

United States Patent [19]

Schuldenfrei et al.

[11] **Des. 245,866**

[45] ** **Sept. 20, 1977**

[54] **KIOSK**

[76] Inventors: **John Schuldenfrei**, 67 Highfield Gardens, London N.W. 11; **Raymond Saadiah Turner**, 2 Hartfield Avenue, Elstree, Hertfordshire, both of England

[**] Term: **14 Years**

[21] Appl. No.: **677,733**

[22] Filed: **Apr. 16, 1976**

[30] **Foreign Application Priority Data**

Feb. 24, 1976 United Kingdom 974617/76

[51] Int. Cl. **D25-99**

[52] U.S. Cl. **D25/10**

[58] Field of Search **D25/1, 7, 10, 16, 19, D25/31; D6/146, 147, 85, 59, 144, 148**

[56]

References Cited

U.S. PATENT DOCUMENTS

D. 64,743	5/1924	Gerson	D25/10
D. 68,981	12/1925	McInroy	D25/19
D. 236,397	8/1975	Kramer	D6/146
D. 240,778	8/1976	Mason	D6/85 X

Primary Examiner—A. Hugo Word
Attorney, Agent, or Firm—John M. Prutzman

[57]

CLAIM

The ornamental design for a kiosk, as shown and described.

DESCRIPTION

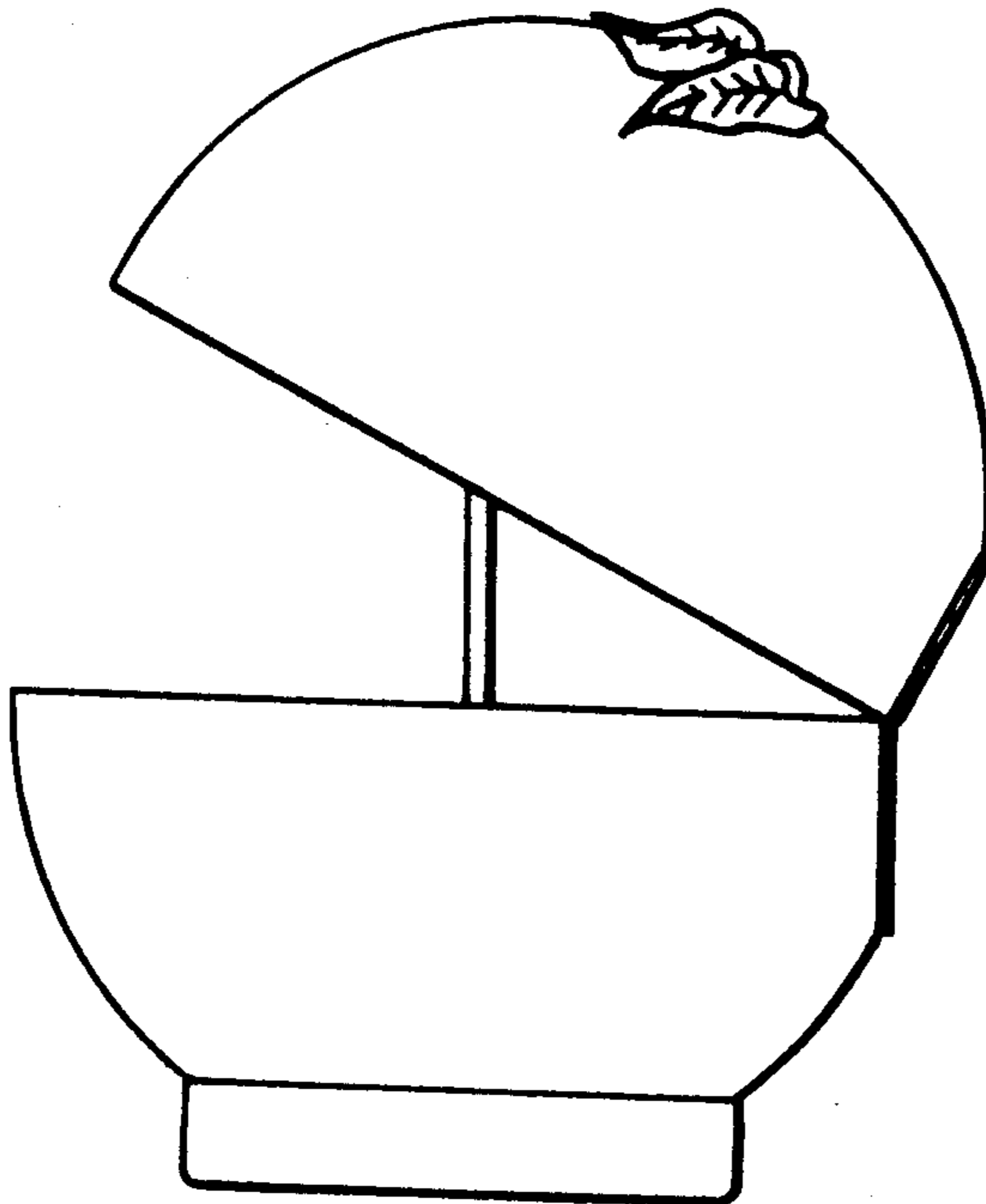
FIG. 1 is a front view

FIG. 2 is a plan view

FIG. 3 is a rear view

FIG. 4 is a side view (other side corresponds)

FIG. 5 is an underneath view.



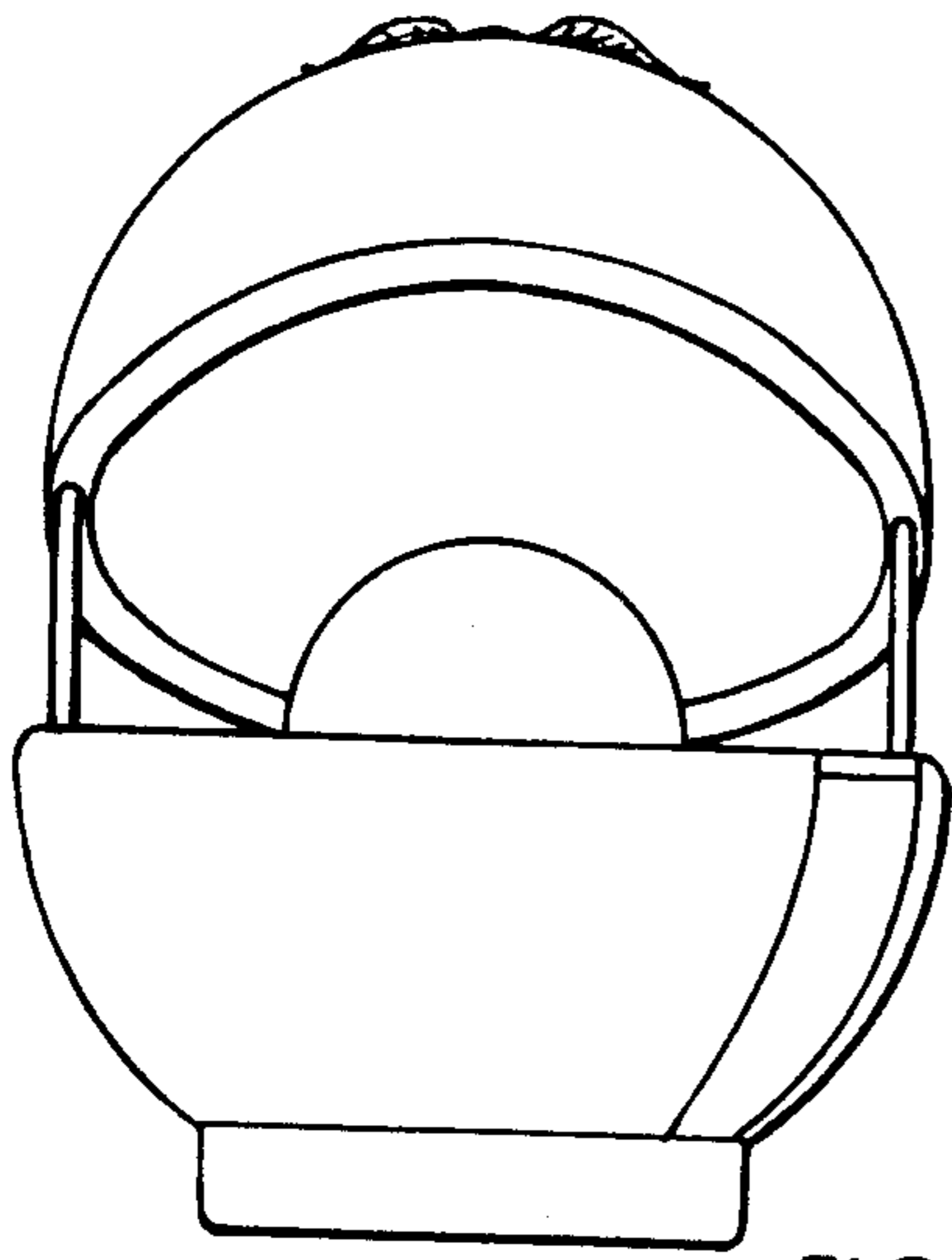


FIG. 1.

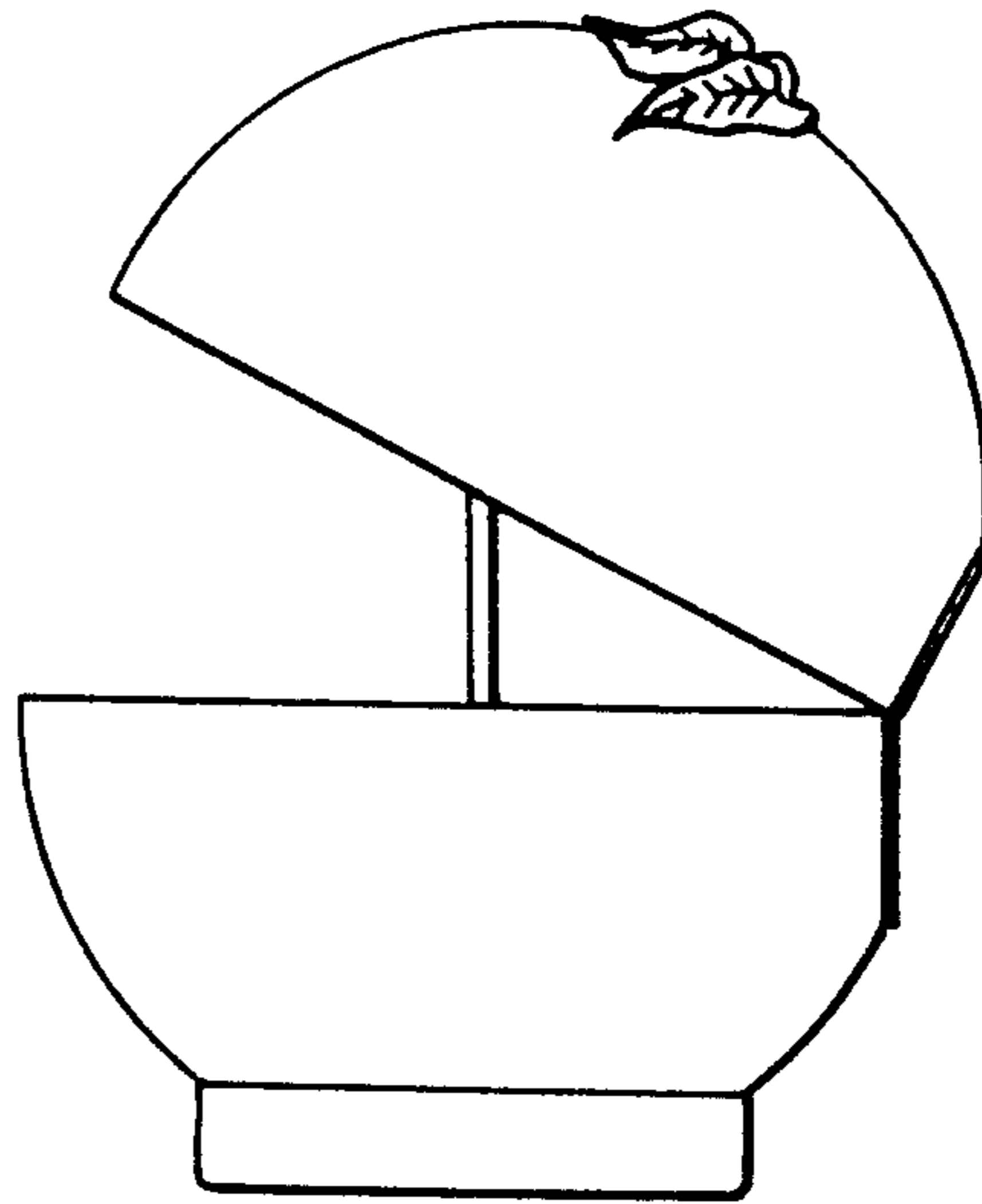


FIG. 4.

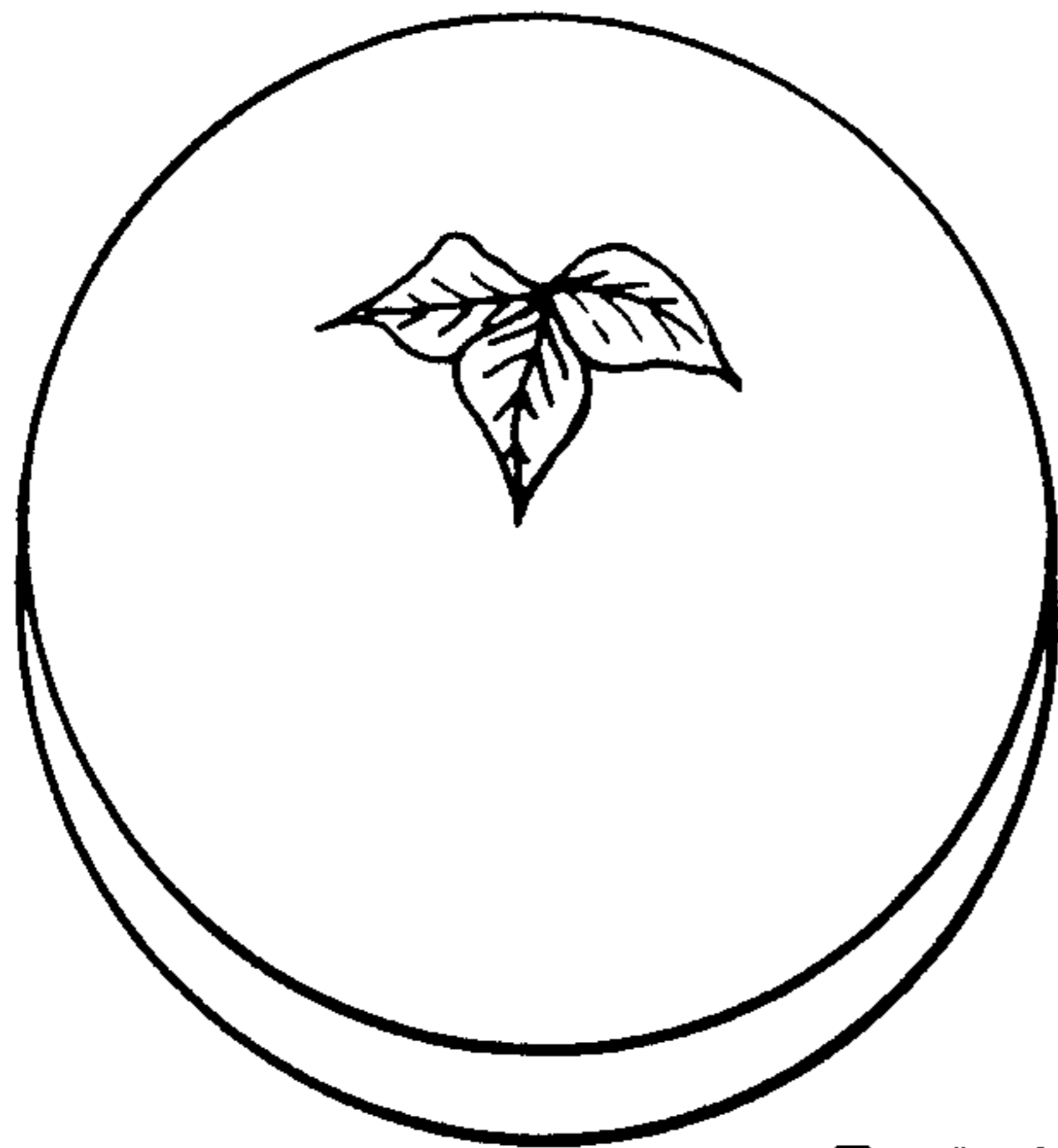


FIG. 2.

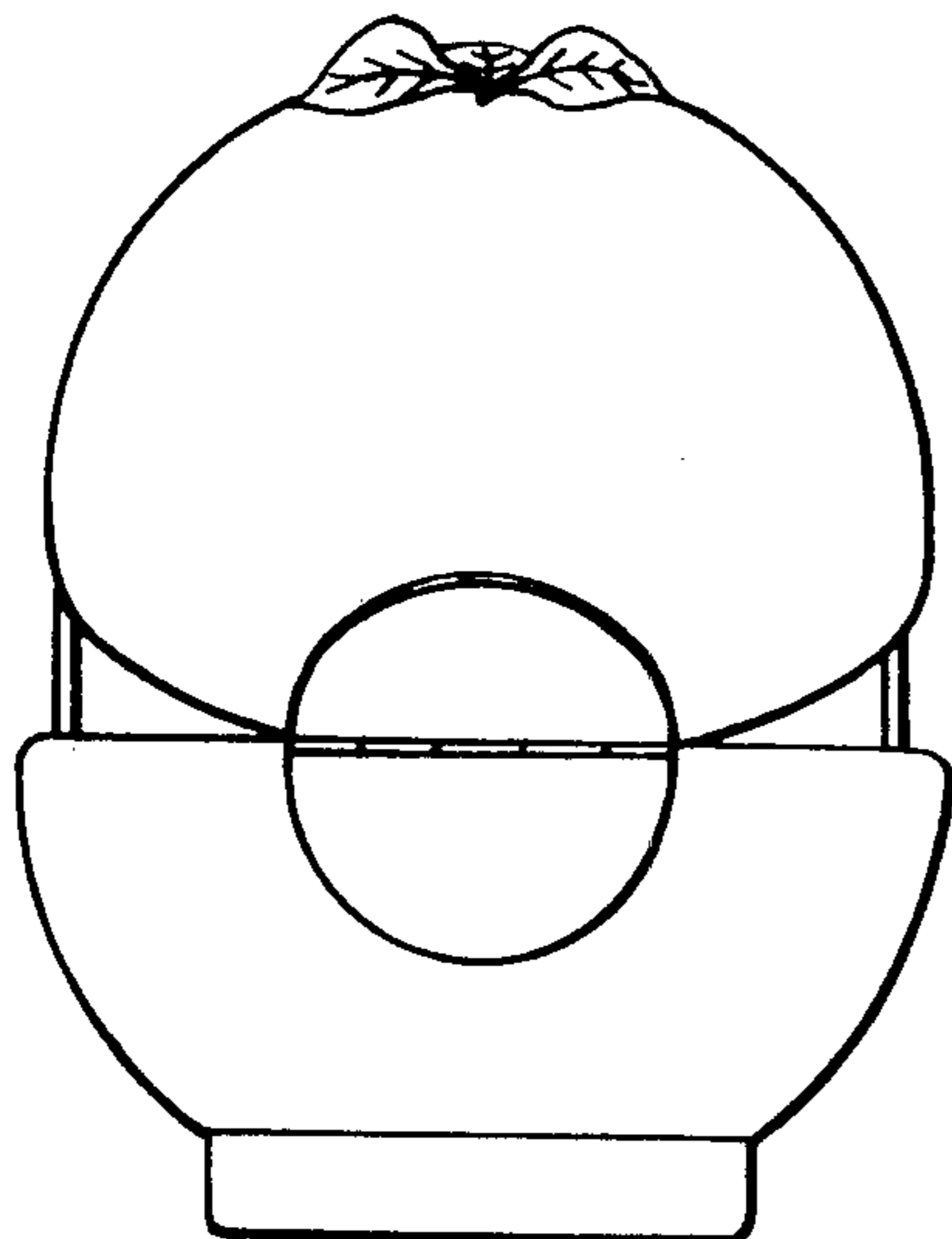


FIG. 3.

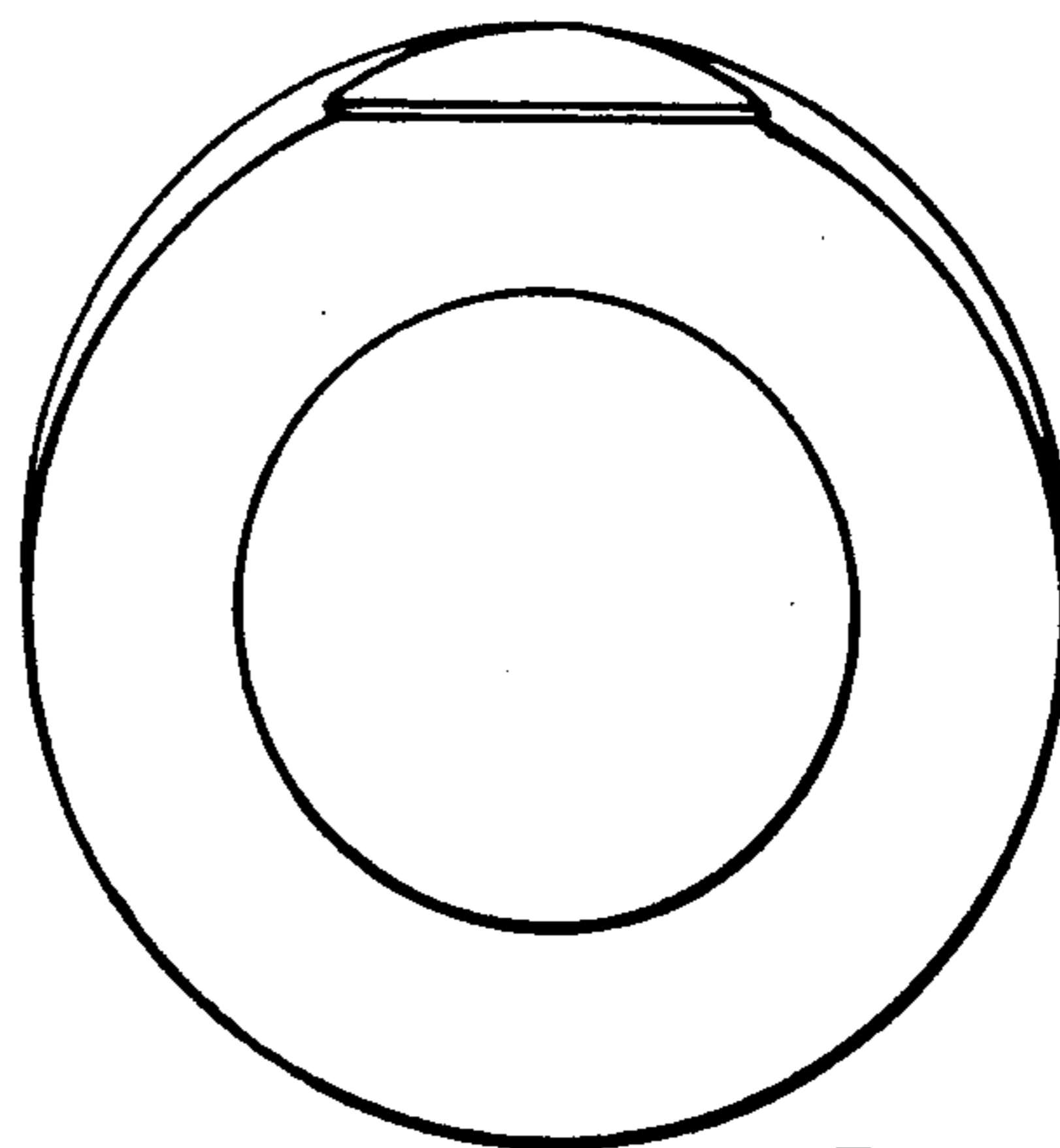


FIG. 5.