

[54] CRUSHING PLANT

[75] Inventor: Lars Sture Bostrom, Umea, Sweden

[73] Assignee: Aktiebolaget Robacks Mekaniska, Umea, Sweden

[**] Term: 14 Years

[21] Appl. No.: 681,271

[22] Filed: Apr. 28, 1976

[51] Int. Cl. D25-03

[52] U.S. Cl. D25/3

[58] Field of Search D25/1, 11, 33, 58; 425/88; D15/19

[56]

References Cited

U.S. PATENT DOCUMENTS

3,407,457	10/1968	Blom	425/88
3,499,069	3/1970	Seigle	425/88 X
3,716,267	2/1973	Lindsay	D25/58
D. 239,527	4/1976	Bostrom et al.	D25/3

Primary Examiner—A. Hugo Word

Attorney, Agent, or Firm—Eric H. Waters

[57]

CLAIM

The ornamental design for a crushing plant, as shown.

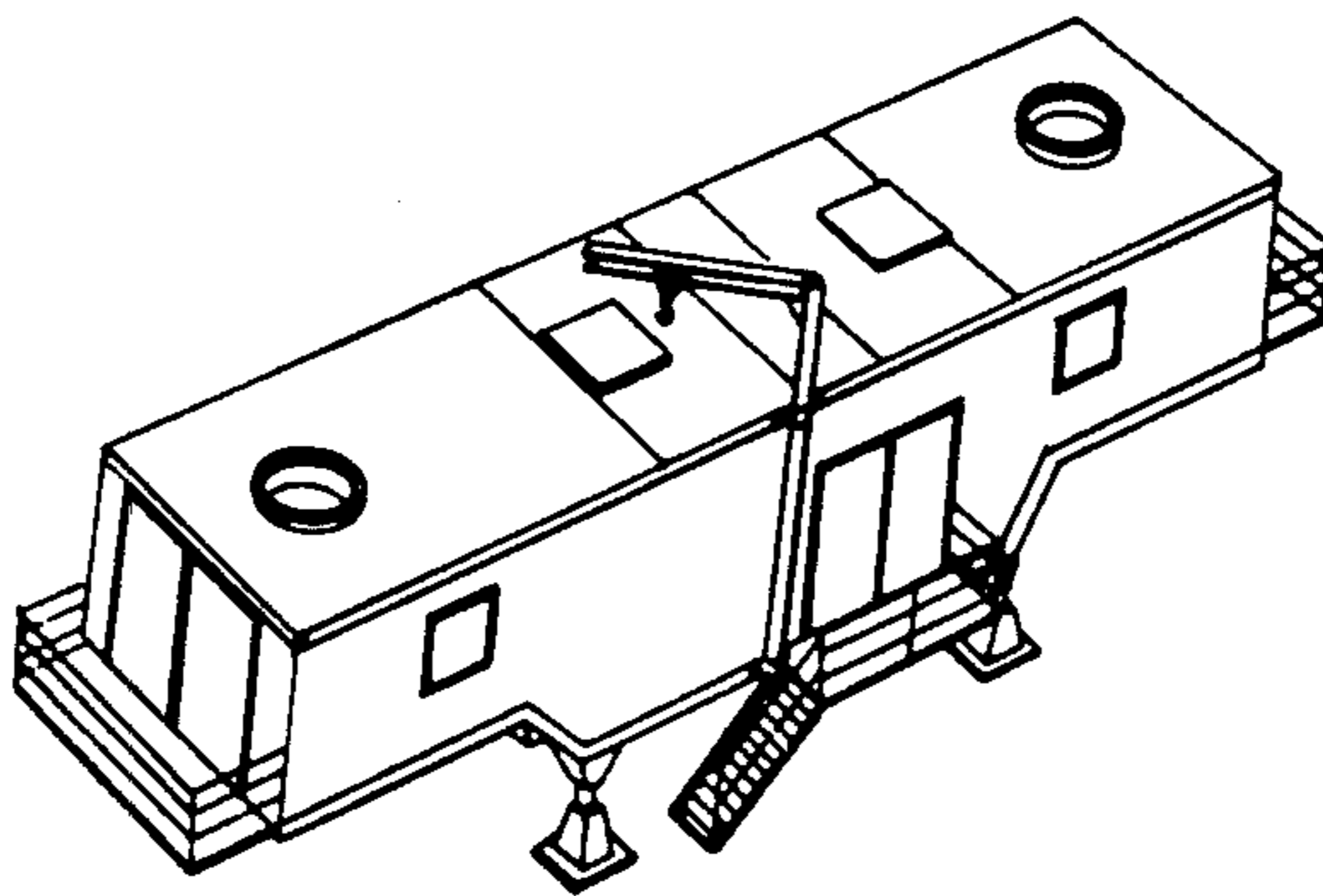
DESCRIPTION

FIG. 1 is a left front perspective view of a crushing plant showing my new design;

FIG. 2 is a right front perspective view thereof;

FIG. 3 is a rear perspective view thereof; and,

FIG. 4 is another rear perspective view thereof.



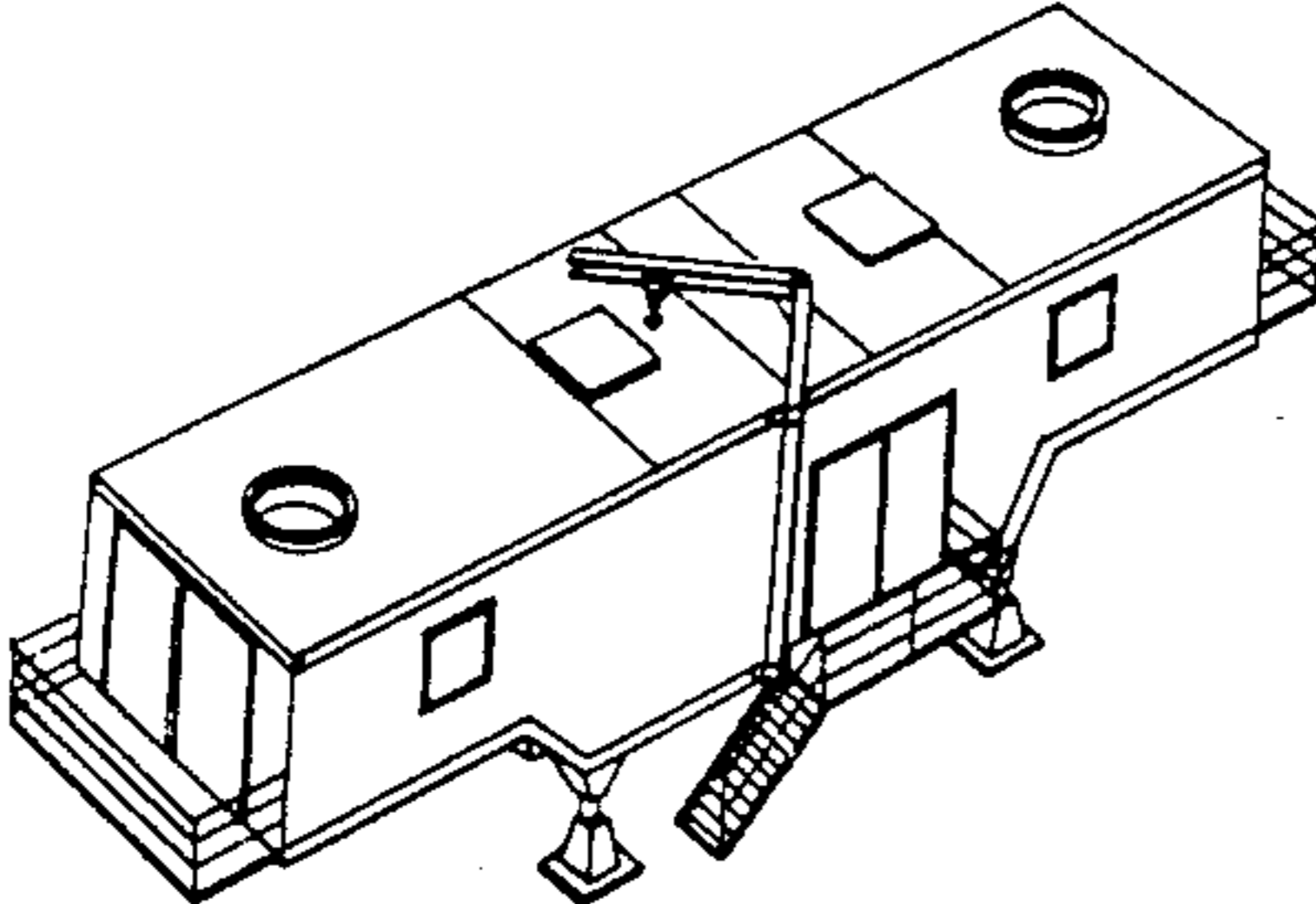


FIG. 1

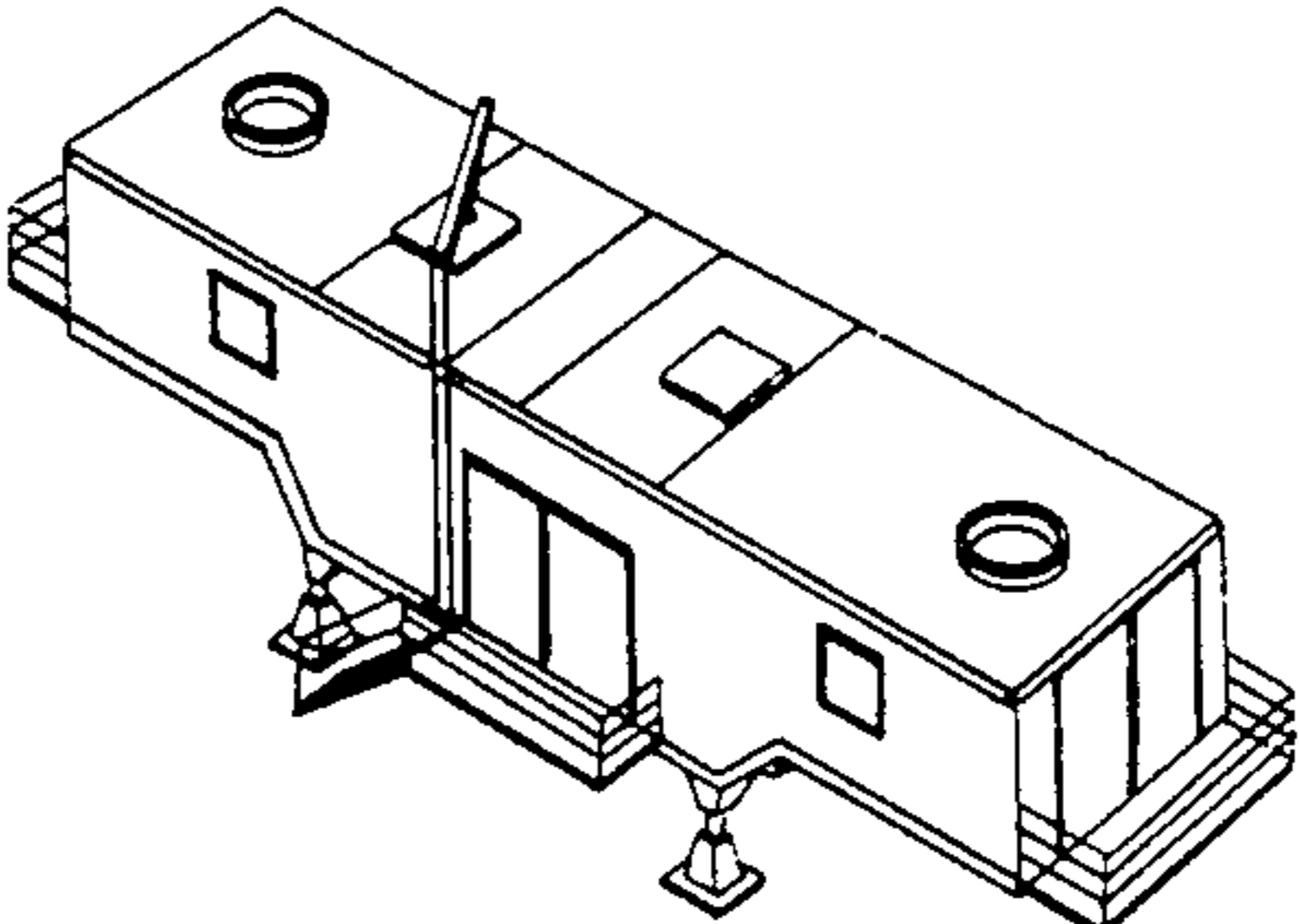


FIG. 2

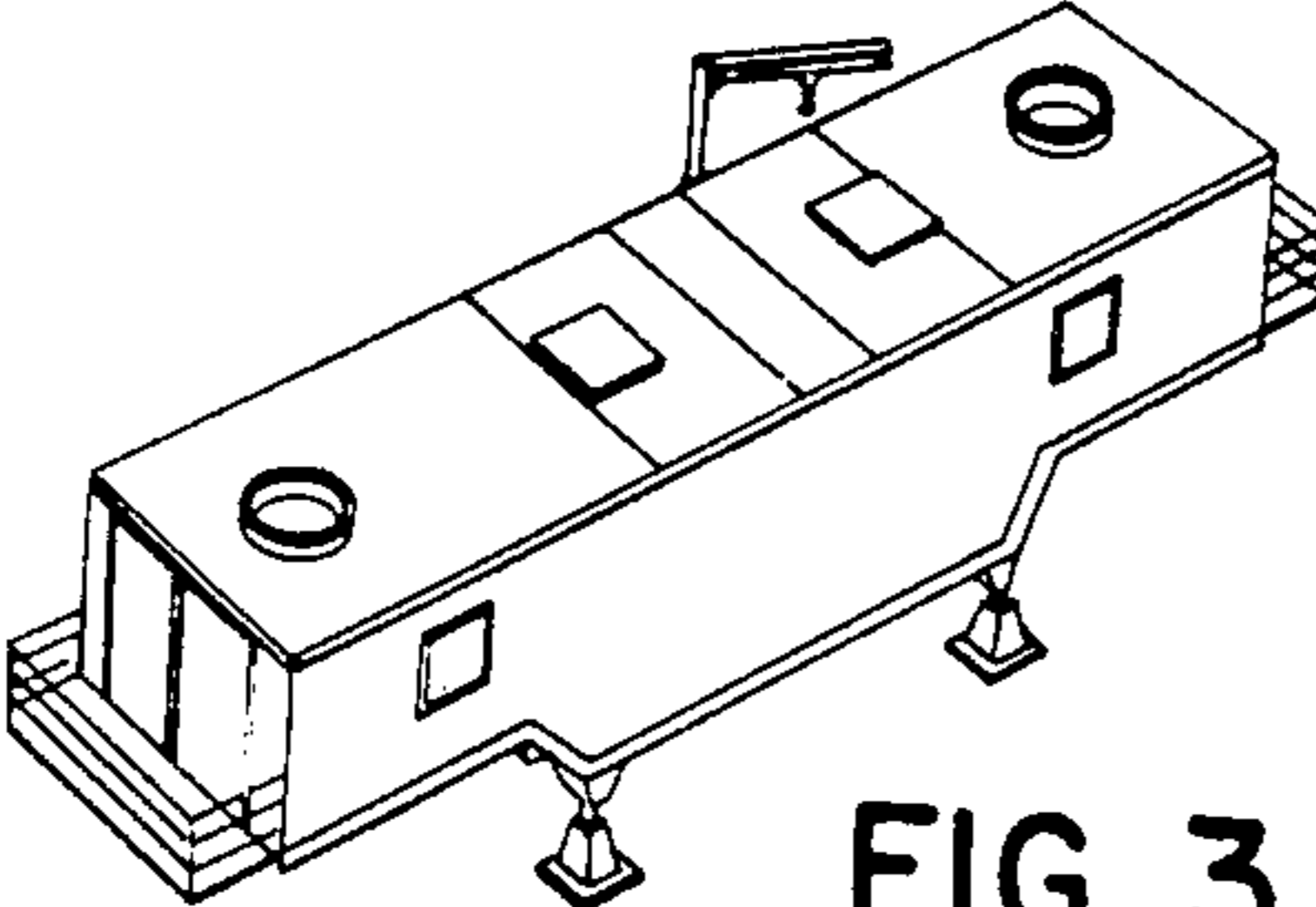


FIG. 3

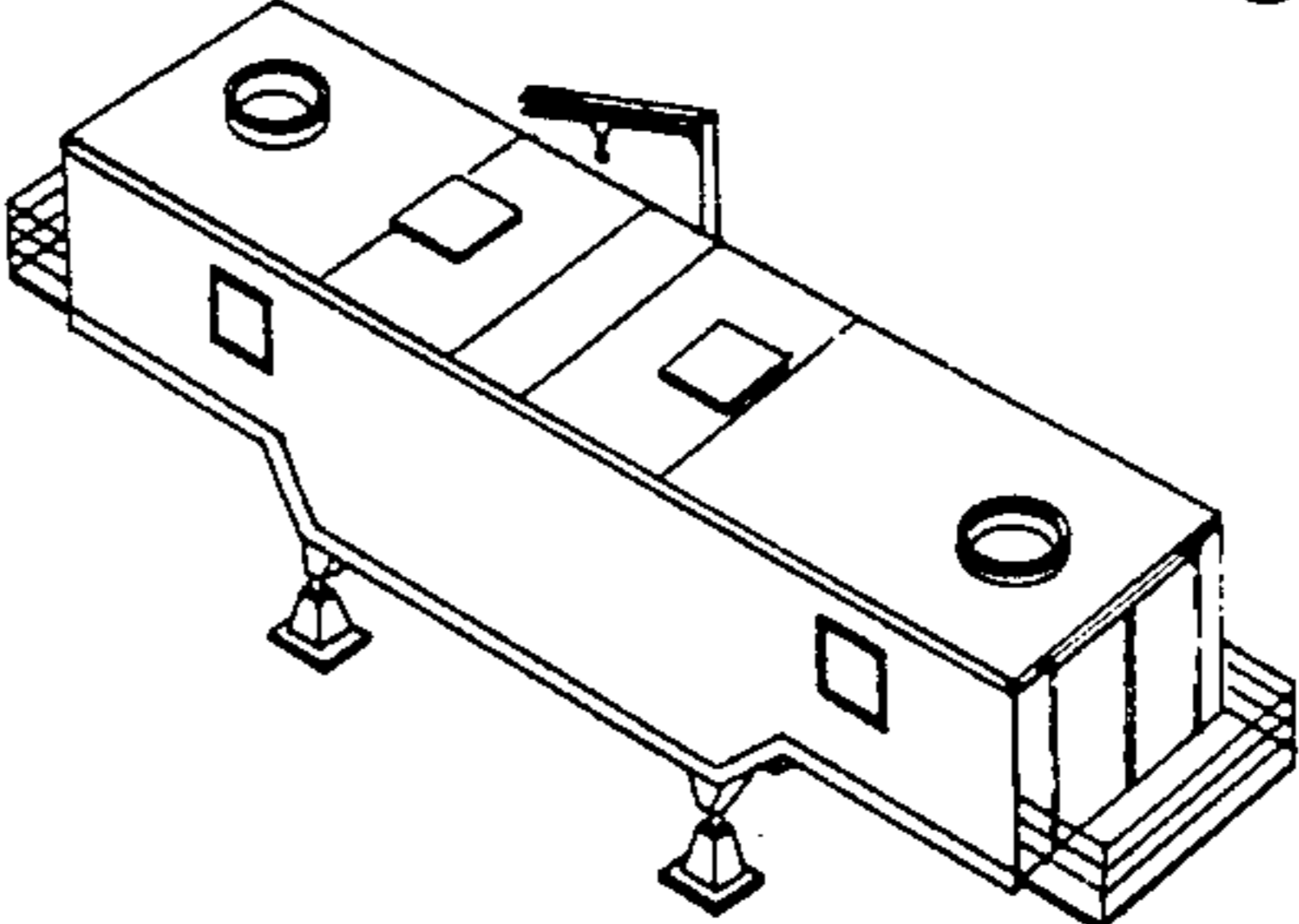


FIG. 4