

[54] **SHOWERHEAD**
[75] Inventor: **Clifford E. Grube, Niles, Ill.**
[73] Assignee: **Associated Mills, Inc., Chicago, Ill.**
[**] Term: **14 Years**
[21] Appl. No.: **742,208**
[22] Filed: **Nov. 15, 1976**
[51] Int. Cl. **D23-01**
[52] U.S. Cl. **D23/35**
[58] Field of Search **D23/34-39;**
239/102, 383, 394, 446, 447, 588

[56] **References Cited**
U.S. PATENT DOCUMENTS
3,762,648 10/1973 Deines et al. 239/383
3,801,019 4/1974 Trenary et al. 239/383
3,958,756 5/1976 Trenary et al. 239/102

3,998,390 12/1976 Peterson et al. 239/394
D. 235,445 6/1975 MacKay et al. D23/35
D. 235,997 7/1975 Johnson D23/35
D. 240,429 7/1976 Grube D23/35

Primary Examiner—James R. Largen
Attorney, Agent, or Firm—George B. Newitt

[57] **CLAIM**

The ornamental design for a showerhead, as shown and described.

DESCRIPTION

FIG. 1 is a perspective view of a showerhead showing my new design;
FIG. 2 is a front elevational view thereof;
FIG. 3 is a side elevational view thereof, the other side being a mirror image of the side shown;
FIG. 4 is a rear elevational view thereof;
FIG. 5 is a top plan view thereof; and
FIG. 6 is a bottom plan view thereof.

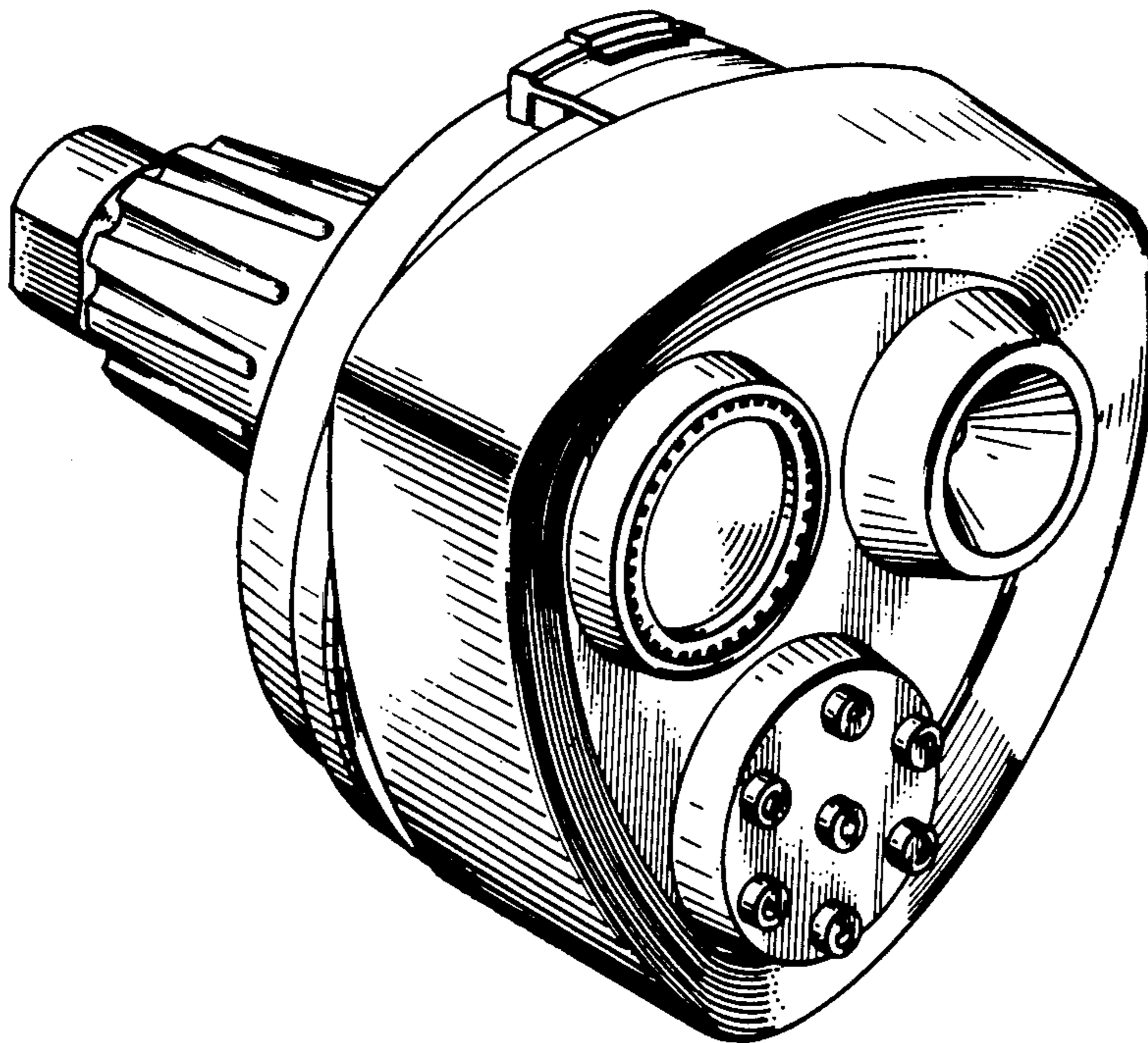


Fig. 1

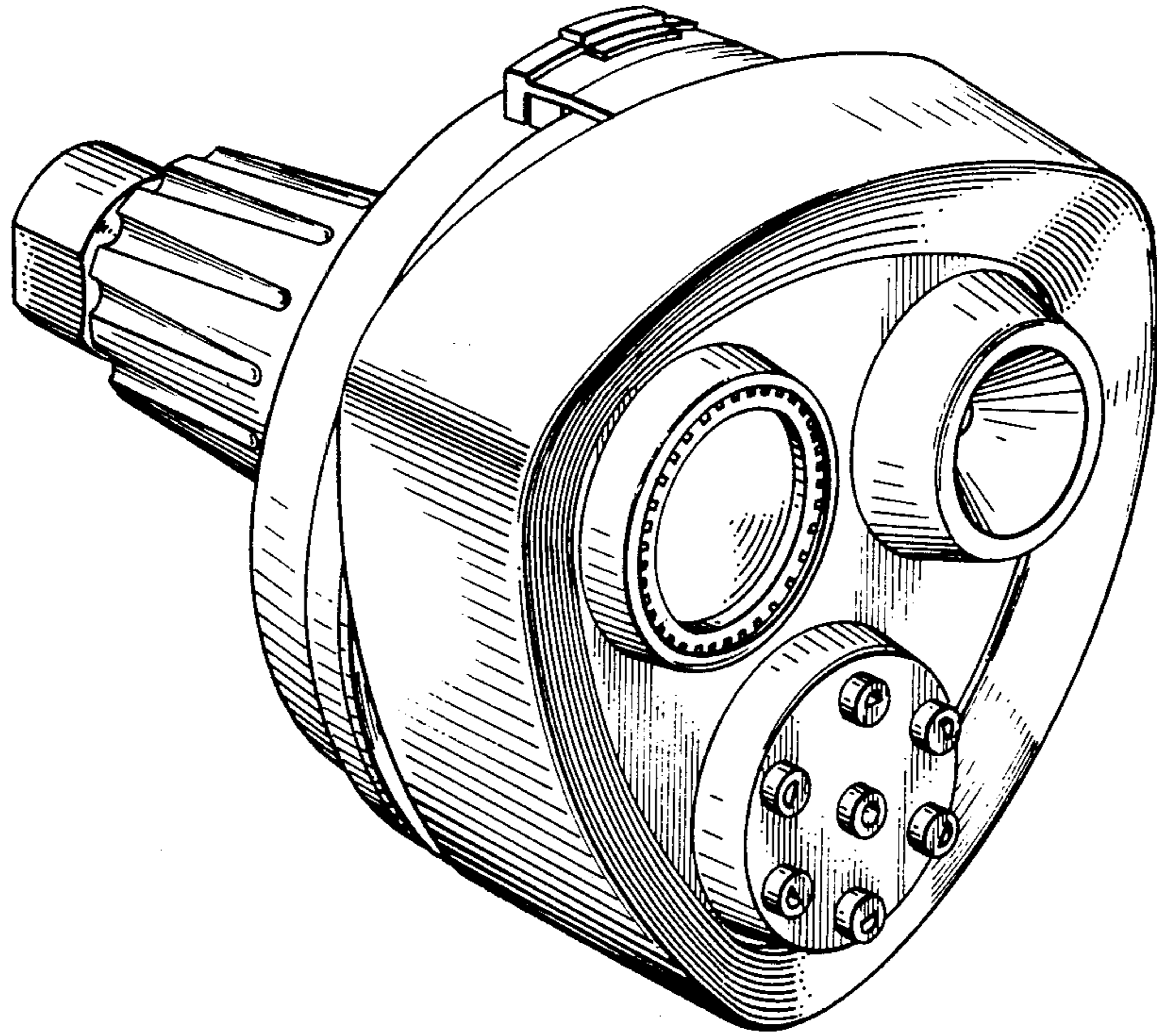
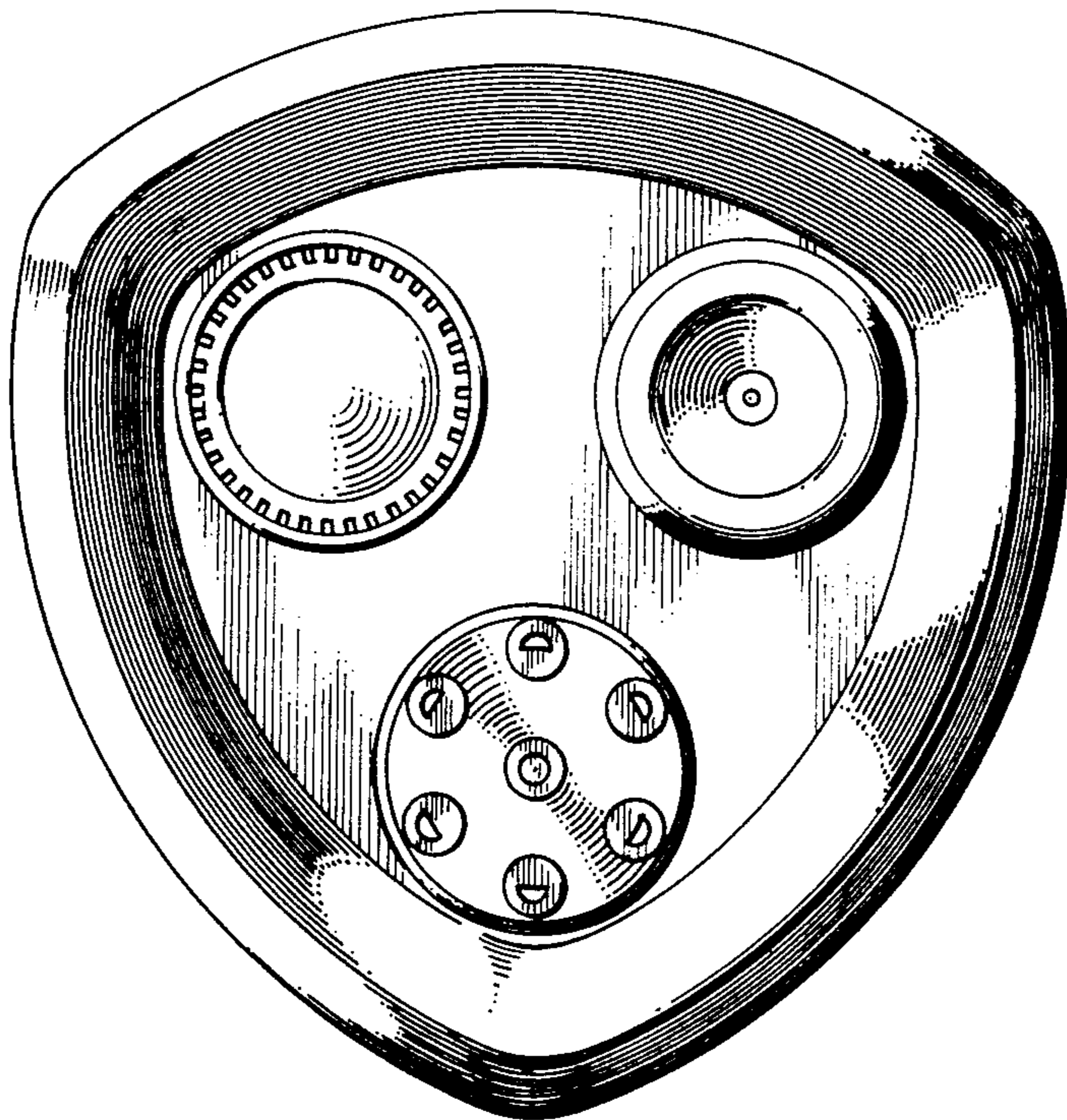


Fig. 2



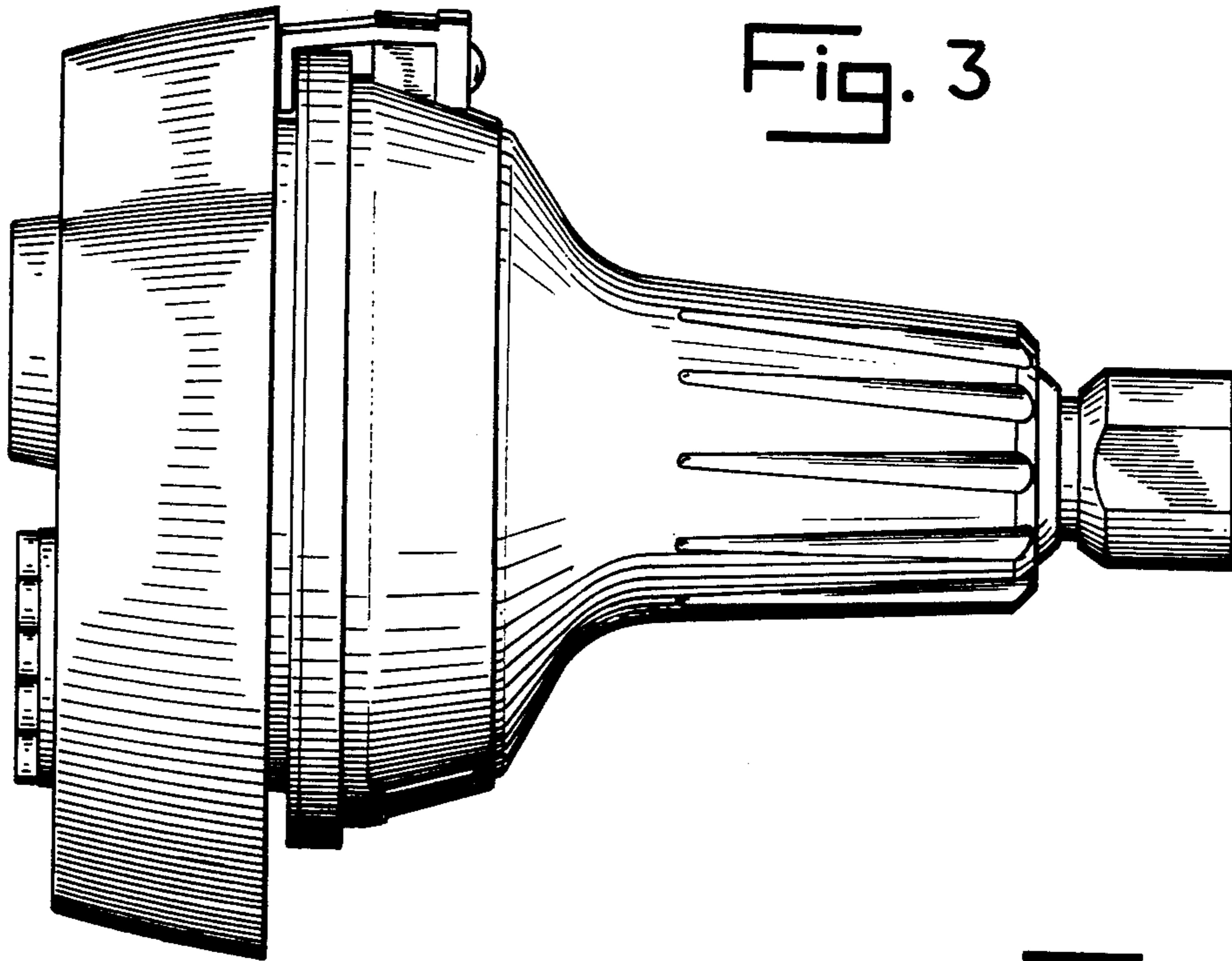
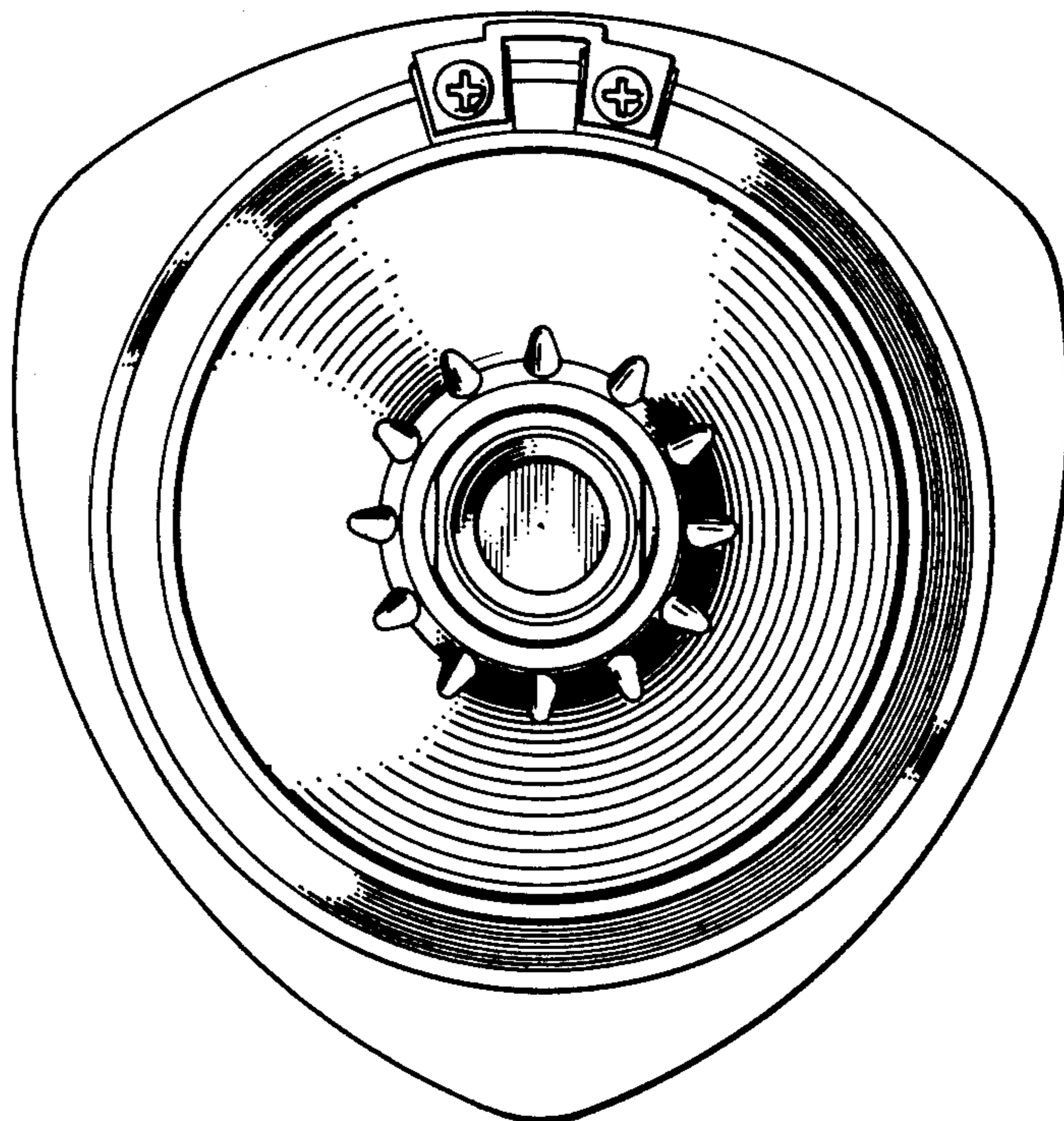


Fig. 3

Fig. 4



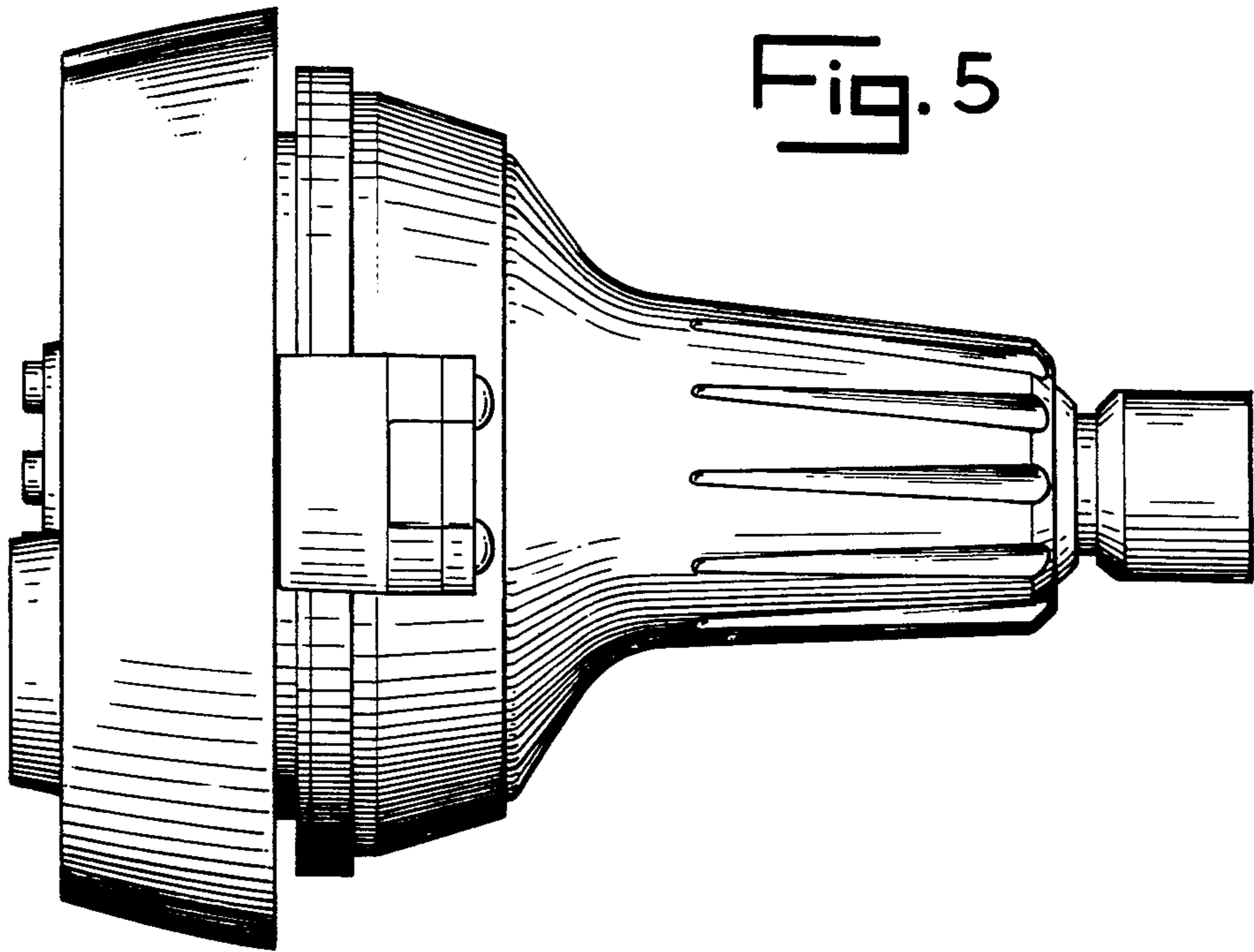


Fig. 5

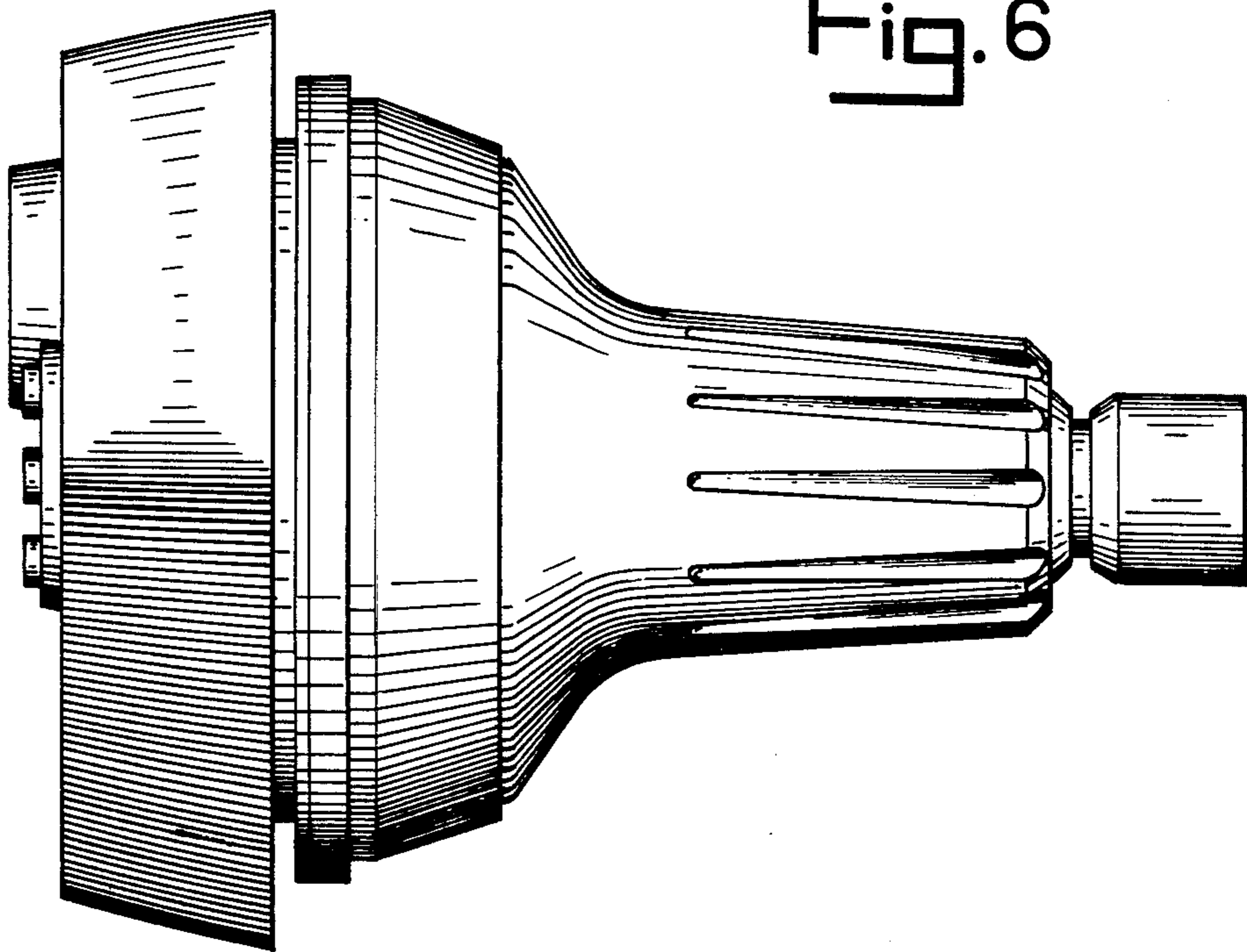


Fig. 6