

[54] **HANDHELD SHOWERHEAD**  
 [75] **Inventor:** Clifford E. Grube, Niles, Ill.  
 [73] **Assignee:** Associated Mills, Inc., Chicago, Ill.  
 [\*\*] **Term:** 14 Years  
 [21] **Appl. No.:** 742,206  
 [22] **Filed:** Nov. 15, 1976  
 [51] **Int. Cl.** ..... D23-01  
 [52] **U.S. Cl.** ..... D23/35  
 [58] **Field of Search** ..... D23/34-39;  
 239/102, 383, 394, 446, 447, 588

3,998,390 12/1976 Peterson et al. .... 239/394  
 D. 224,834 9/1972 Landell ..... D23/35  
 D. 237,708 11/1975 Grohe ..... D23/35  
 D. 240,430 7/1976 Grube ..... D23/35  
 D. 241,546 9/1976 Rizzuto ..... D23/35

*Primary Examiner*—James R. Largen  
*Attorney, Agent, or Firm*—George B. Newitt

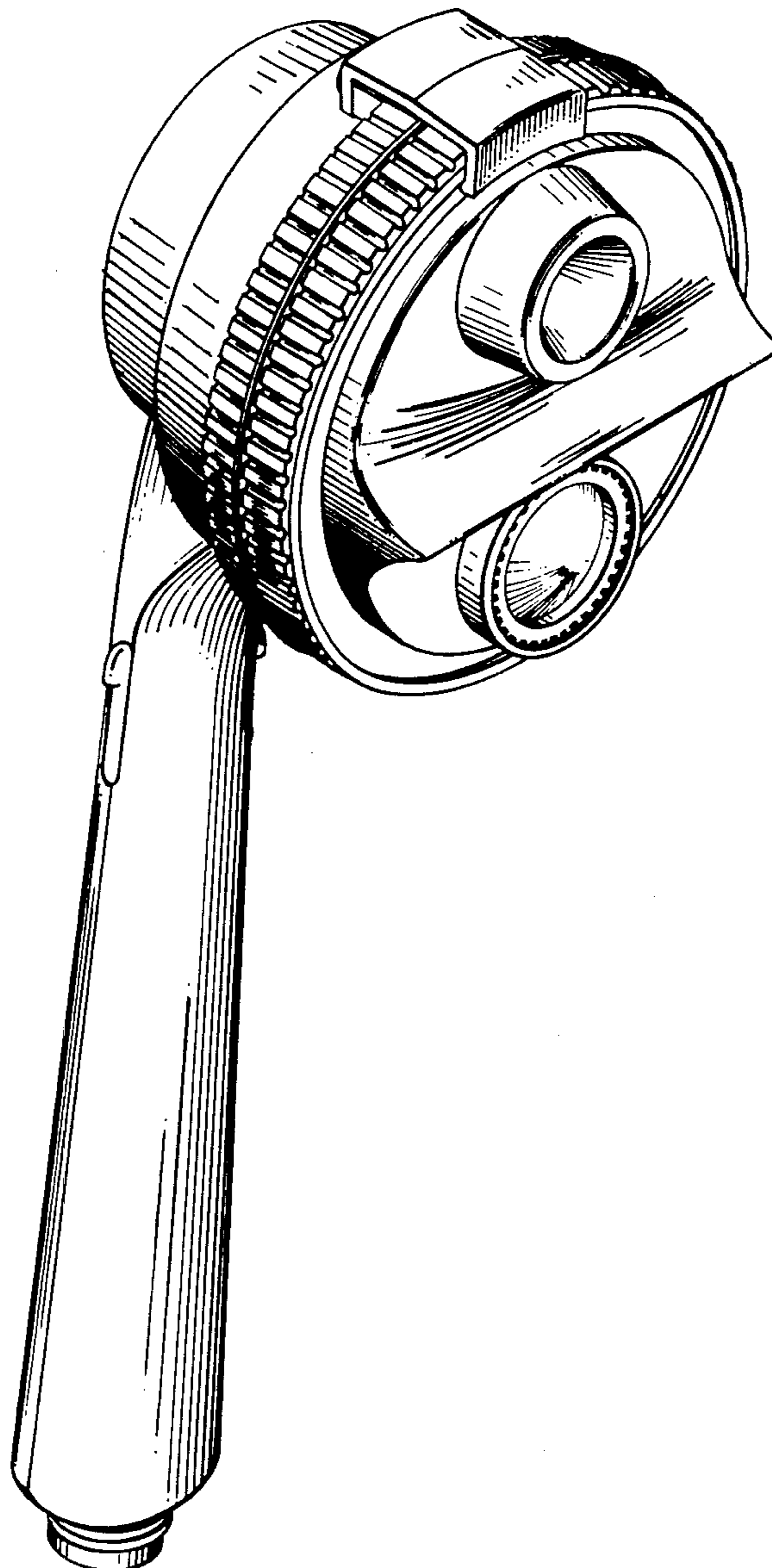
[57] **CLAIM**

The ornamental design for a handheld showerhead, as shown and described.

**DESCRIPTION**

FIG. 1 is a perspective view of a handheld showerhead showing my new design;  
 FIG. 2 is a front elevational view thereof, a portion of the handle being broken away for convenience of illustration;  
 FIG. 3 is a side elevational view thereof, the other side being a mirror image of the side shown;  
 FIG. 4 is a rear elevational view thereof;  
 FIG. 5 is a top plan view thereof; and  
 FIG. 6 is a bottom plan view thereof.

[56] **References Cited**  
**U.S. PATENT DOCUMENTS**  
 3,637,143 1/1972 Shames et al. .... 239/588  
 3,776,469 12/1973 Joannon ..... 239/446  
 3,801,019 4/1974 Trenary et al. .... 239/383  
 3,830,432 8/1974 Grohe ..... 239/394  
 3,865,310 2/1975 Elkins et al. .... 239/588  
 3,929,287 12/1975 Givler et al. .... 239/102



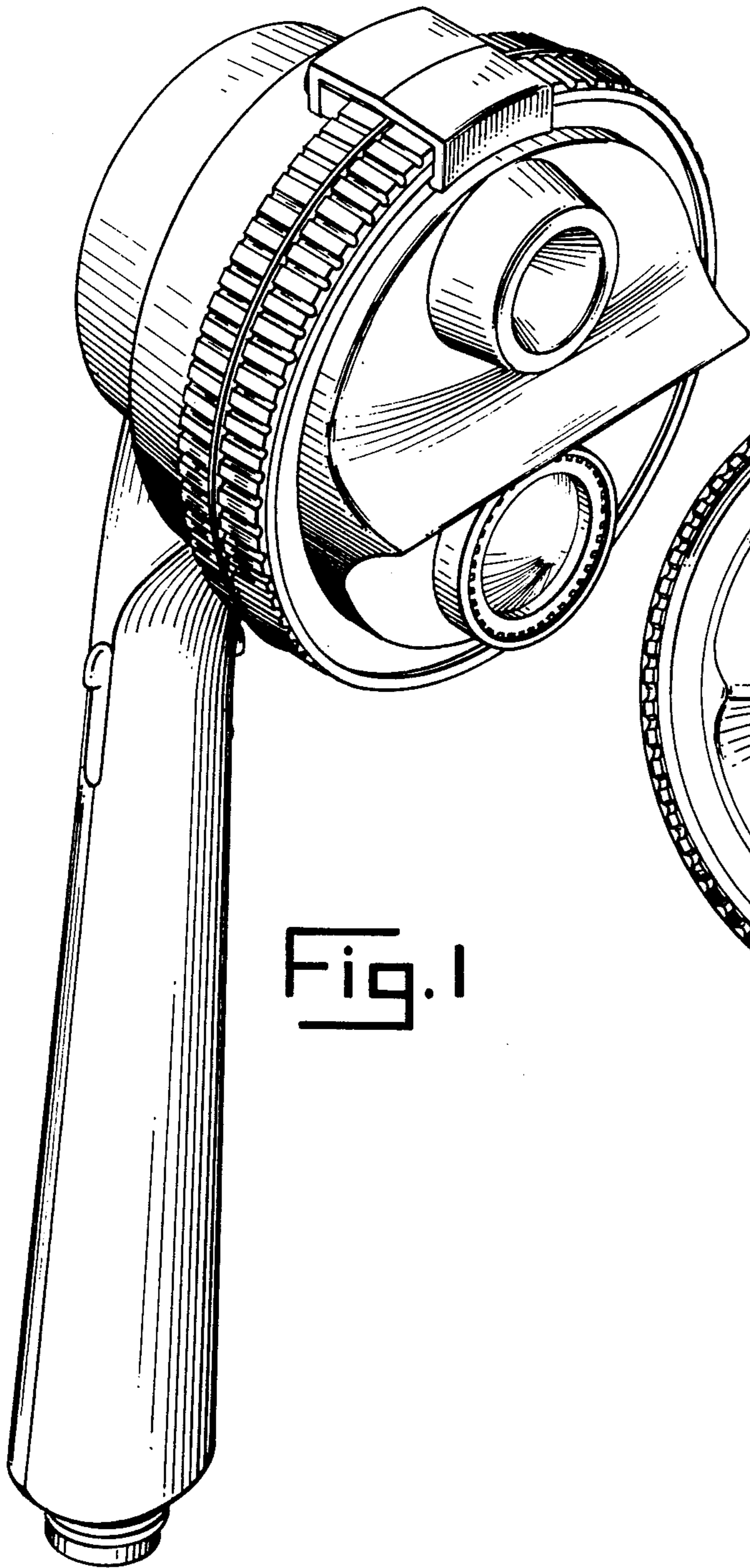


Fig. 1

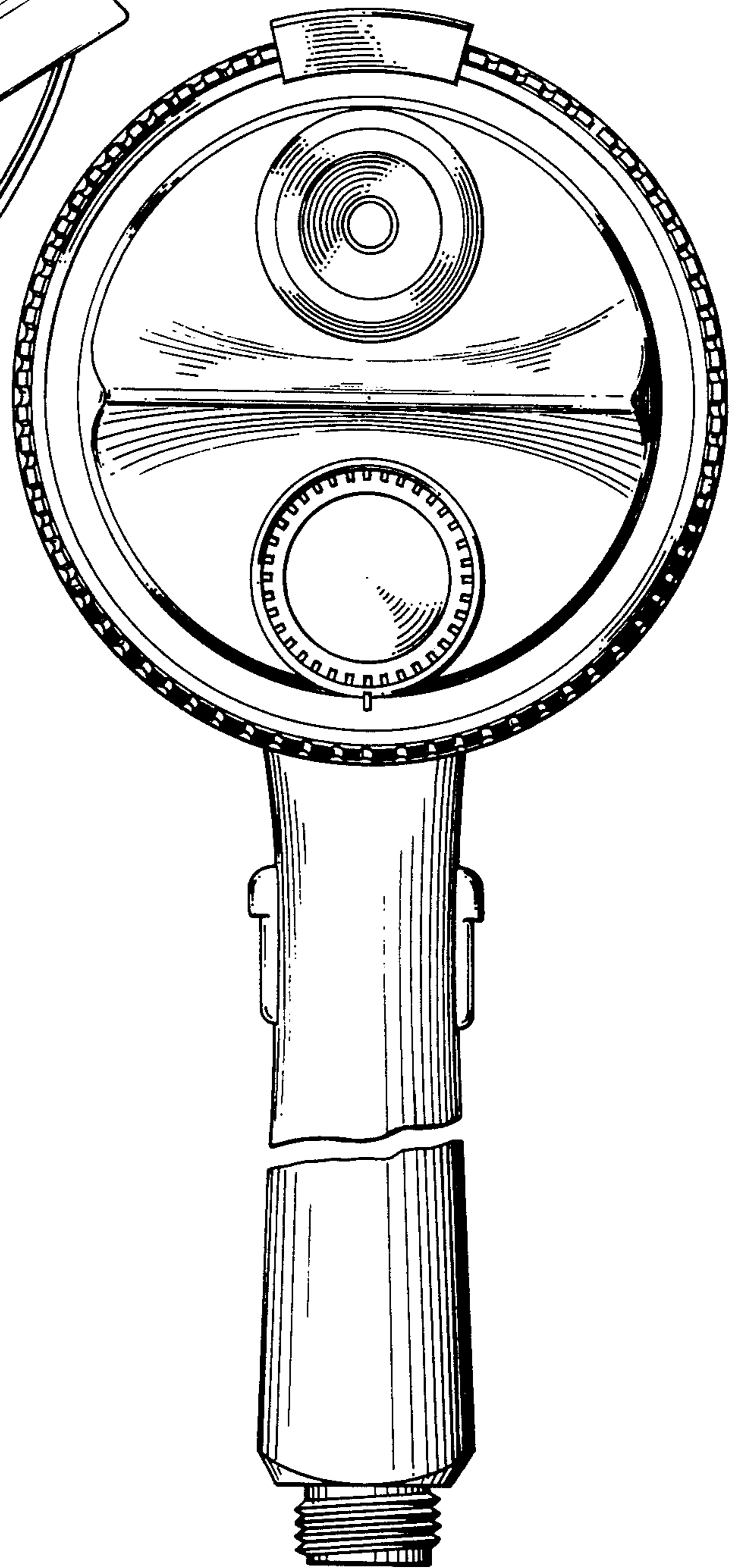


Fig. 2

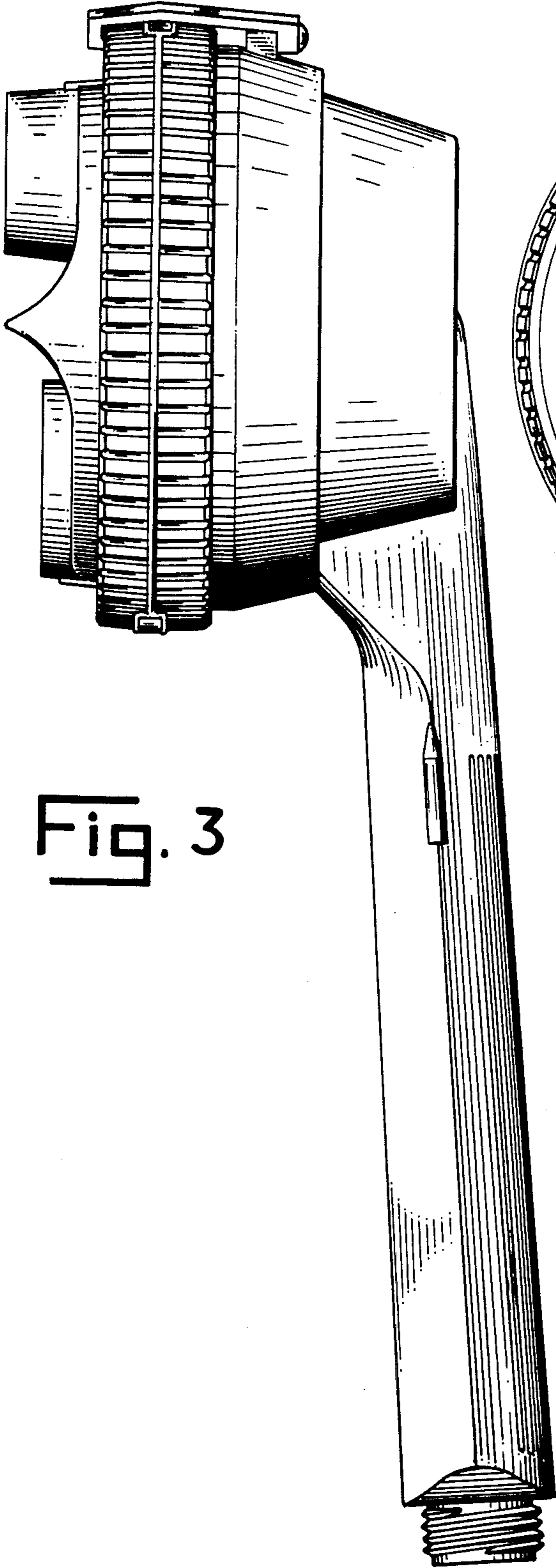


Fig. 3

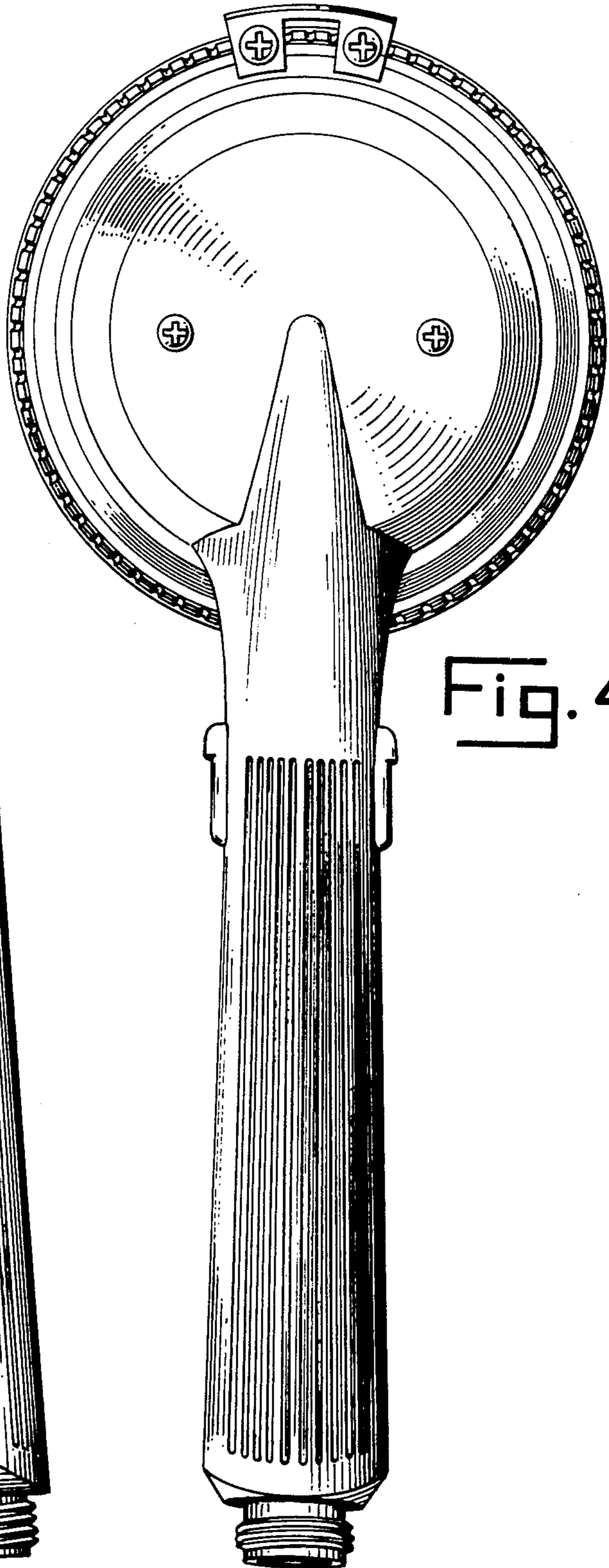


Fig. 4

Fig. 5

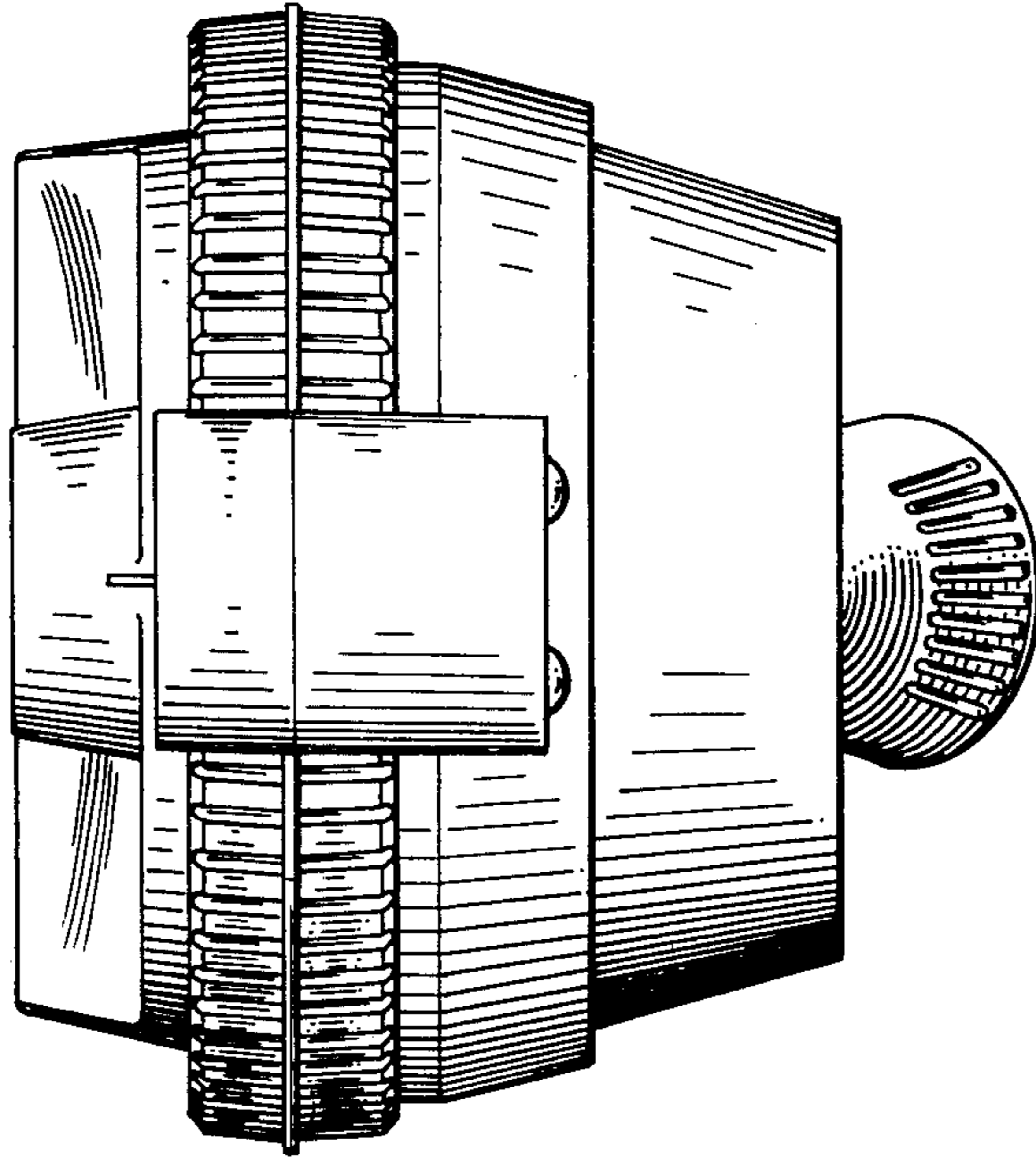


Fig. 6

