

- [54] **SCALP MASSAGE ATTACHMENT FOR A HANDHELD SHOWERHEAD**
 [75] Inventor: **Clifford E. Grube, Niles, Ill.**
 [73] Assignee: **Associated Mills, Inc., Chicago, Ill.**
 [**] Term: **14 Years**
 [21] Appl. No.: **733,077**
 [22] Filed: **Oct. 18, 1976**
 [51] Int. Cl. **D23—01**
 [52] U.S. Cl. **D23/35**
 [58] Field of Search **D23/34—39;**
 D4/2, 19; D24/40, 41; 4/158, 159; 401/6, 8, 30;
 15/22 R, 28, 29, 187, 188, 289; 126/62, 65, 66

[56] **References Cited**

U.S. PATENT DOCUMENTS

2,325,123	7/1943	Isenberg	D23/35
3,032,803	5/1965	Walshauser	128/65 X
3,870,419	3/1975	Sage	401/8
3,910,265	10/1975	Coleman	128/66
3,968,789	7/1976	Simoneini	128/65
D. 166,124	3/1952	Pearce	D4/19
D. 191,692	10/1961	Holden	D23/35
D. 202,405	9/1965	Oppenheimer	D23/35
D. 226,045	1/1973	Yran	D24/41

D. 232,939	9/1974	Levy	D23/35
D. 237,966	12/1975	McNair	D23/35

OTHER PUBLICATIONS

Best Products 1976 Buyer's Book No. 119, p. 249, items G & H.
 1975-1976 Giant Shocase Gift & Jewelry Catalog, p. 224, items F & H.

Primary Examiner—James R. Largen
Attorney, Agent, or Firm—George B. Newitt

[57] **CLAIM**

The ornamental design for a scalp massage attachment for a handheld showerhead, as shown and described.

DESCRIPTION

FIG. 1 is a perspective view of a scalp massage attachment for a handheld showerhead showing my new design;
 FIG. 2 is an elevational view taken from one side thereof, the opposite side being a mirror image of the side shown;
 FIG. 3 is a front elevational view thereof;
 FIG. 4 is a top plan view thereof;
 FIG. 5 is a rear elevational view thereof; and
 FIG. 6 is a cross-sectional view taken along line 6—6 in FIG. 5.

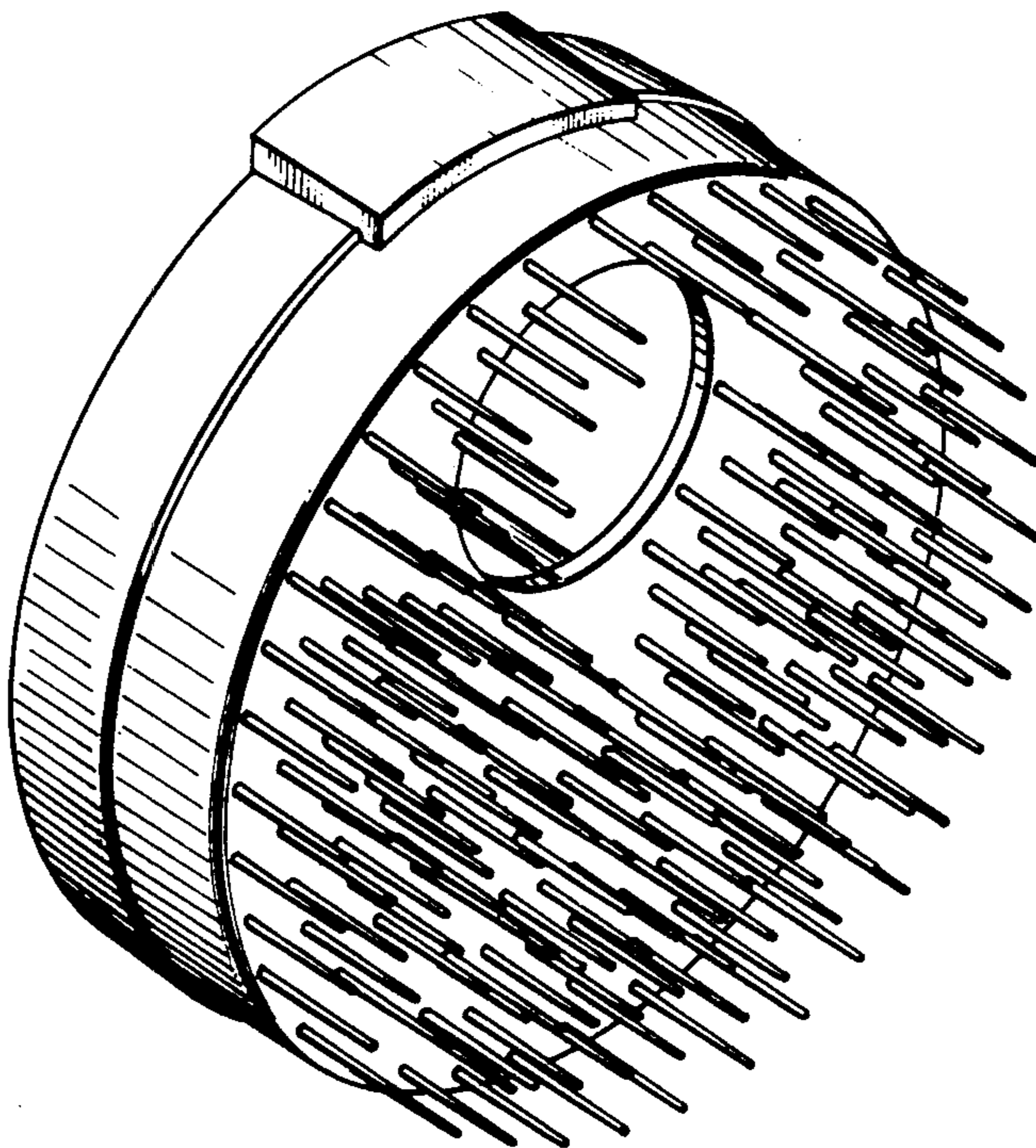


Fig. 1

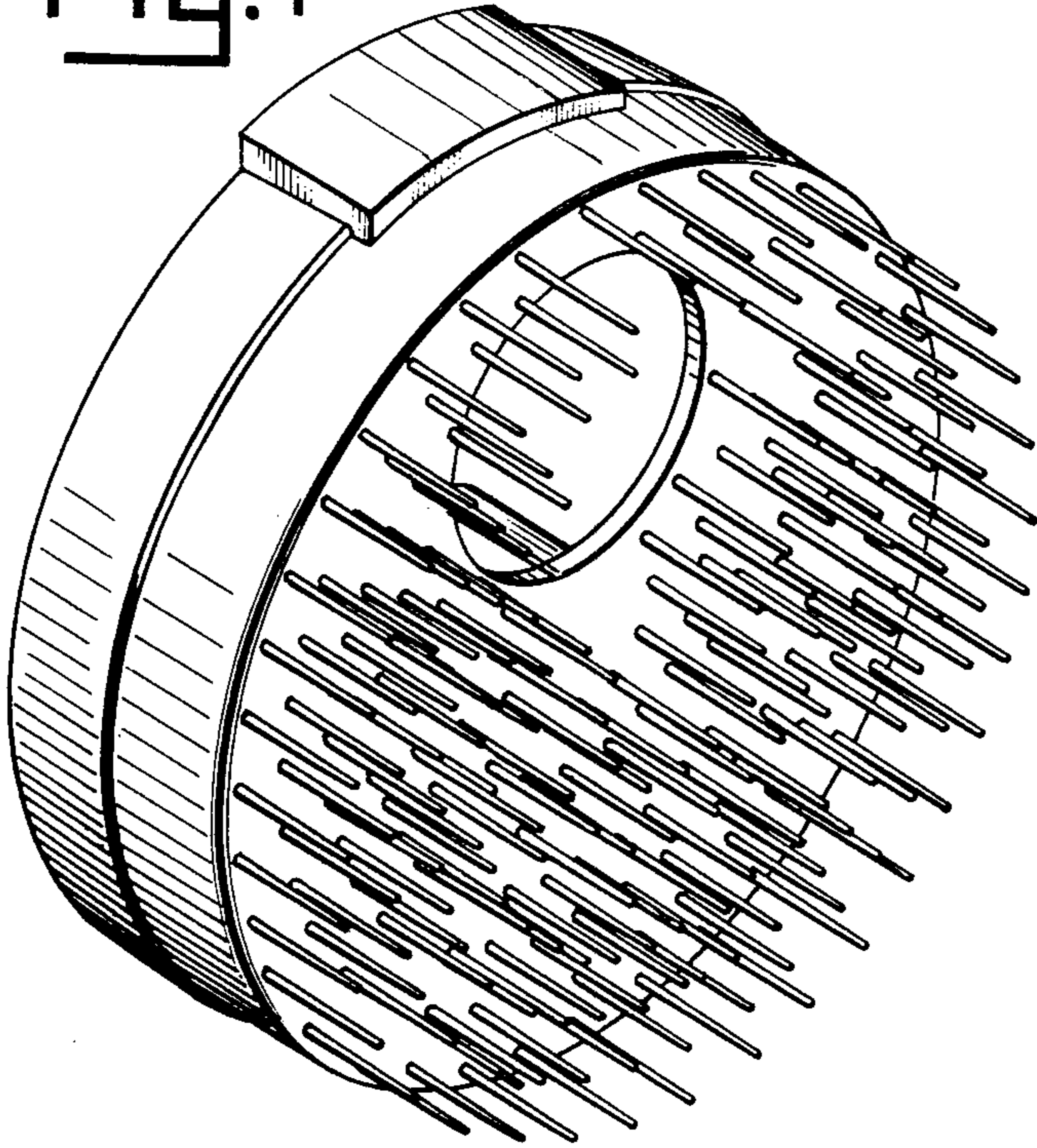


Fig. 2

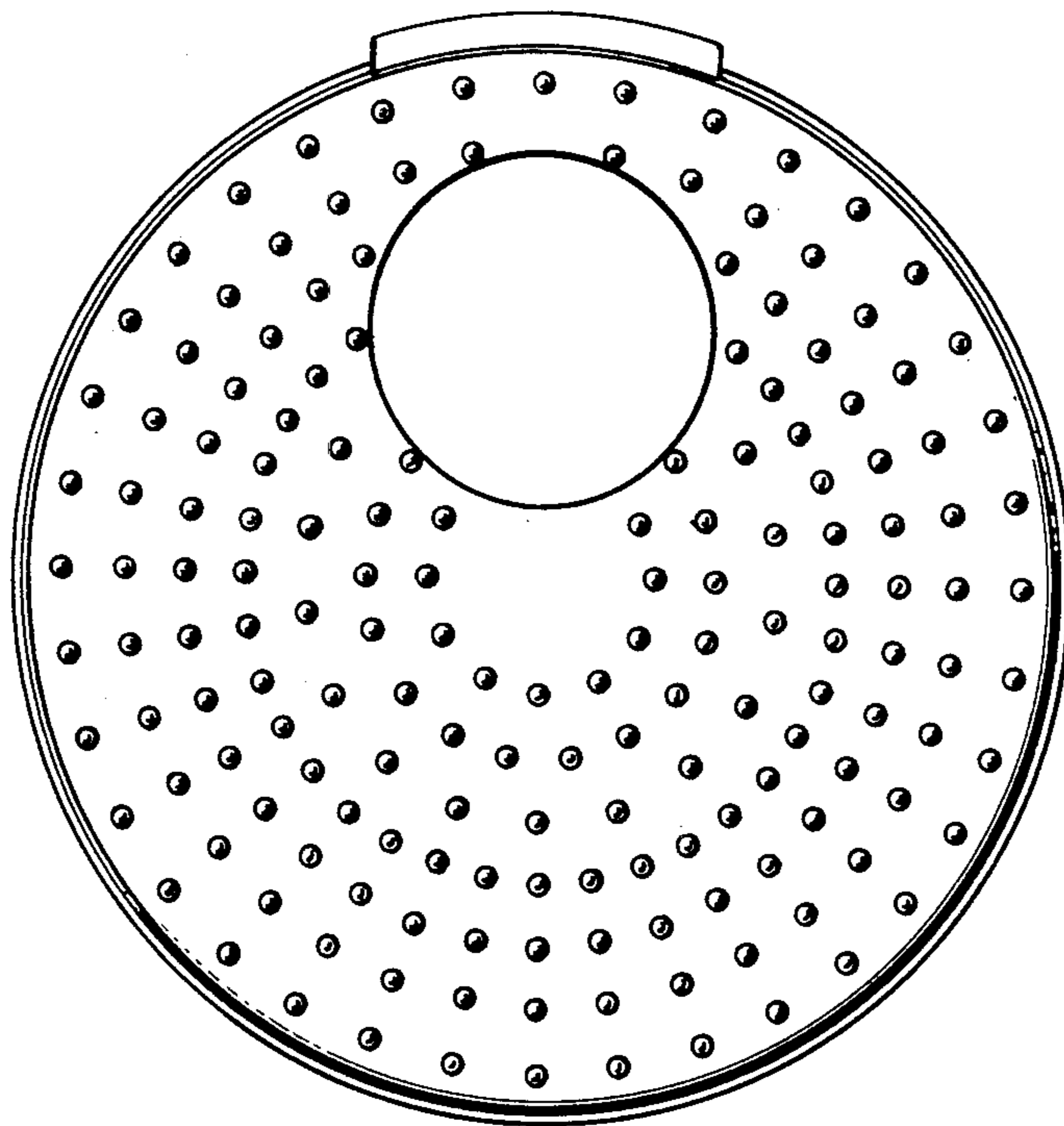
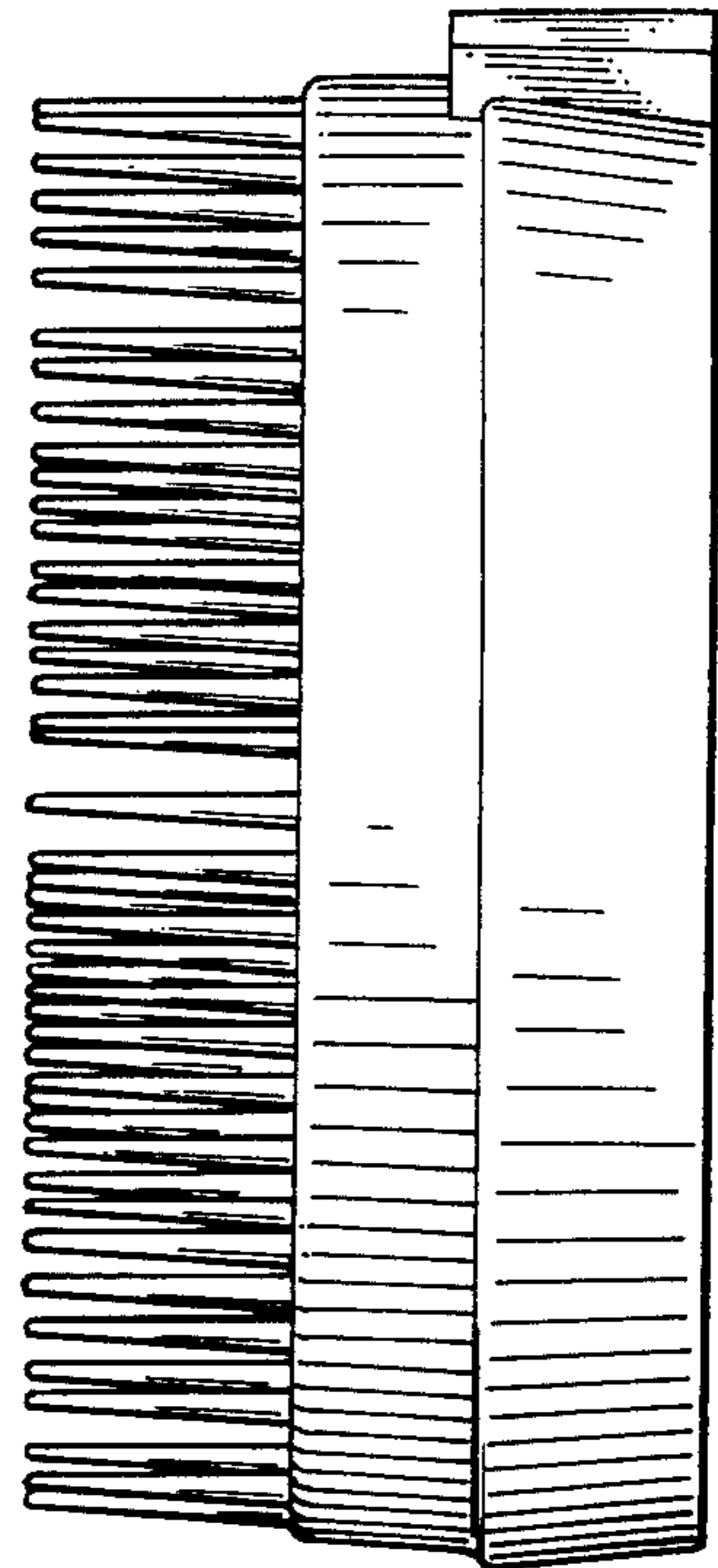


Fig. 3

Fig. 4

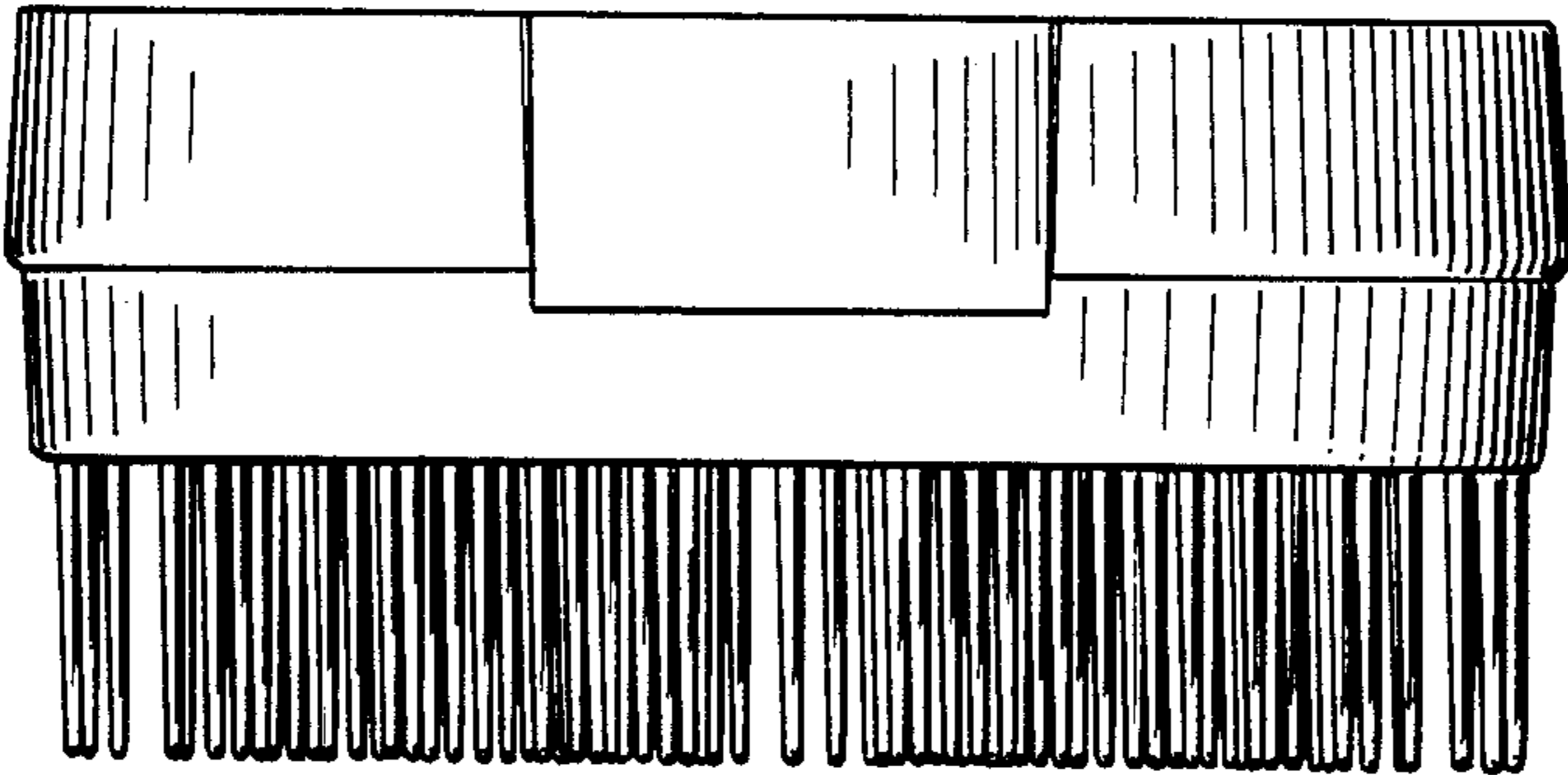


Fig. 5

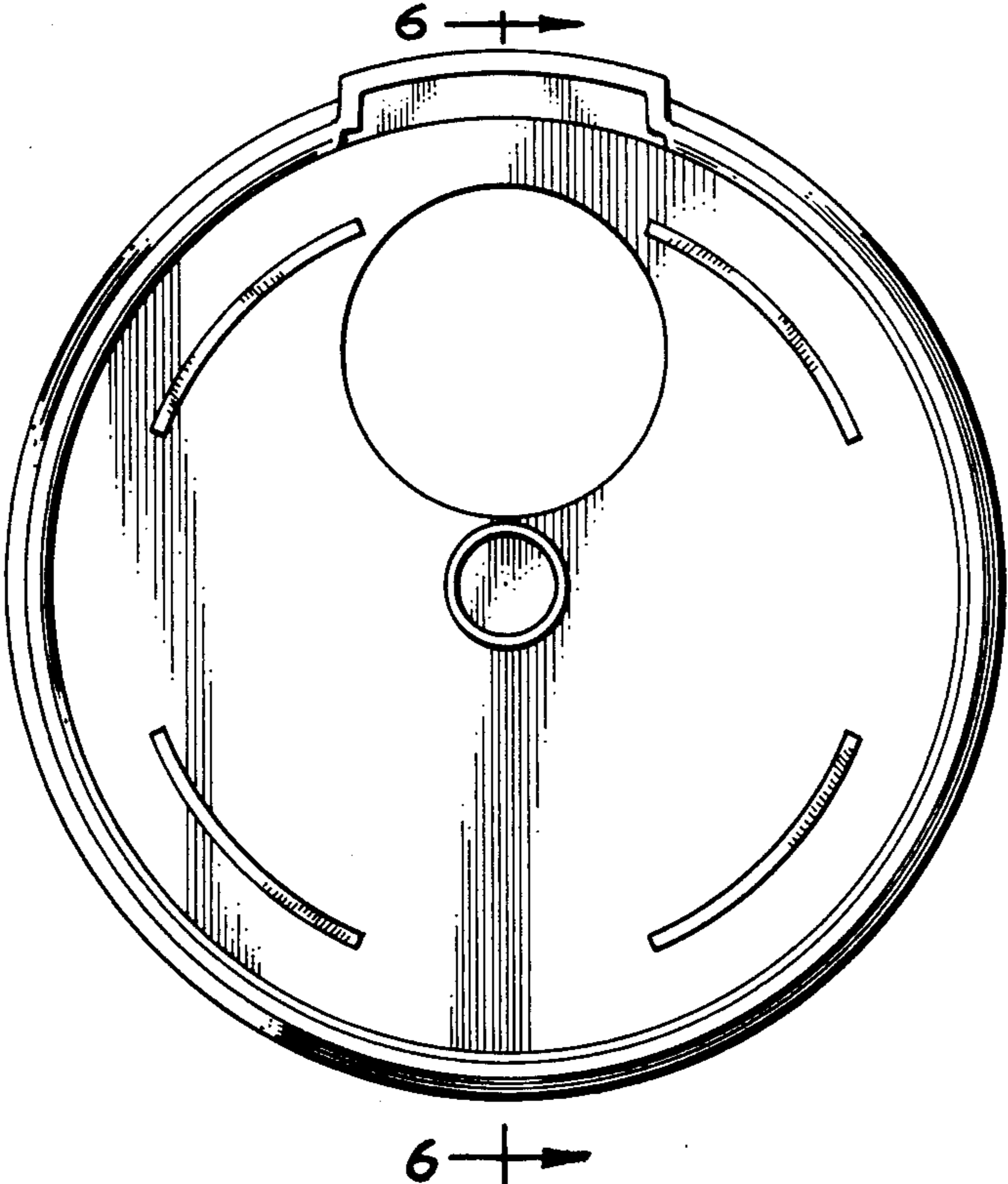


Fig. 6

