

[54] **SHOWERHEAD**

[75] **Inventor:** Clifford E. Grube, Niles, Ill.

[73] **Assignee:** Associated Mills, Inc., Chicago, Ill.

[\*\*] **Term:** 14 Years

[21] **Appl. No.:** 742,207

[22] **Filed:** Nov. 15, 1976

[51] **Int. Cl.** ..... D23—01

[52] **U.S. Cl.** ..... D23/35

[58] **Field of Search** ..... D23/34-39;  
 239/102, 383, 394, 446, 447, 588

[56]

**References Cited**

**U.S. PATENT DOCUMENTS**

3,762,648	10/1973	Deines et al. ....	239/383
3,801,019	4/1974	Trenary et al. ....	239/383
3,958,756	5/1976	Trenary et al. ....	239/102

3,998,390	12/1976	Peterson et al. ....	239/394
D. 235,445	6/1975	MacKay et al. ....	D23/35
D. 235,997	7/1975	Johnson .....	D23/35
D. 240,429	7/1976	Grube .....	D23/35

*Primary Examiner*—James R. Largen  
*Attorney, Agent, or Firm*—George B. Newitt

[57] **CLAIM**

The ornamental design for a showerhead, as shown and described.

**DESCRIPTION**

FIG. 1 is a perspective view of a showerhead showing my new design;  
 FIG. 2 is a front elevational view thereof;  
 FIG. 3 is a side elevational view thereof, the other side being a mirror image of the side shown;  
 FIG. 4 is a rear elevational view thereof;  
 FIG. 5 is a top plan view thereof; and  
 FIG. 6 is a bottom plan view thereof.

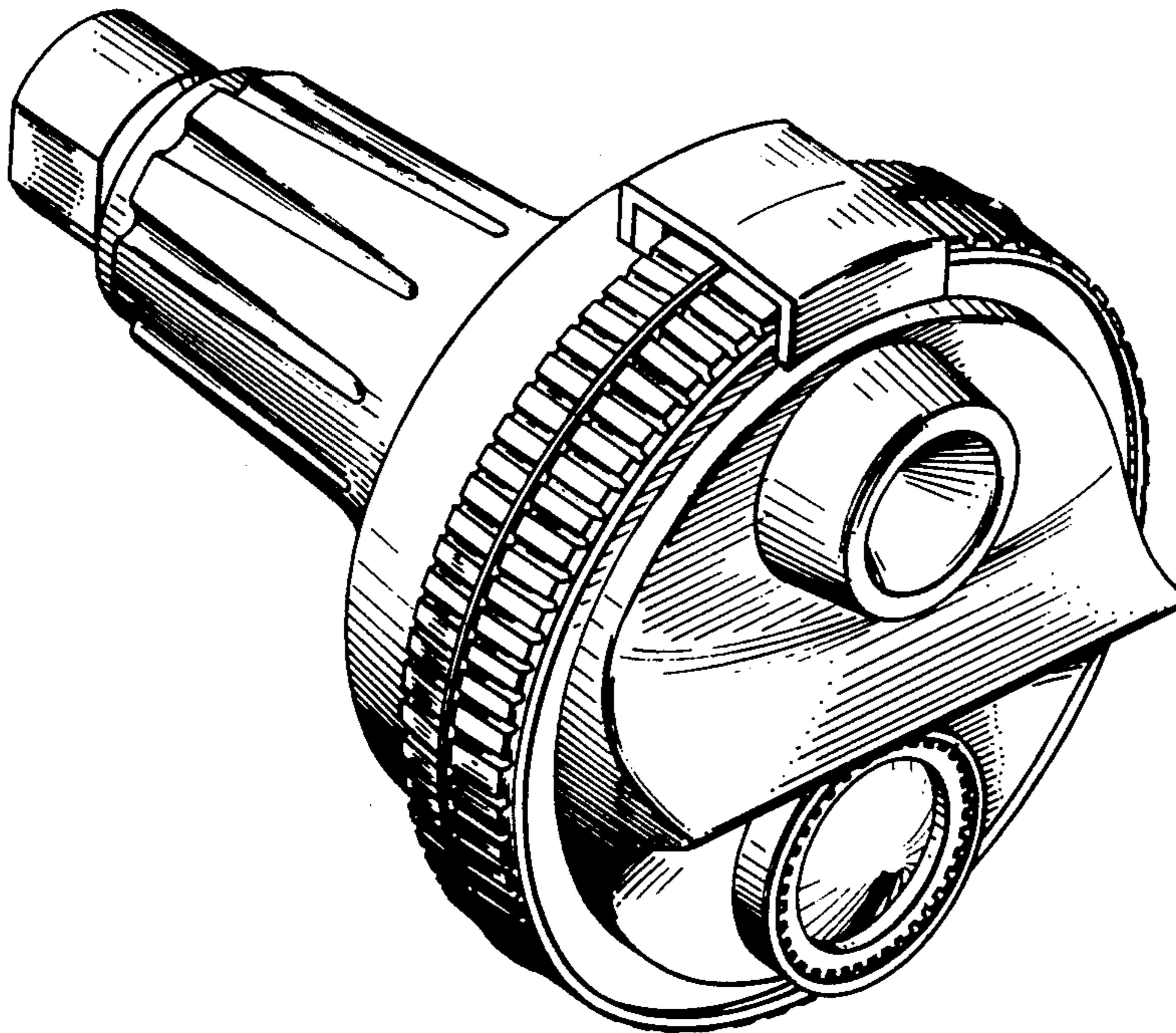


Fig. 1

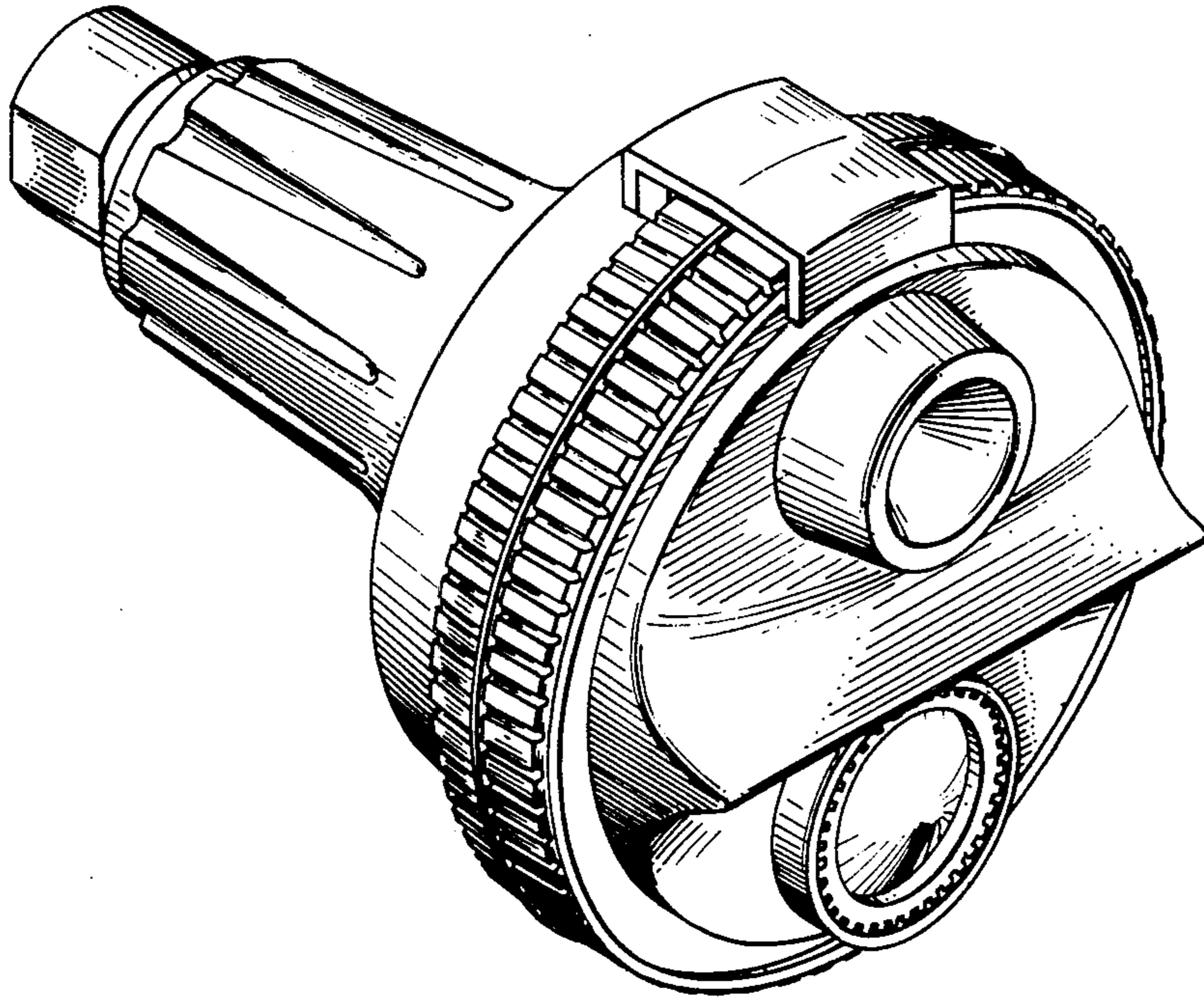


Fig. 2

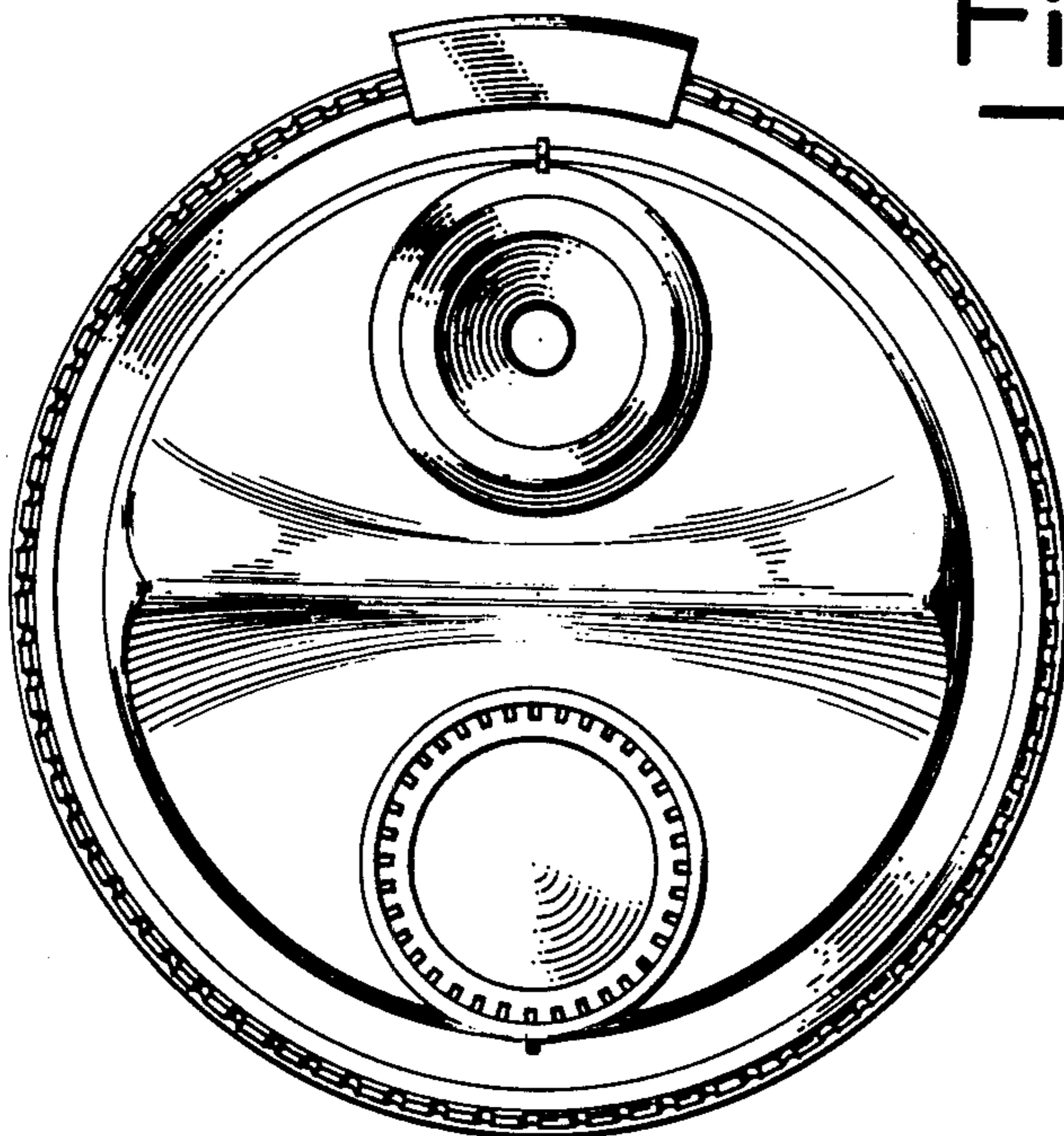


Fig. 3

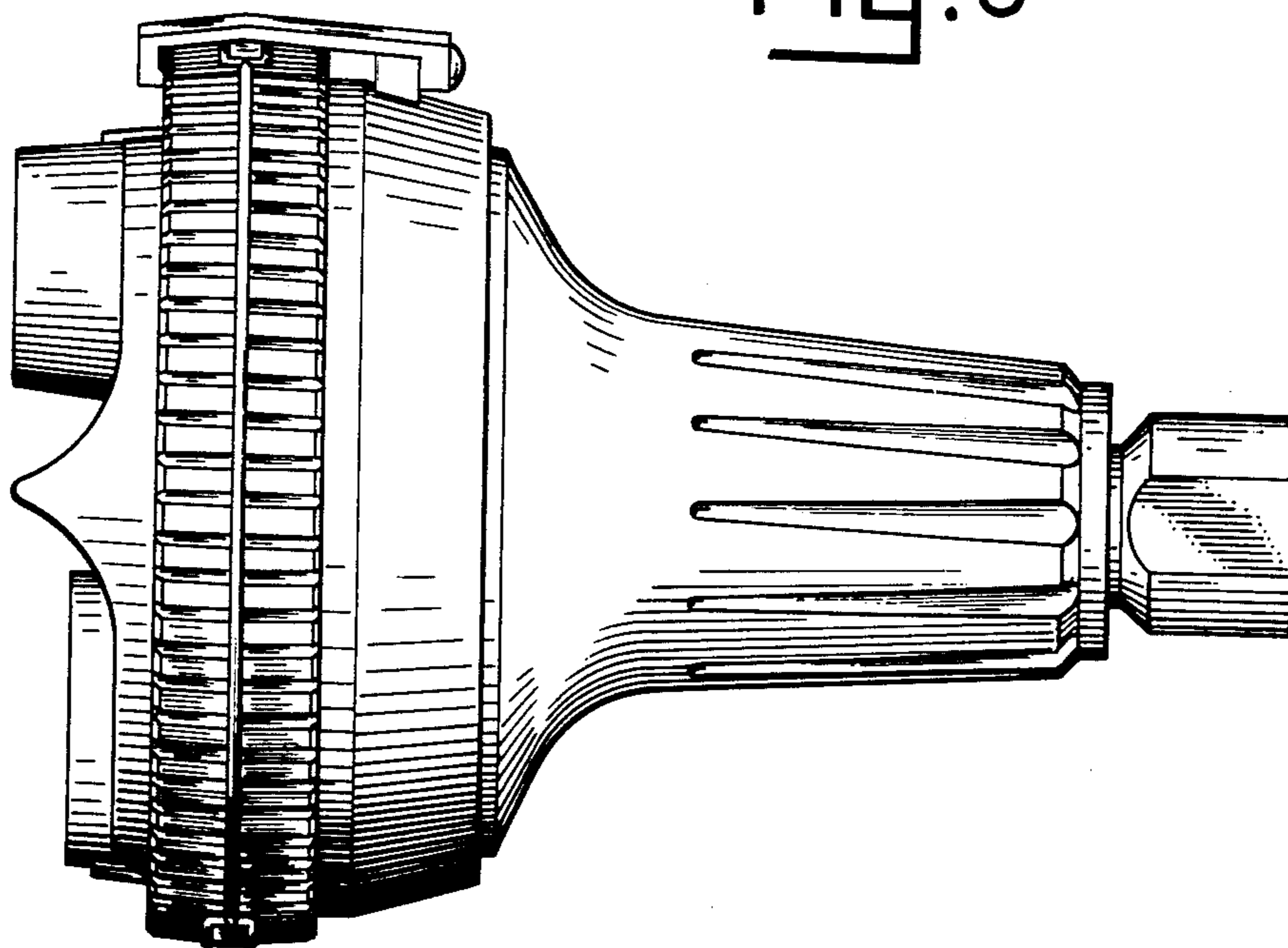


Fig. 4

