

[54] ELECTROPHOTOGRAPHIC COPIER OR THE LIKE

[75] Inventors: Ernest Michael Bevilacqua, Wilton; Allen Dana Hawthorne; Eliot Fette Noyes, both of New Canaan, all of Conn.

[73] Assignee: International Business Machines Corporation, Armonk, N.Y.

[**] Term: 14 Years

[21] Appl. No.: 637,486

[22] Filed: Dec. 3, 1975

[51] Int. Cl. D16-3

[52] U.S. Cl. D16/30

[58] Field of Search D16/27-32; D26/5 C; 355/3 R, 8, 75-78, 82, 97, 131, 128

[56] References Cited

U.S. PATENT DOCUMENTS

- D. 180,645 7/1957 Furlani et al. D16/30
- D. 232,480 8/1974 Laughon D26/5 C

OTHER PUBLICATIONS

Industrial Design, Dec. 1970, p. 24, Copier No. 36, at bottom center of page.
3M, "VHS" Copier Flier, July 1974, VHS Copier.

Primary Examiner—Joel Stearman
Assistant Examiner—C. A. Rademaker
Attorney, Agent, or Firm—Joscelyn G. Cockburn

[57] CLAIM

The ornamental design for electrophotographic copier or the like, substantially as shown and described.

DESCRIPTION

FIG. 1 is a top, right side and front perspective view of an electrophotographic copier or the like showing our new design;

FIG. 2 is a top, left side and rear perspective view thereof;

FIG. 3 is a front elevational view thereof; and

FIG. 4 is a top plan view thereof.

The lined patterned areas in FIGS. 1 and 2 indicate surface texture. The bottom of the design is conventionally plain and substantially unornamented.

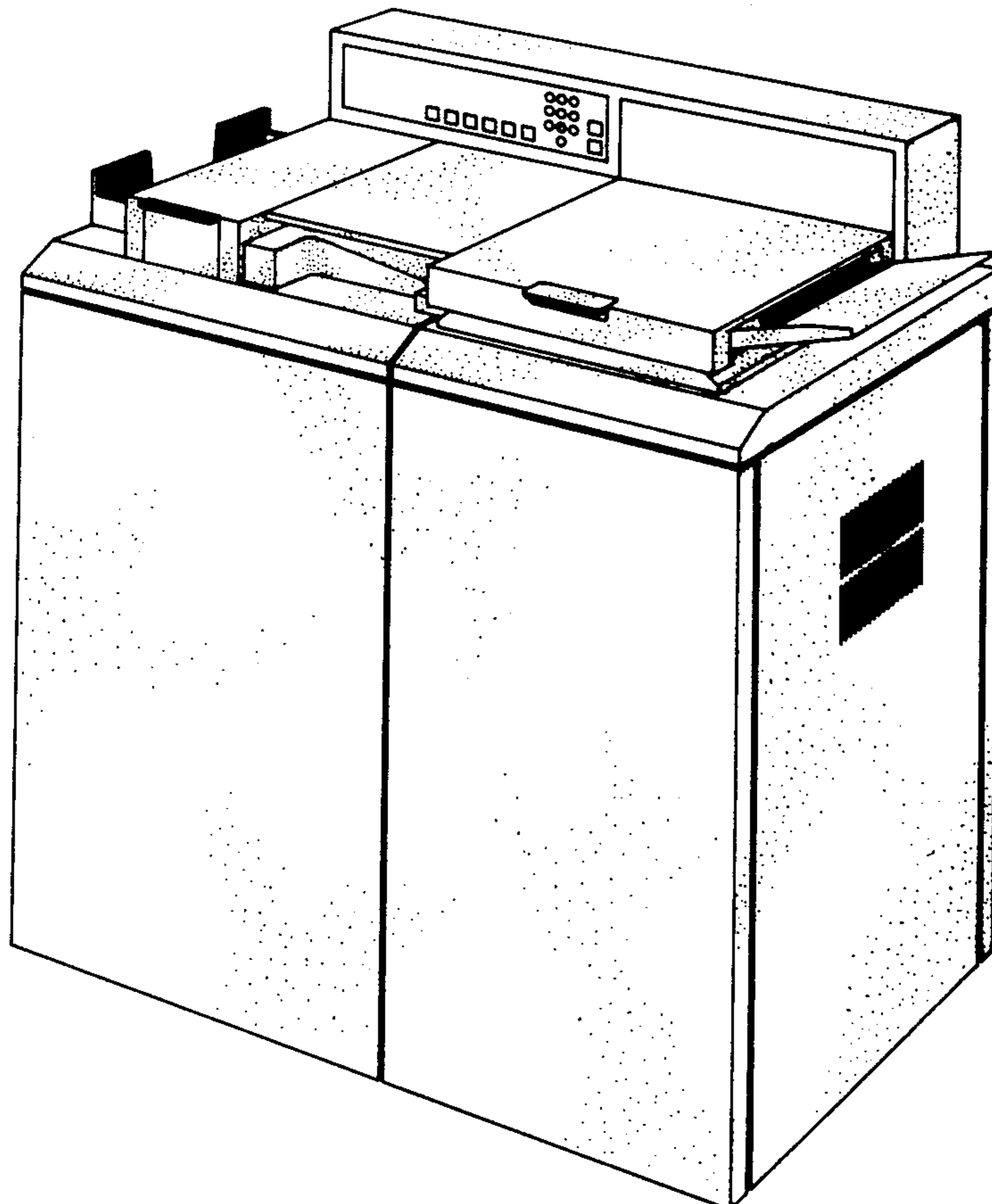


FIG. 1

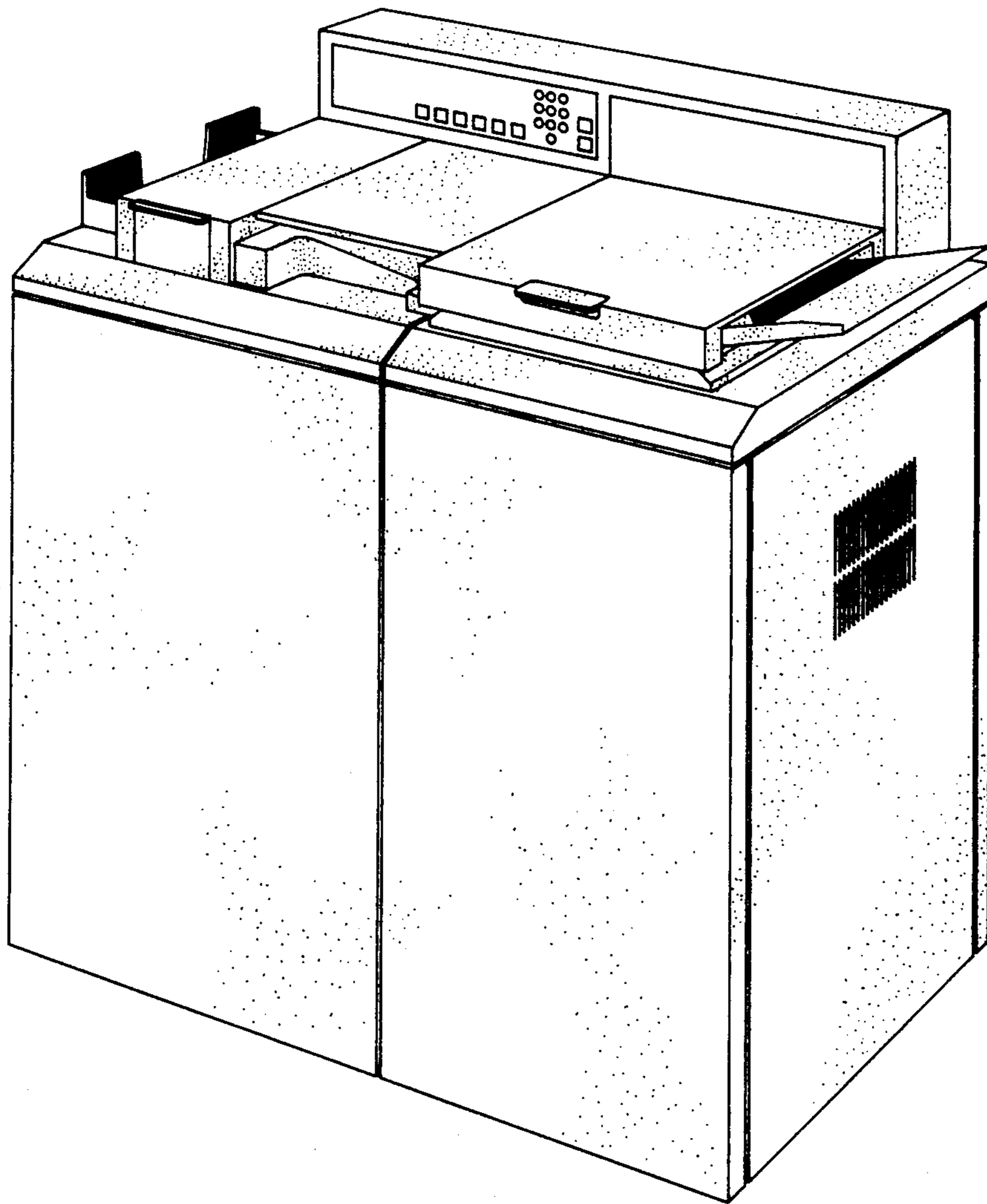


FIG. 3

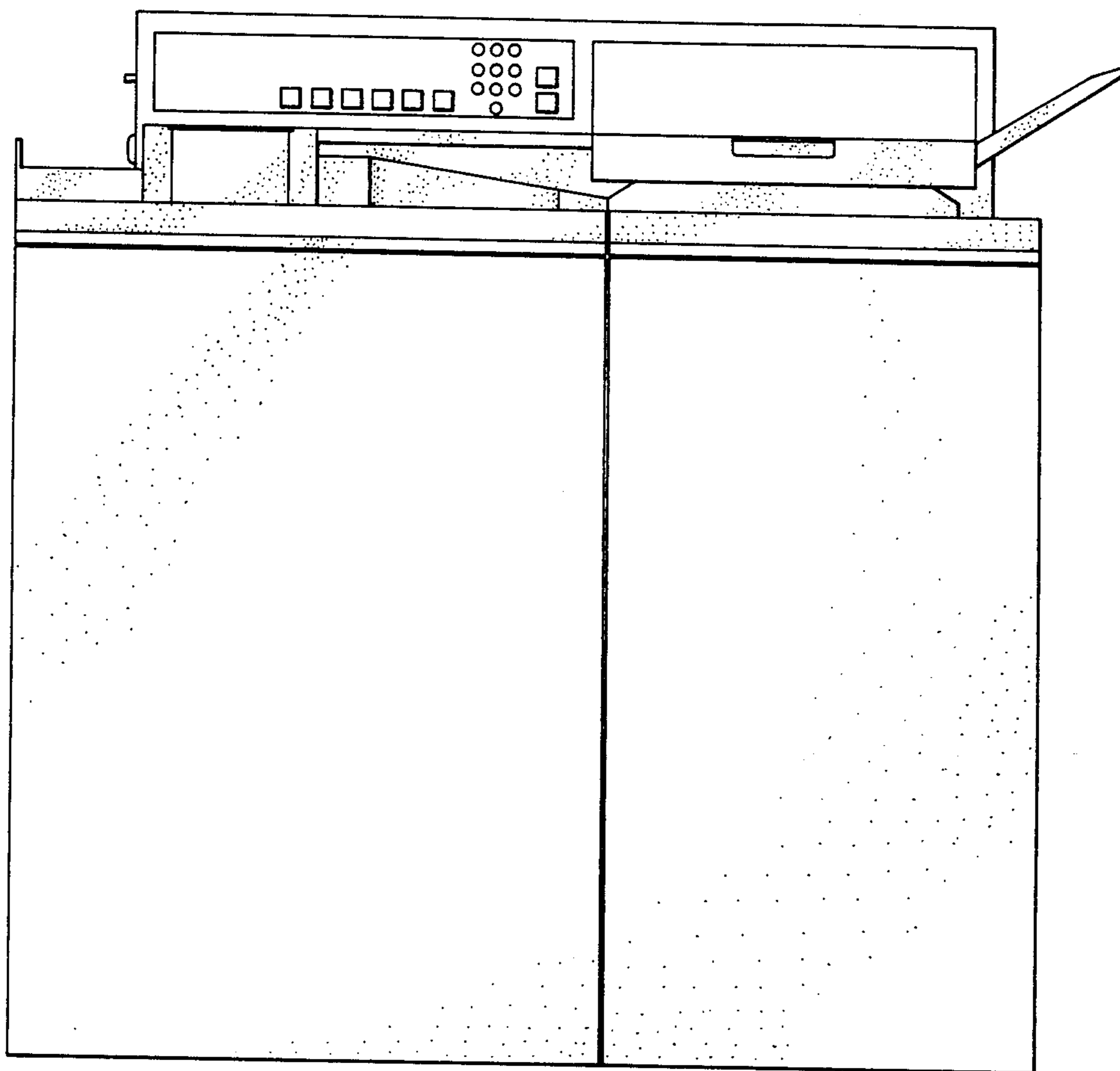


FIG. 4

