

[54] WAX APPLICATOR HOUSING

[76] Inventors: Robert C. Deuchar, 209 Bayview Drive, San Carlos, Calif. 94070; Gene J. Waitzman, 1055 Avondale St., San Jose, Calif. 95129

[\*\*] Term: 14 Years

[21] Appl. No.: 637,752

[22] Filed: Dec. 4, 1975

[51] Int. Cl. .... D15-05

[52] U.S. Cl. .... D15/48

[58] Field of Search ..... D15/34, 48-51, D15/56, 62; 15/320, 327 R, 327 A, 327 D, 327 E, 49 R, 50 R

[56] References Cited

U.S. PATENT DOCUMENTS

1,898,357 2/1933 Finnell ..... 15/50 R  
2,618,798 11/1952 Ohrt ..... 15/50 R

D. 70,552 7/1926 Finnell ..... D37/3  
D. 132,811 6/1942 Holt ..... D37/3  
D. 158,804 5/1950 Sawchuk ..... D37/3

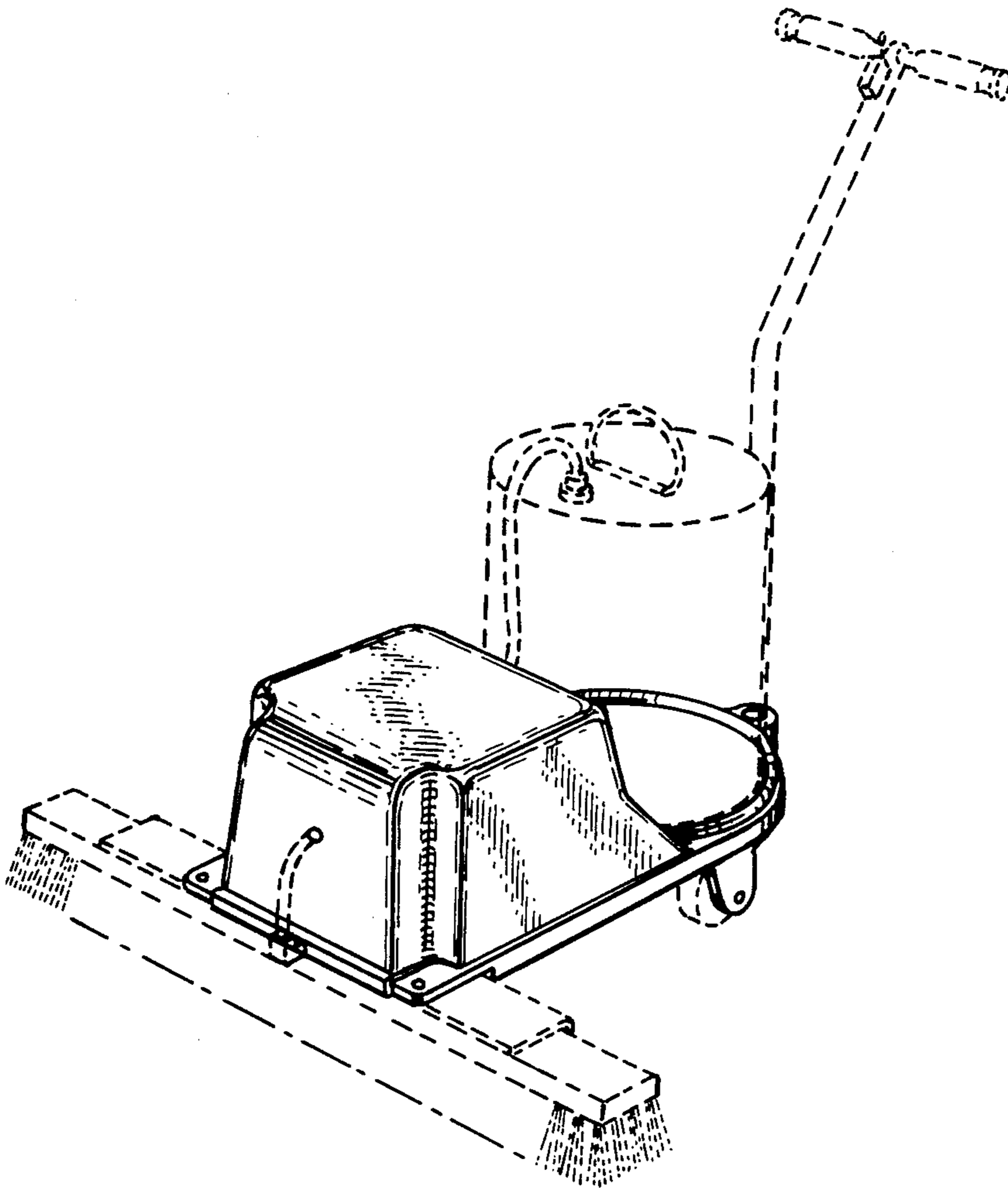
Primary Examiner—Wallace R. Burke  
Assistant Examiner—Catherine Kemper  
Attorney, Agent, or Firm—Harvey G. Lowhurst

[57] CLAIM

The ornamental design for a wax applicator housing, as shown and described.

DESCRIPTION

FIG. 1 is a perspective view of a wax applicator housing showing our new design. FIG. 2 is a side elevational view thereof, the opposite side being substantially a mirror image thereof, FIG. 3 is a plan view thereof, FIG. 4 is a rear end elevational view thereof, and FIG. 5 is a front end elevational view thereof. The broken line disclosure in FIG. 1 is for illustrative purposes only and forms no part of the claimed design.



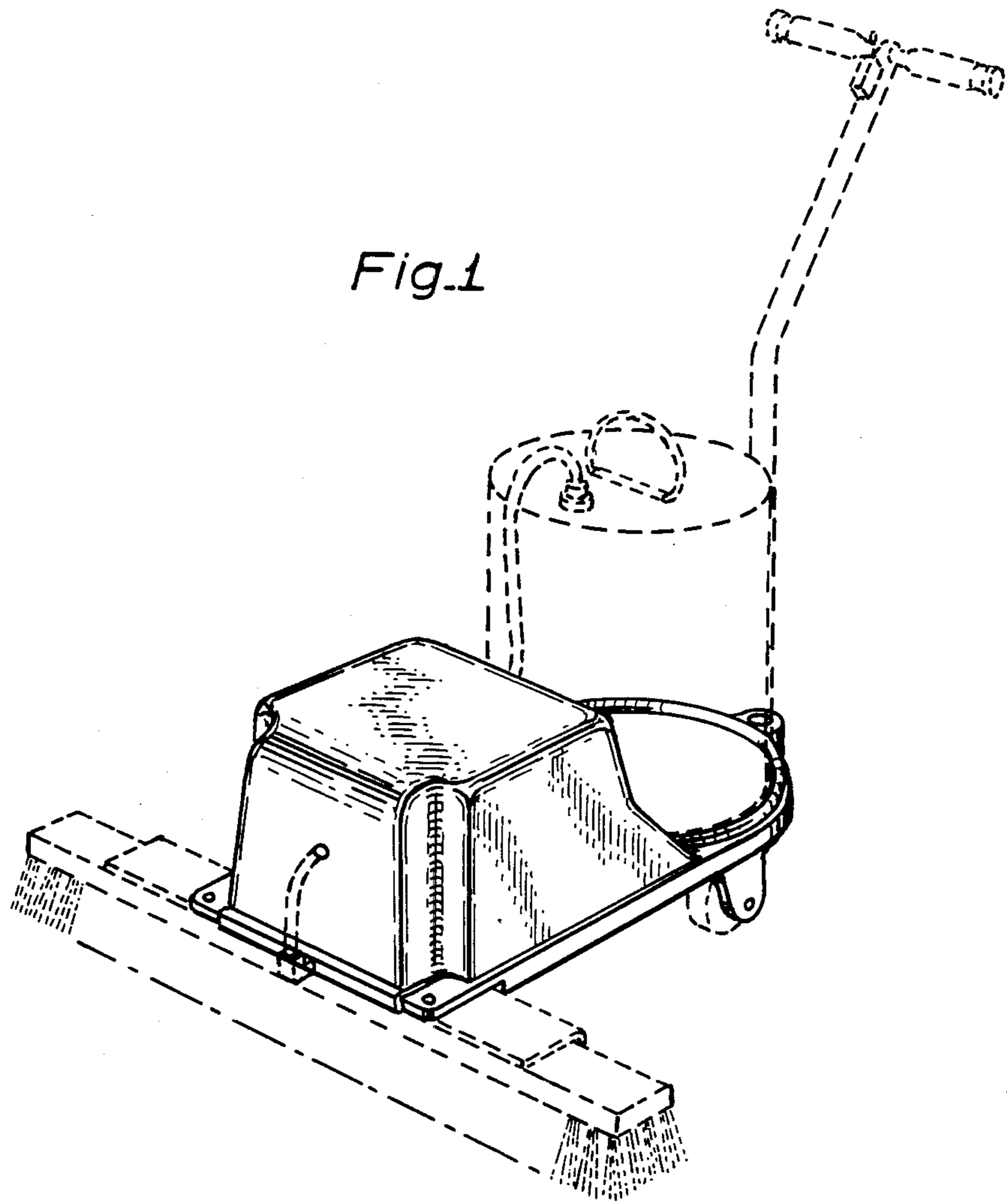
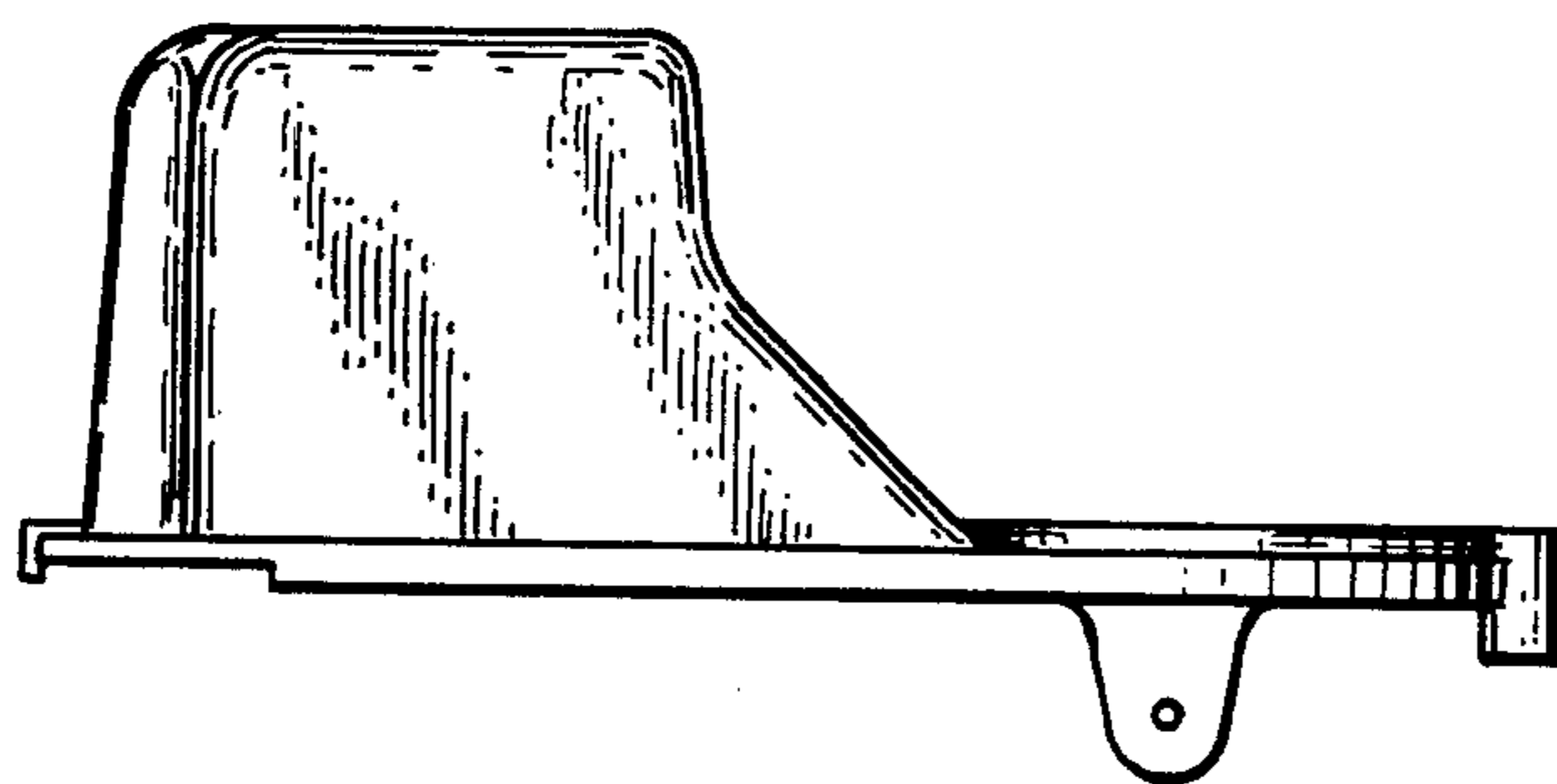
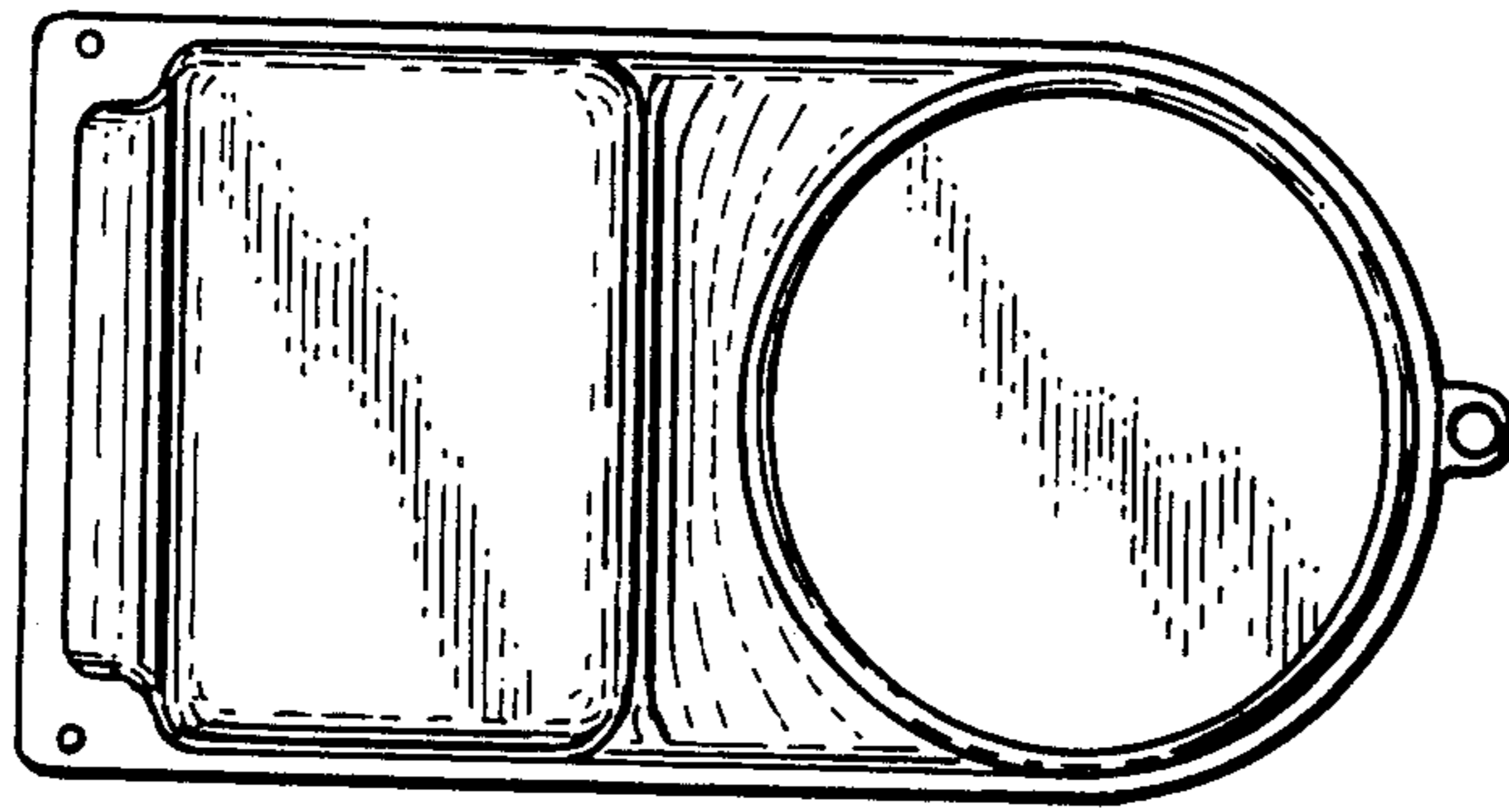


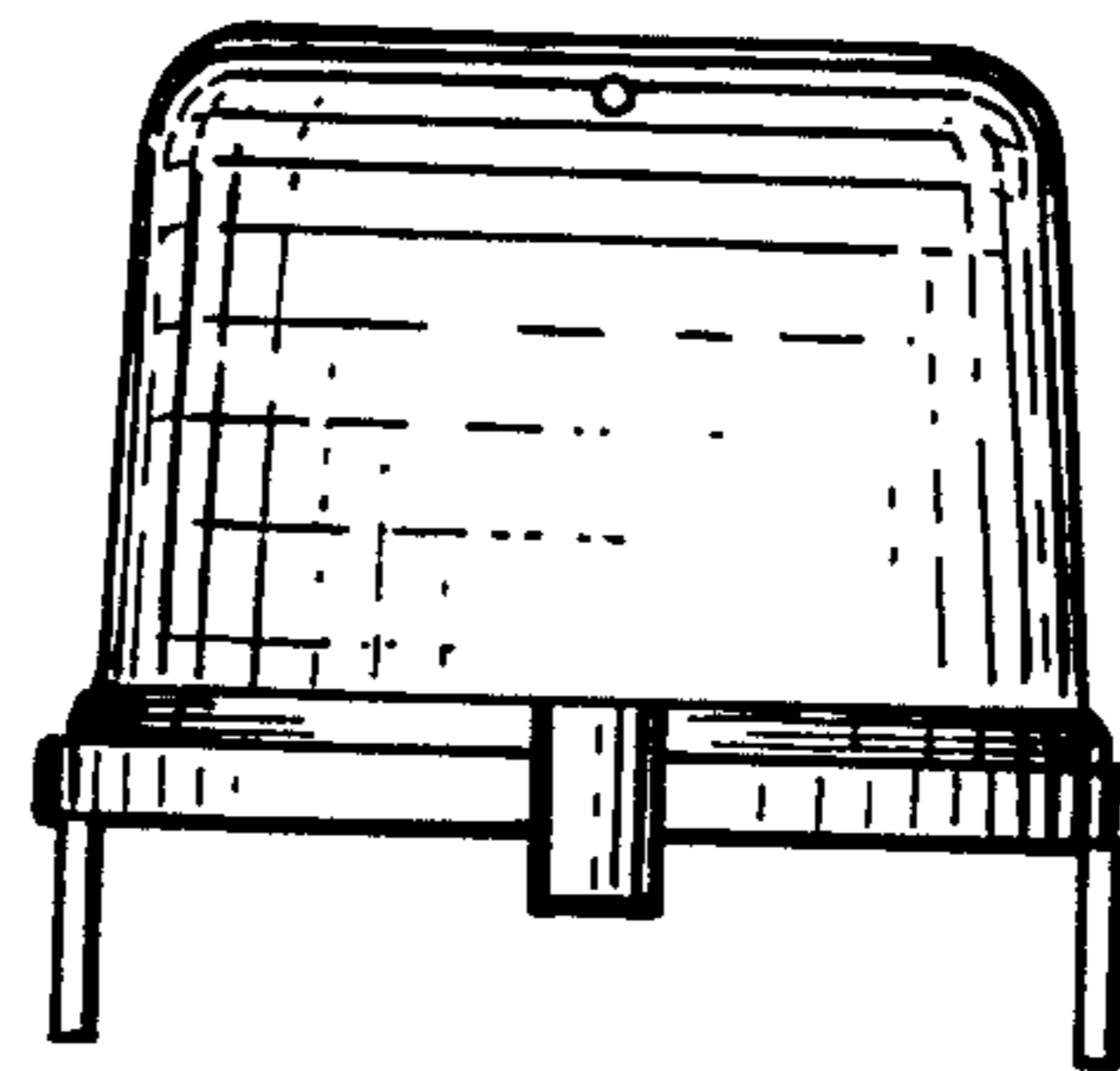
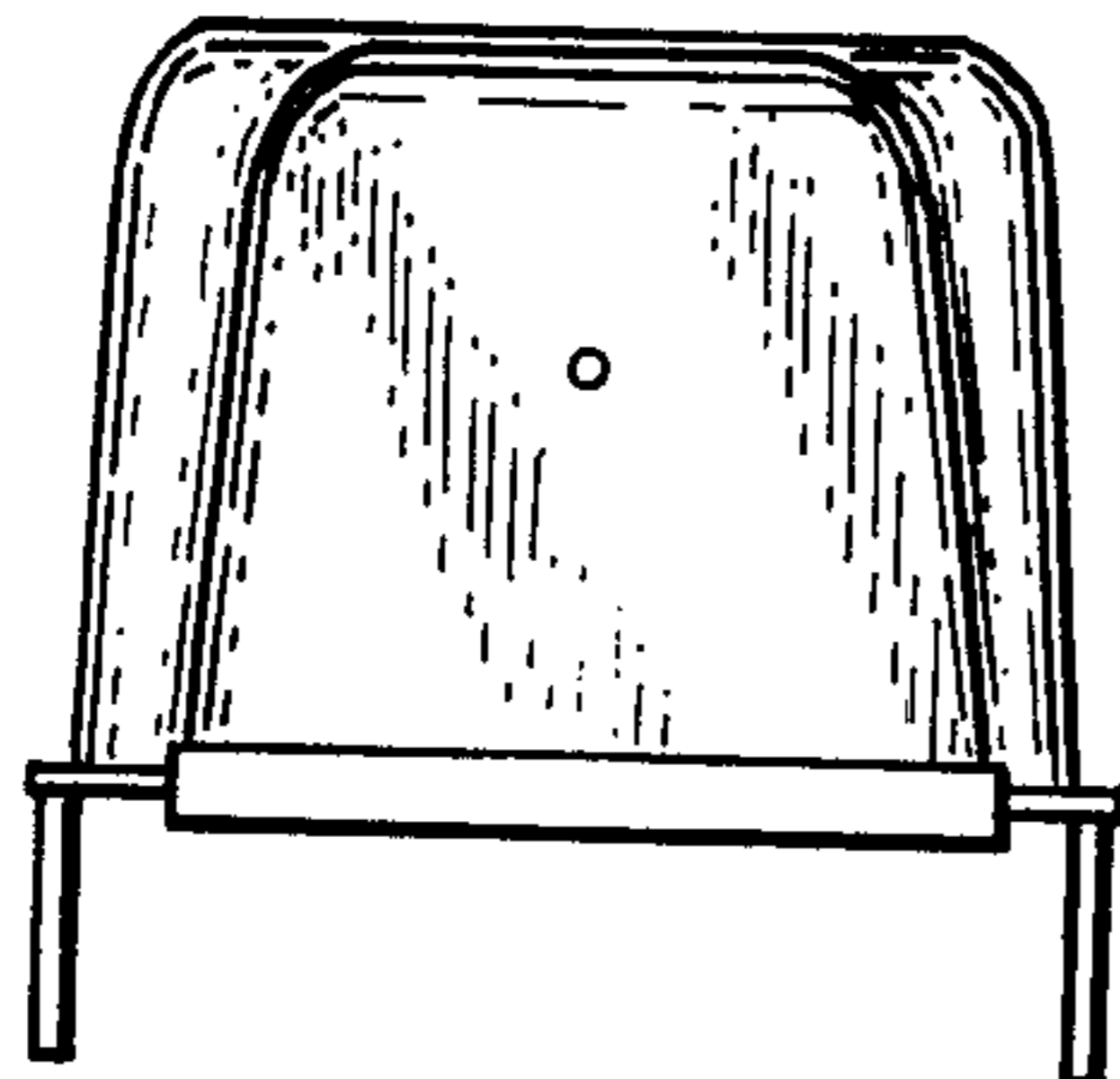
Fig. 2



*Fig.3*



*Fig.4*



*Fig.5*