

[54] TELEPHONE

[75] Inventors: Isamu Hirasawa, Tokyo; Minoru Sasai, Atsugi; Kunio Ito, Chigasaki, all of Japan

[73] Assignee: Kanda Tsushin Kogyo Co., Ltd., Tokyo, Japan

[**] Term: 14 Years

[21] Appl. No.: 748,394

[22] Filed: Dec. 7, 1976

[51] Int. Cl. D14-03

[52] U.S. Cl. D14/57

[58] Field of Search D26/14 A; 179/100 D, 179/84, 100 R, 179, 178; D14/57, 53

[56] References Cited

U.S. PATENT DOCUMENTS

- D. 232,740 9/1974 Takahashi et al. D26/14 A
- D. 237,091 10/1975 Blumenau D26/14 A

D. 237,720 11/1975 Masami et al. D26/14 A

Primary Examiner—Bernard Ansher
Attorney, Agent, or Firm—Robert D. Flynn

[57] CLAIM

The ornamental design for a telephone, as shown and described.

DESCRIPTION

FIG. 1 is a front elevation of a telephone showing our new design;
 FIG. 2 is a top plan view thereof;
 FIG. 3 is a rear elevation thereof;
 FIG. 4 is a left side elevation thereof with the cord element omitted for ease of illustration;
 FIG. 5 is a right side elevation thereof;
 FIG. 6 is a top plan view with the handset removed from the telephone base;
 FIG. 7 is a fragmentary left side elevation of the telephone base; and
 FIG. 8 is a front perspective thereof.

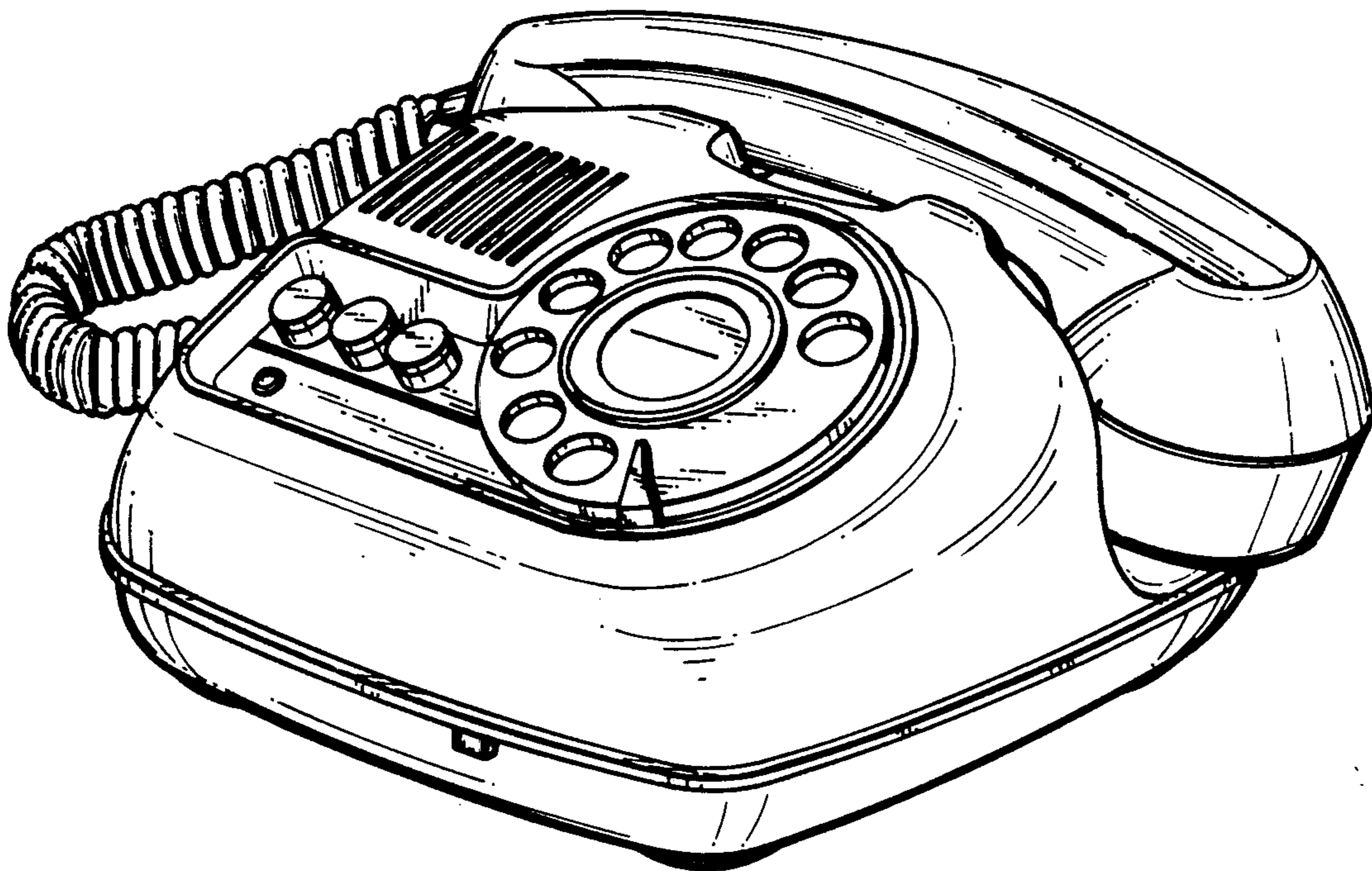


FIG. 1

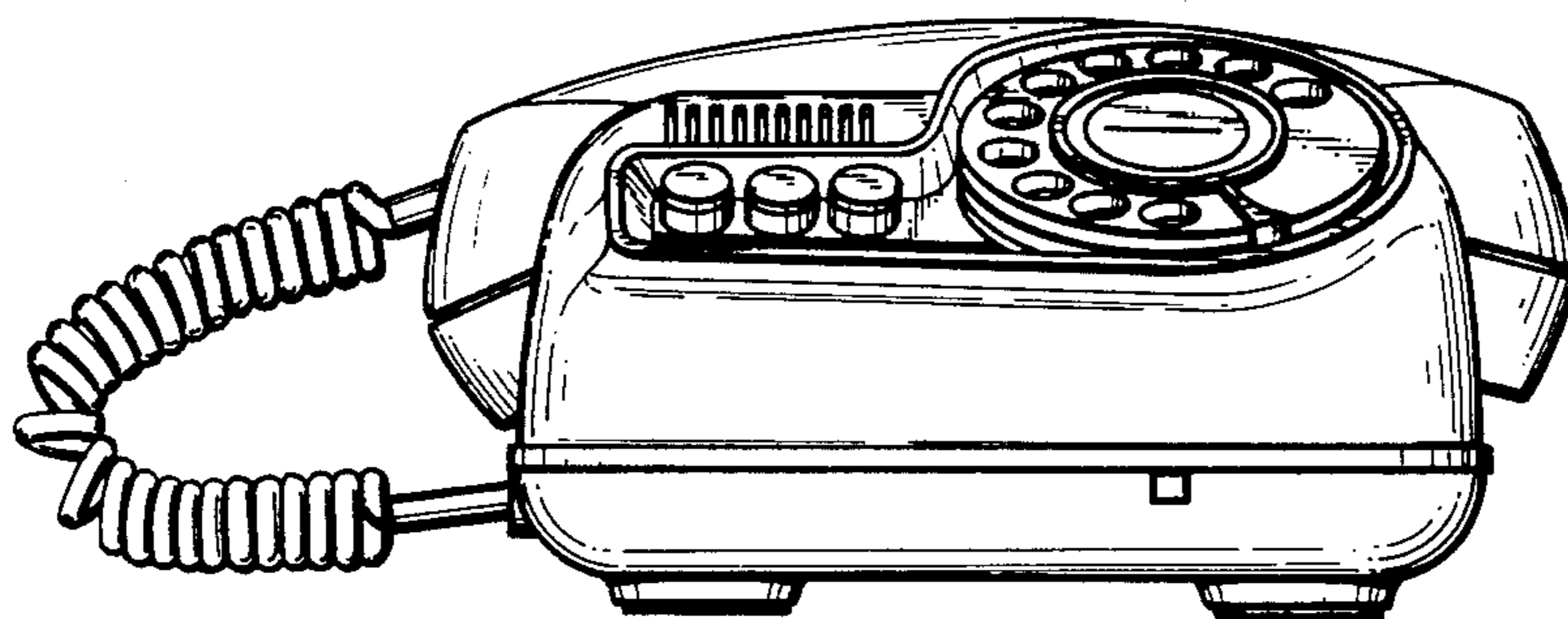


FIG. 2

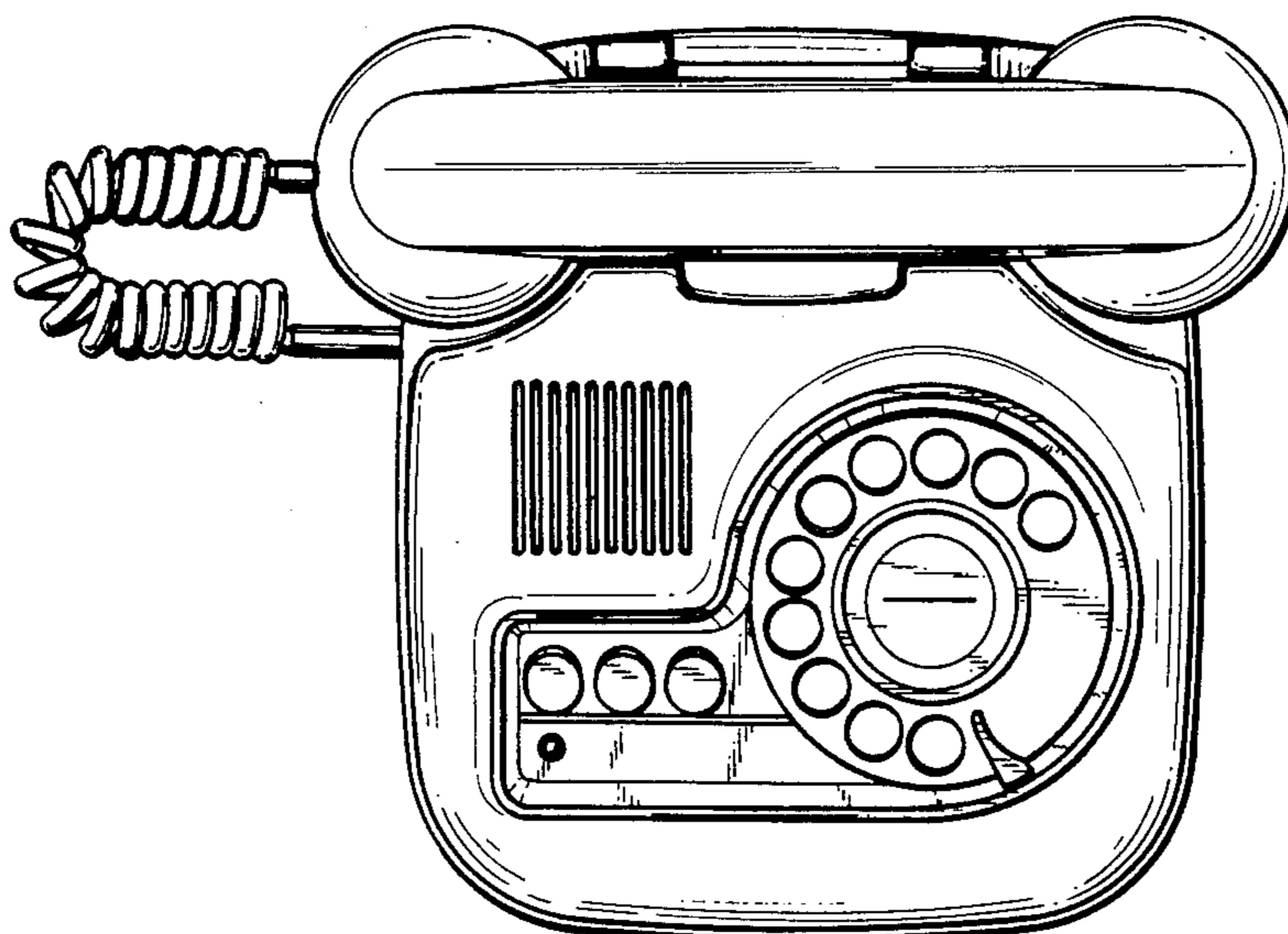


FIG. 3

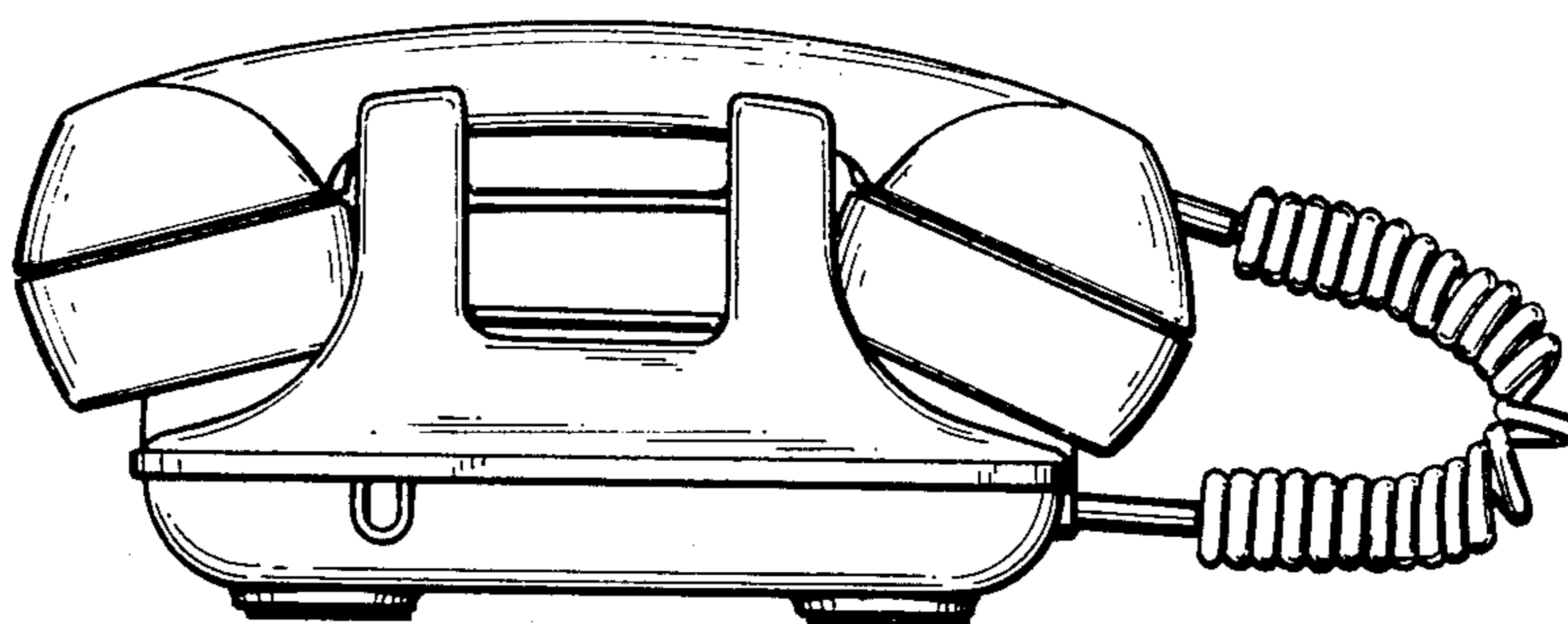


FIG. 4

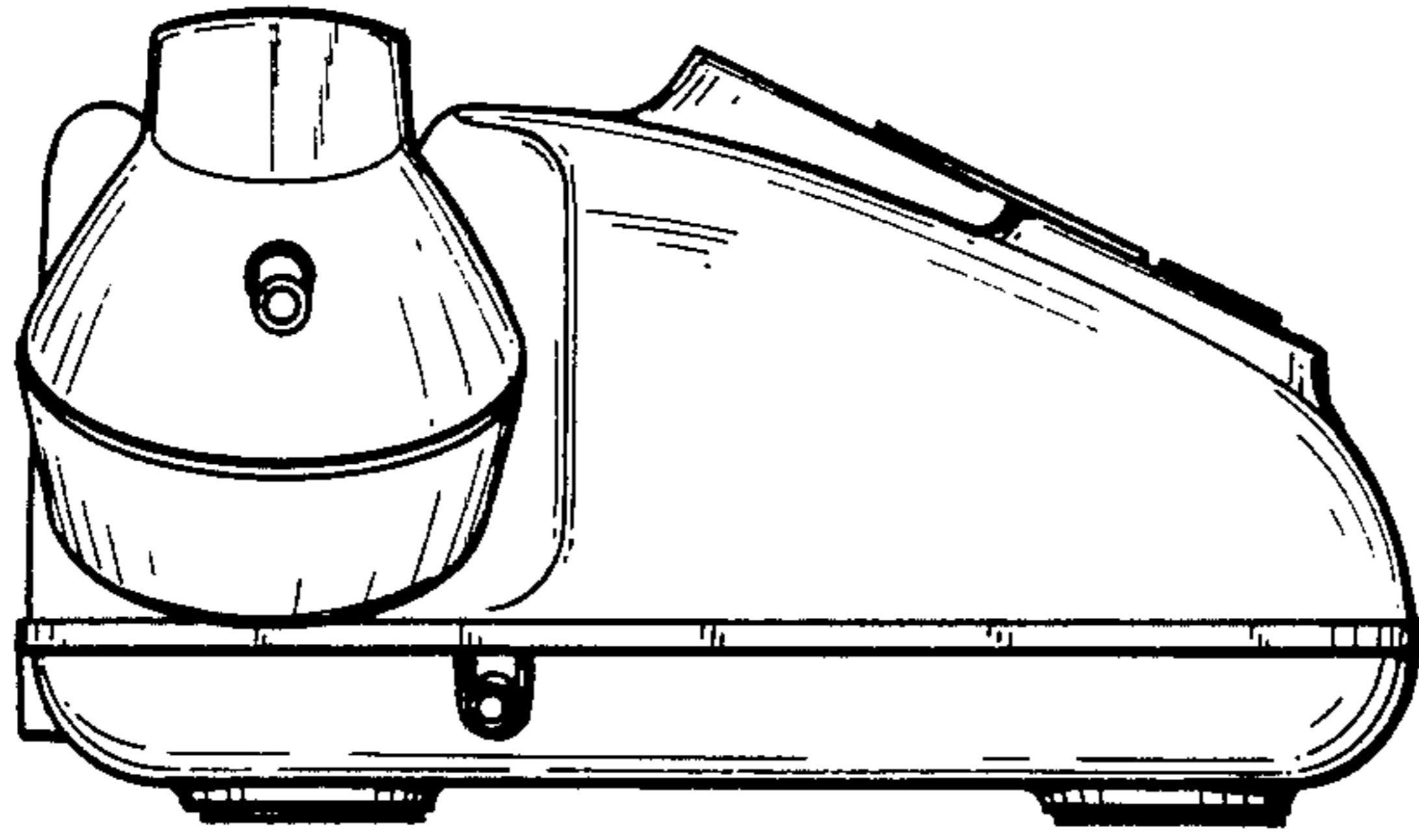


FIG. 5

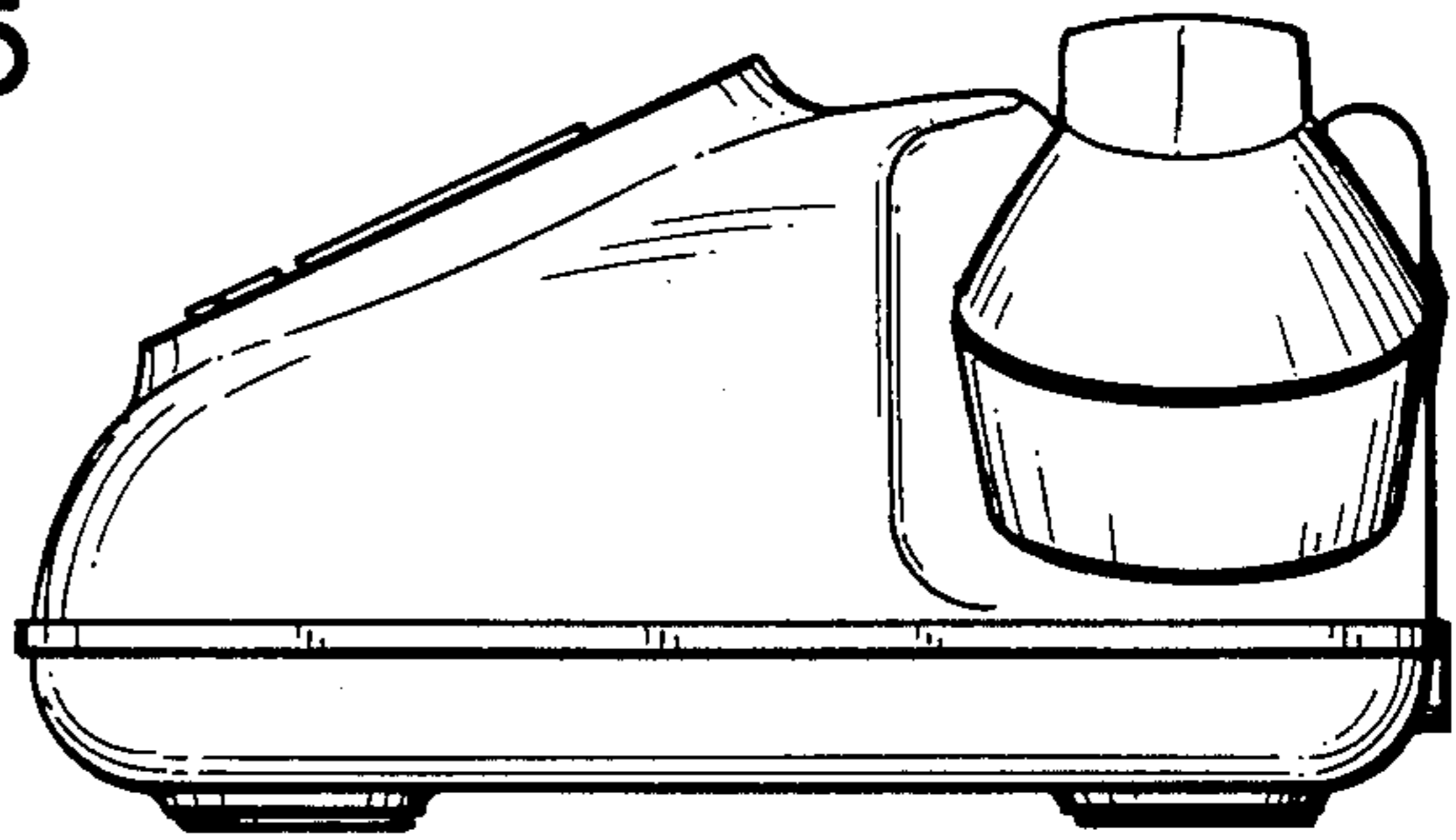


FIG. 6

