

[54] TELEVISION RECEIVER

[75] Inventors: Melvin H. Boldt, Glenview; Richard K. Althans, Long Grove, both of Ill.

[73] Assignee: Zenith Radio Corporation, Glenview, Ill.

[\*\*] Term: 7 Years

[21] Appl. No.: 666,711

[22] Filed: Mar. 15, 1976

[51] Int. Cl. .... D14-03

[52] U.S. Cl. .... D14/80

[58] Field of Search ..... D14/1, 2, 5-7, D14/14, 16, 17, 19-21, 23-25, 31-37, 39, 40, 68-77, 79-82, 84, 99

[56] References Cited

U.S. PATENT DOCUMENTS

D. 217,572 5/1970 James et al. .... D14/80  
D. 229,971 1/1974 Ito ..... D14/80

D. 239,325 3/1976 Boldt ..... D14/80

OTHER PUBLICATIONS

W. Bell & Co., 1975 Internat'l. Gift Collection Cat., © 1974, p. 248, Item "I", #635 29K 9488.  
Best Products, cat. recv'd, Apr. 23, 1975, p. 30, Item "A" RCA 12" black, white portable TV, #432652ECR6997.

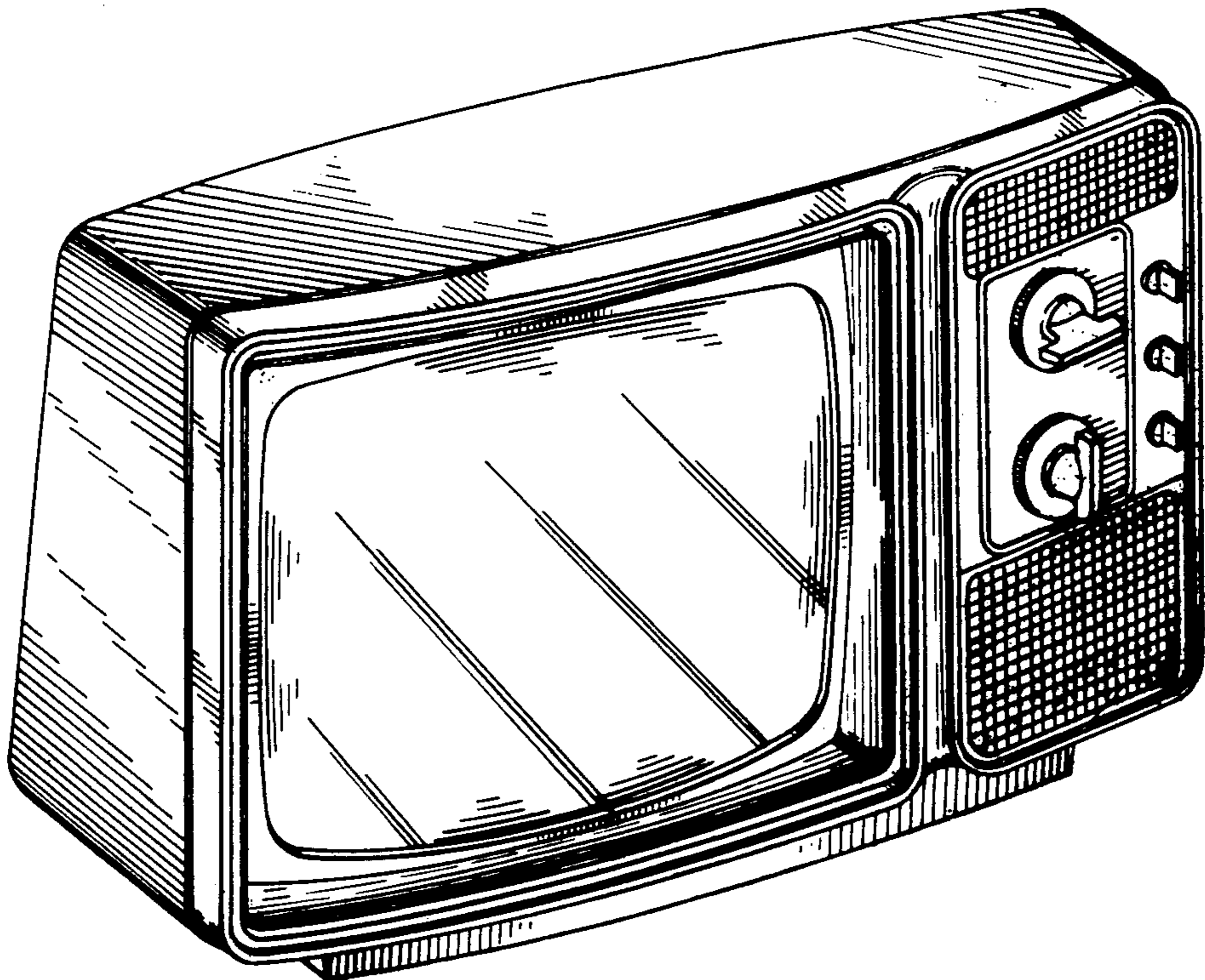
Primary Examiner—Joel Stearman  
Assistant Examiner—J. Corrigan  
Attorney, Agent, or Firm—John J. Pederson

[57] CLAIM

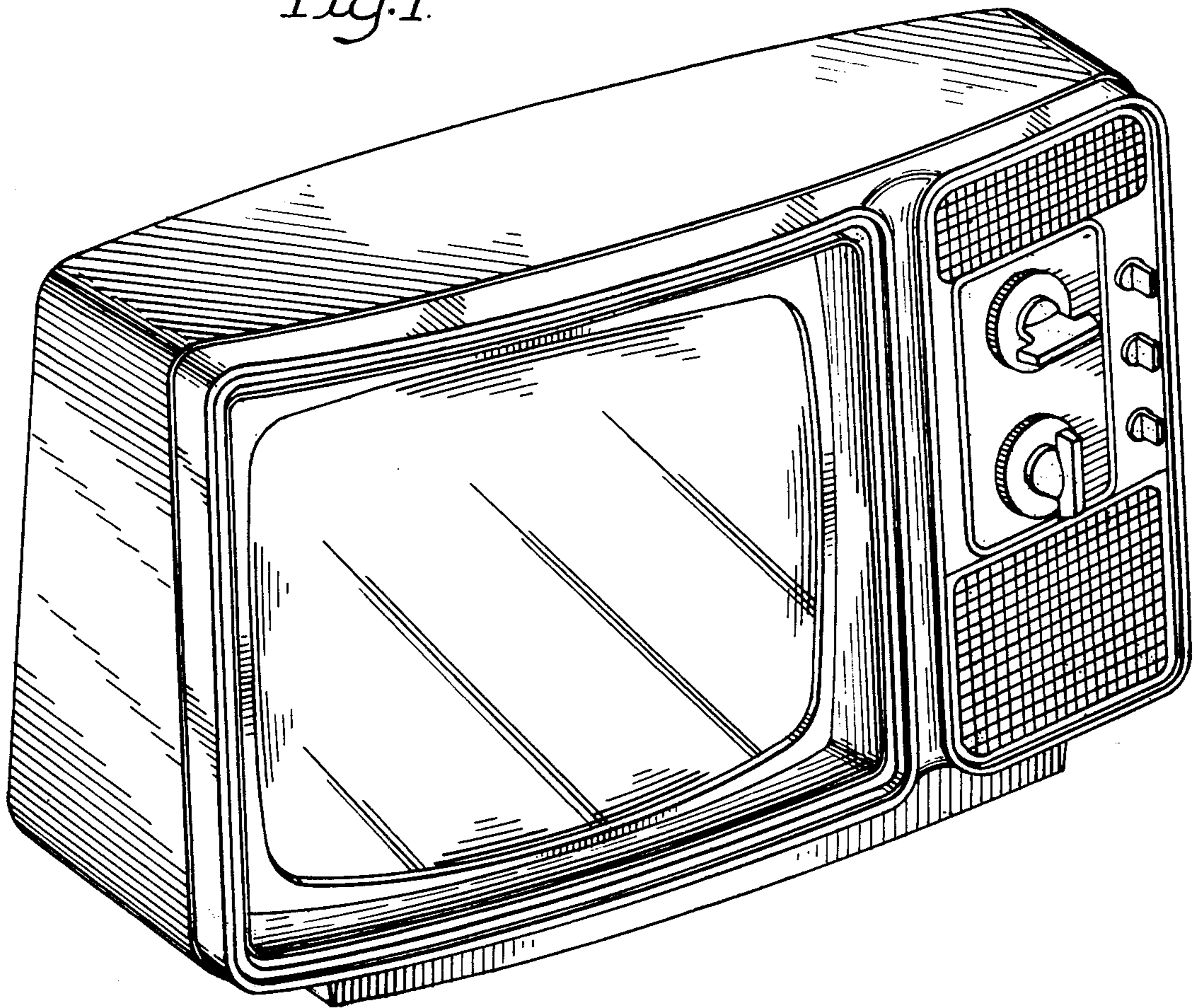
The ornamental design for a television receiver, substantially as shown and described.

DESCRIPTION

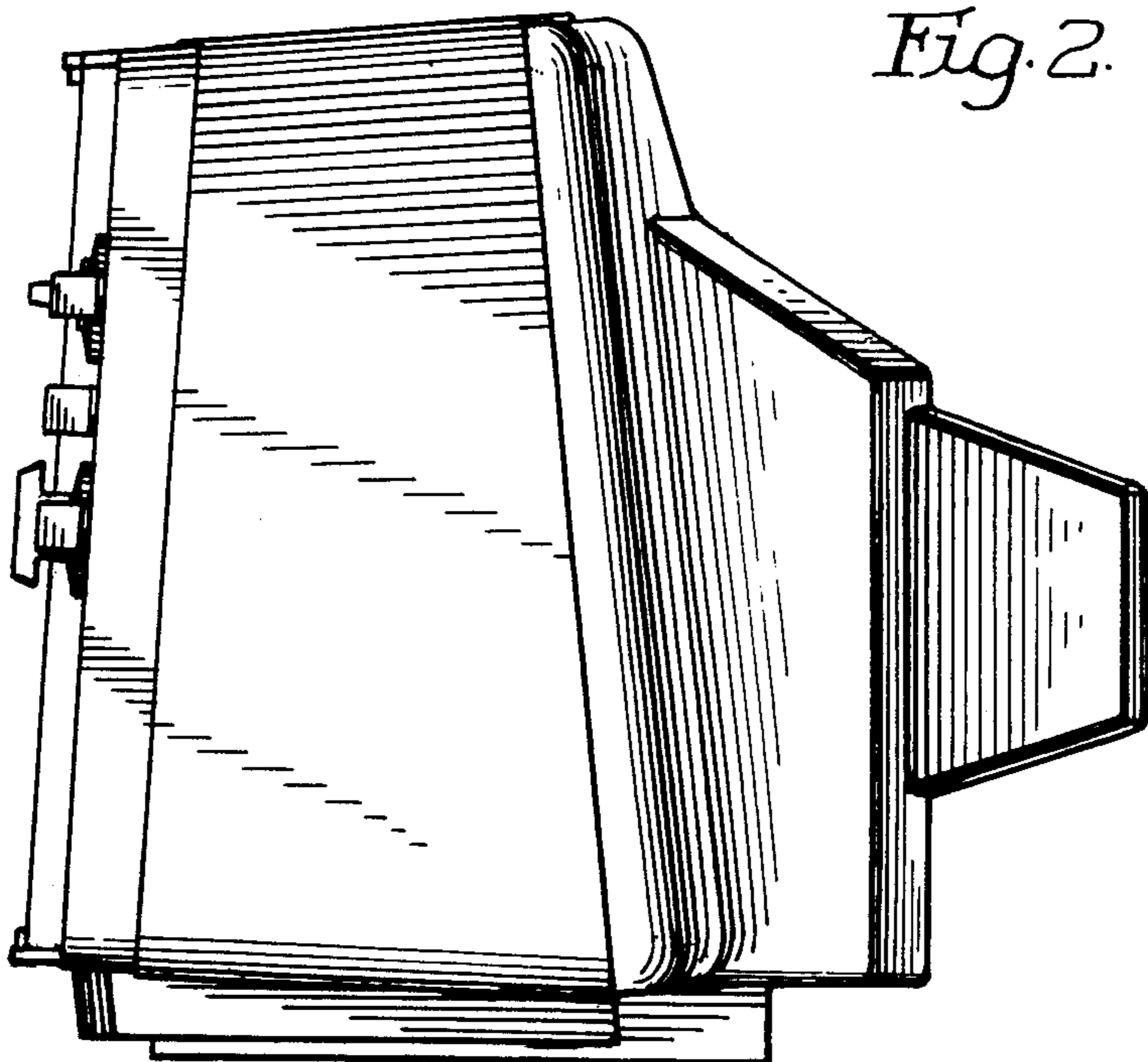
FIG. 1 is a front, top and left side perspective view of a television receiver showing our new design; FIG. 2 is a right side elevational view; FIG. 3 is a top plan view; and FIG. 4 is a rear elevational view.



*Fig. 1.*

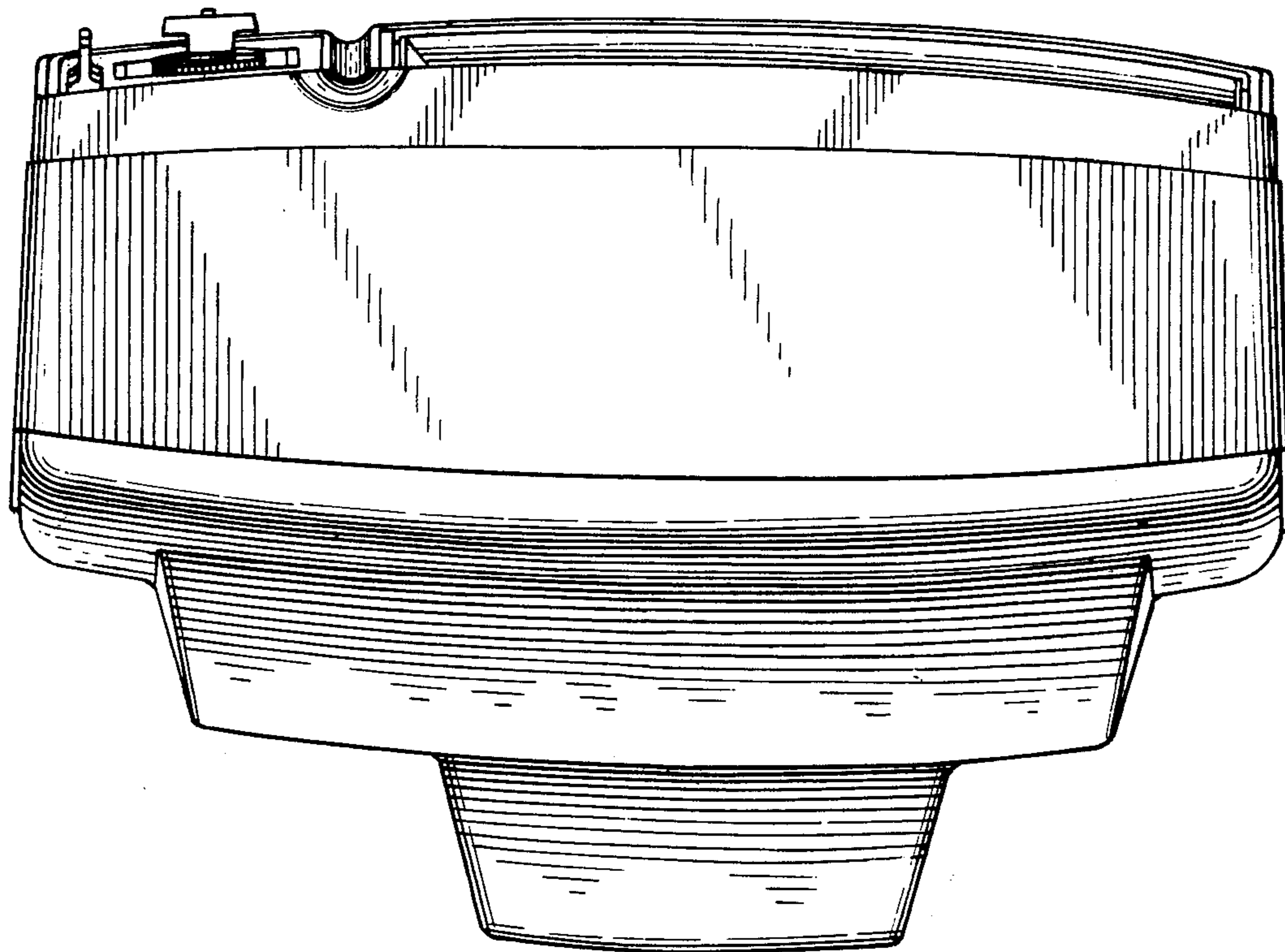


*Fig. 2.*





*Fig. 3.*



*Fig. 4.*

