

[54] **BOTTLE-OPENER**

[75] Inventor: **François de Gross**, Geneva,  
Switzerland

[73] Assignee: **François de Gross & Cie.**, Carouge,  
Switzerland

[\*\*] Term: **14 Years**

[21] Appl. No.: **650,661**

[22] Filed: **Jan. 20, 1976**

[30] **Foreign Application Priority Data**  
July 21, 1975 Switzerland ..... 61365/75

[51] Int. Cl. .... **D7-99**

[52] U.S. Cl. .... **D8/18**

[58] Field of Search ..... **D8/16-18,**  
**D8/33-43, 88, 89, 31, 47; 81/3.46 R, 3.46 A;**  
**30/16**

[56] **References Cited**

**U.S. PATENT DOCUMENTS**

807,380	12/1905	Hicks .....	81/3.46 R X
941,865	11/1909	Forsyth et al. ....	D8/18 X
1,877,019	9/1932	Nathan .....	81/3.46 A X
2,155,947	4/1939	Low .....	D8/40 X
2,434,212	1/1948	Ippolito .....	30/16 X
D. 222,659	11/1971	Hillis .....	D8/40
D. 240,497	7/1976	Riba .....	D8/40

*Primary Examiner*—Winifred E. Herrmann  
*Attorney, Agent, or Firm*—Emory L. Groff

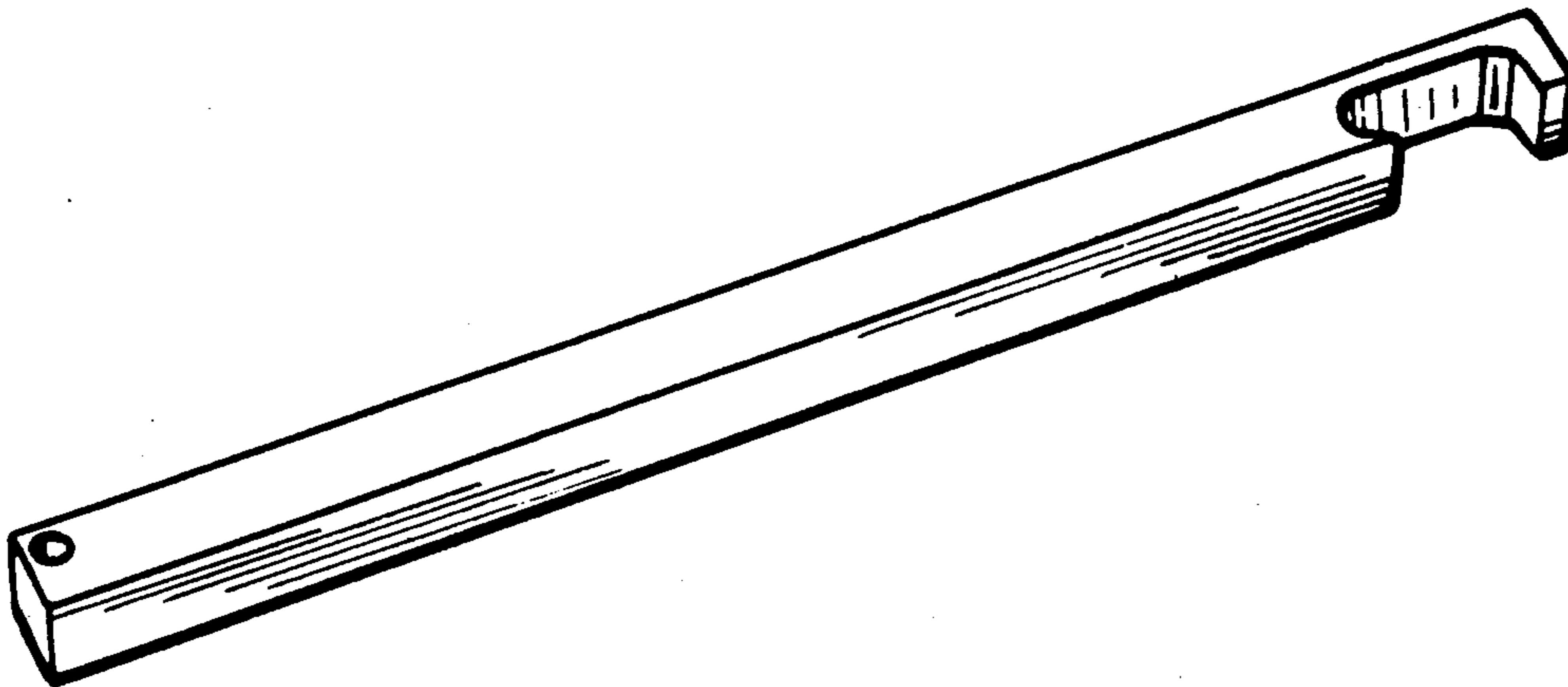
[57] **CLAIM**

The ornamental design for a bottle-opener, substantially as shown.

**DESCRIPTION**

FIG. 1 is a perspective view of a bottle-opener showing my new design.

FIG. 2 is a perspective view of the bottle-opener shown in FIG. 1 turned on its side.



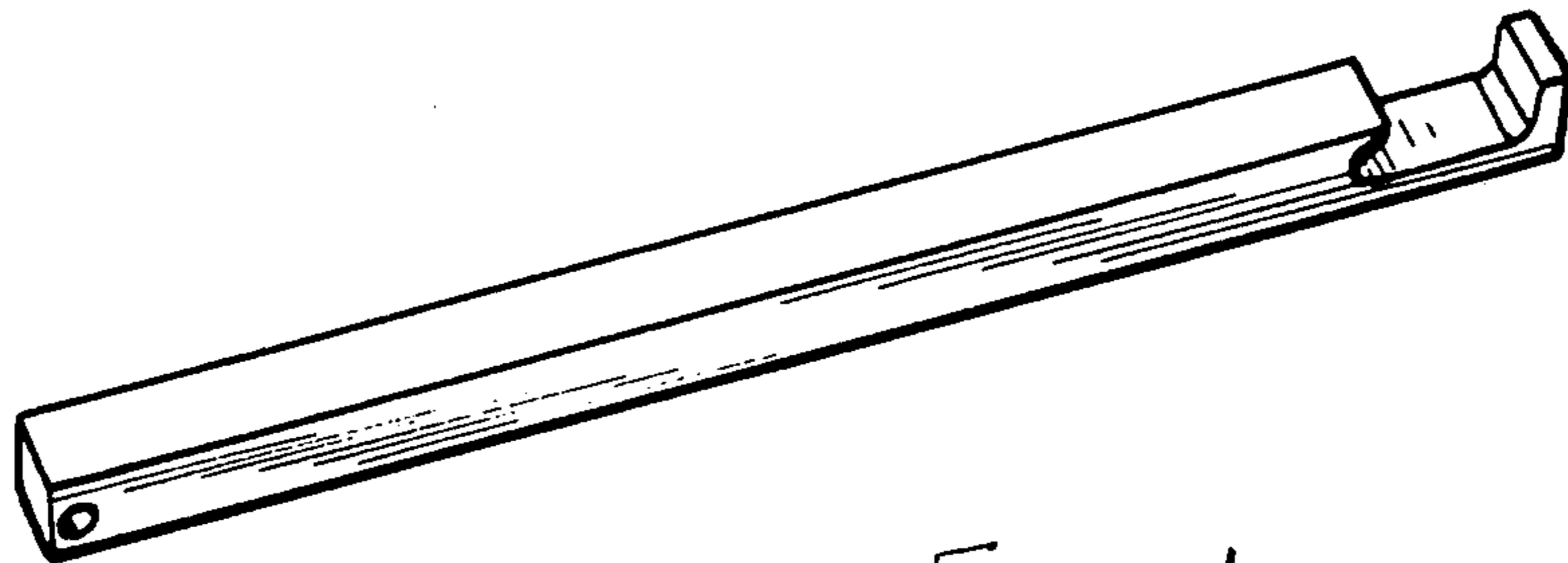


FIG. 1

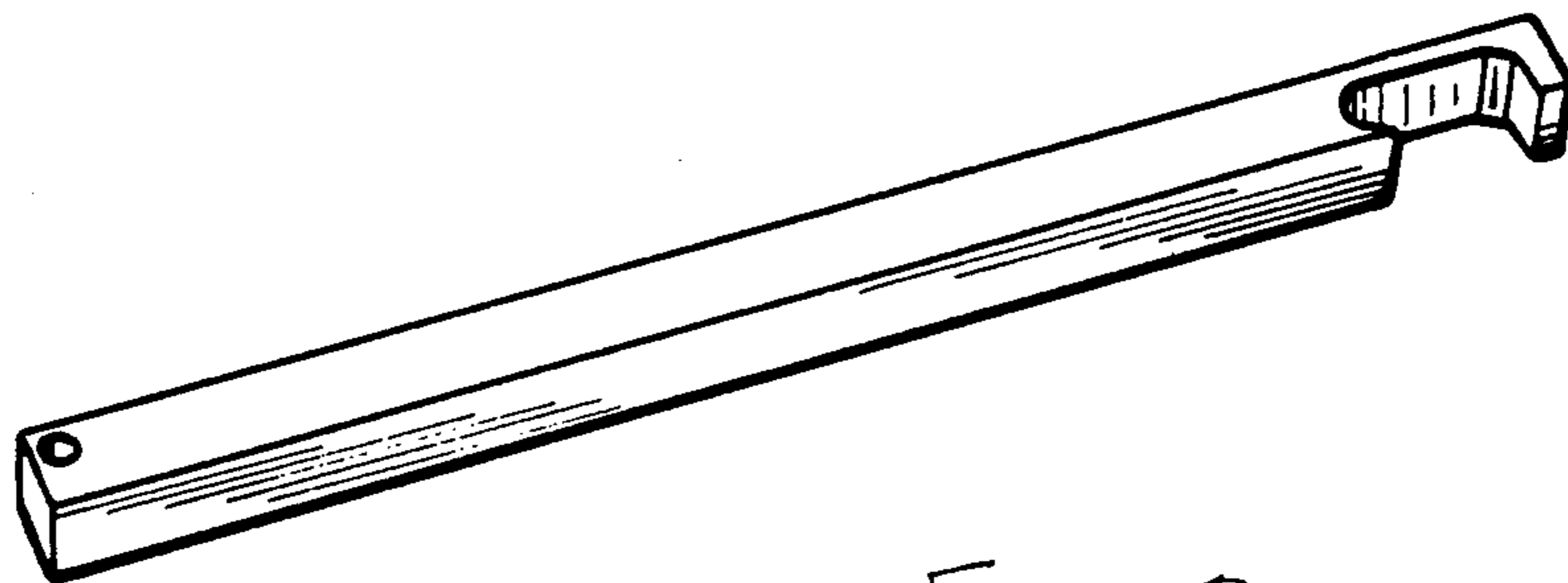


FIG. 2