

[54] GAS BURNER OR SIMILAR ARTICLE

[75] Inventor: Claude Alain Richard Monnet, Paris, France

[73] Assignee: Shell International Petroleum Company Limited, London, England

[**] Term: 14 Years

[21] Appl. No.: 587,879

[22] Filed: June 18, 1975

[30] Foreign Application Priority Data
Dec. 19, 1974 France 74.73454

[51] Int. Cl. D7-04

[52] U.S. Cl. D7/136

[58] Field of Search D7/107-110,
D7/121, 129, 130, 136; 126/1 R, 25 R, 25 A, 25
AA, 25 BC, 29, 30, 9 R, 9 A, 9 B, 4, 38, 37 R,
37 A, 37 B, 39 R, 39 E, 43, 44

[56] References Cited

U.S. PATENT DOCUMENTS

3,933,146	1/1976	Hastings	126/38
D. 214,857	8/1969	Feldkircher	D7/136
D. 232,149	7/1974	Bergquist	D7/136
D. 236,867	9/1975	Horholt	D7/136

FOREIGN PATENT DOCUMENTS

561,531	1/1957	Belgium	126/44
---------	--------	---------------	--------

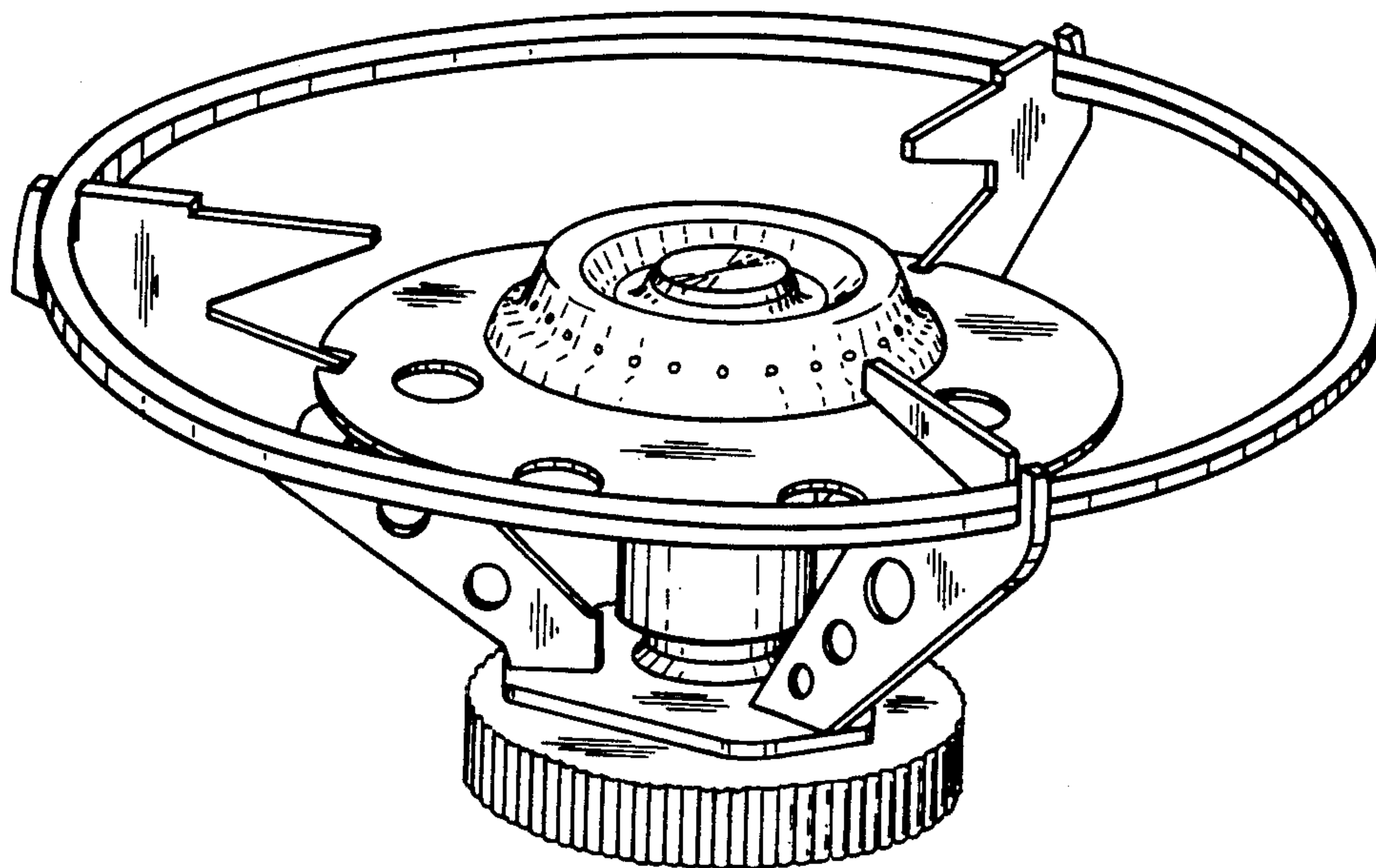
Primary Examiner—Wallace R. Burke
Assistant Examiner—Catherine Kemper
Attorney, Agent, or Firm—Herbert L. Lerner

[57] CLAIM

The ornamental design for the gas burner or similar article, as shown.

DESCRIPTION

FIG. 1 is a perspective view taken from above of a gas burner embodying my new design;
FIG. 2 is a plan view from below of the gas burner of FIG. 1, and
FIG. 3 is a bottom perspective view of the gas burner of FIG. 1.



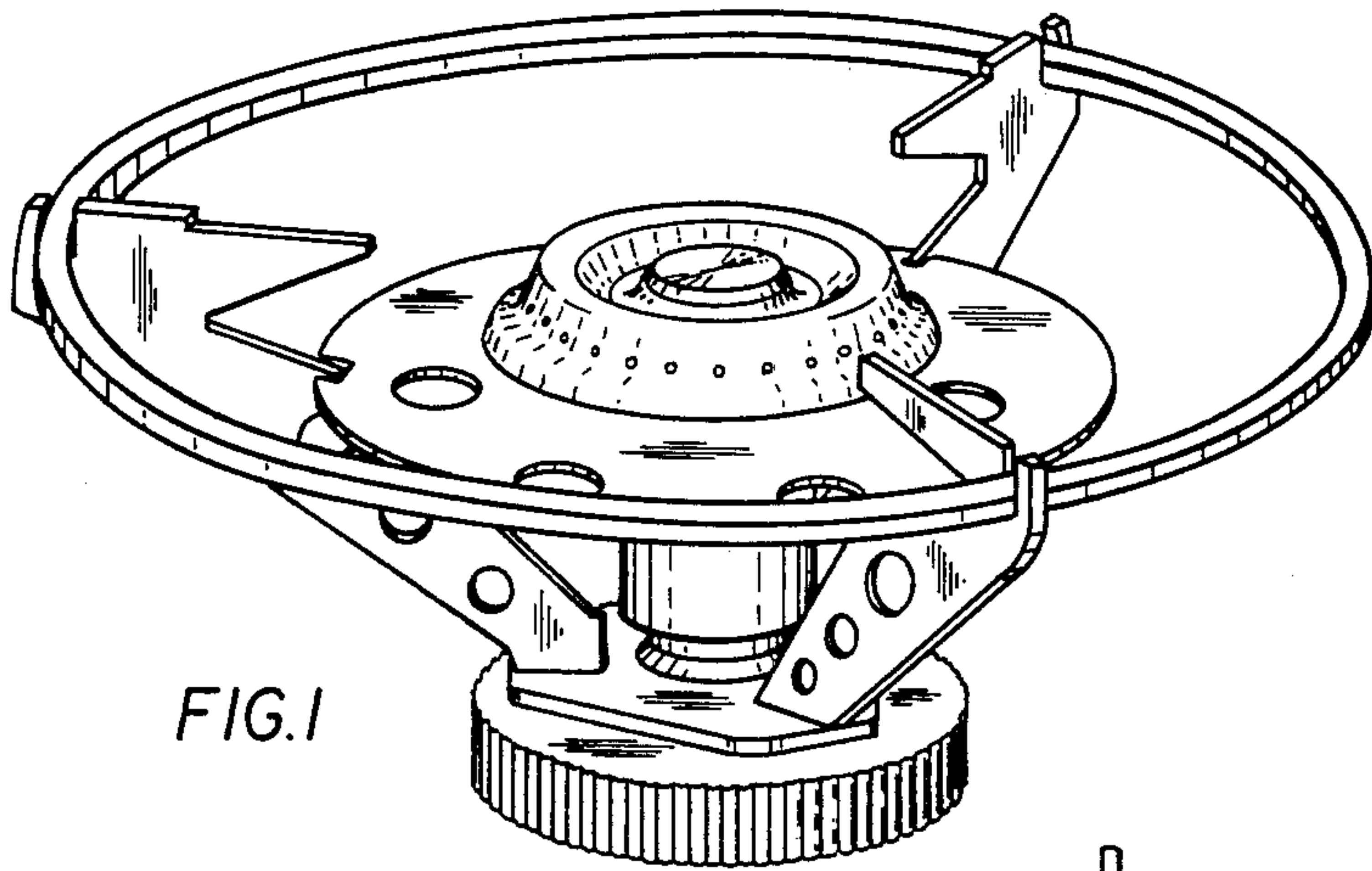


FIG. 1

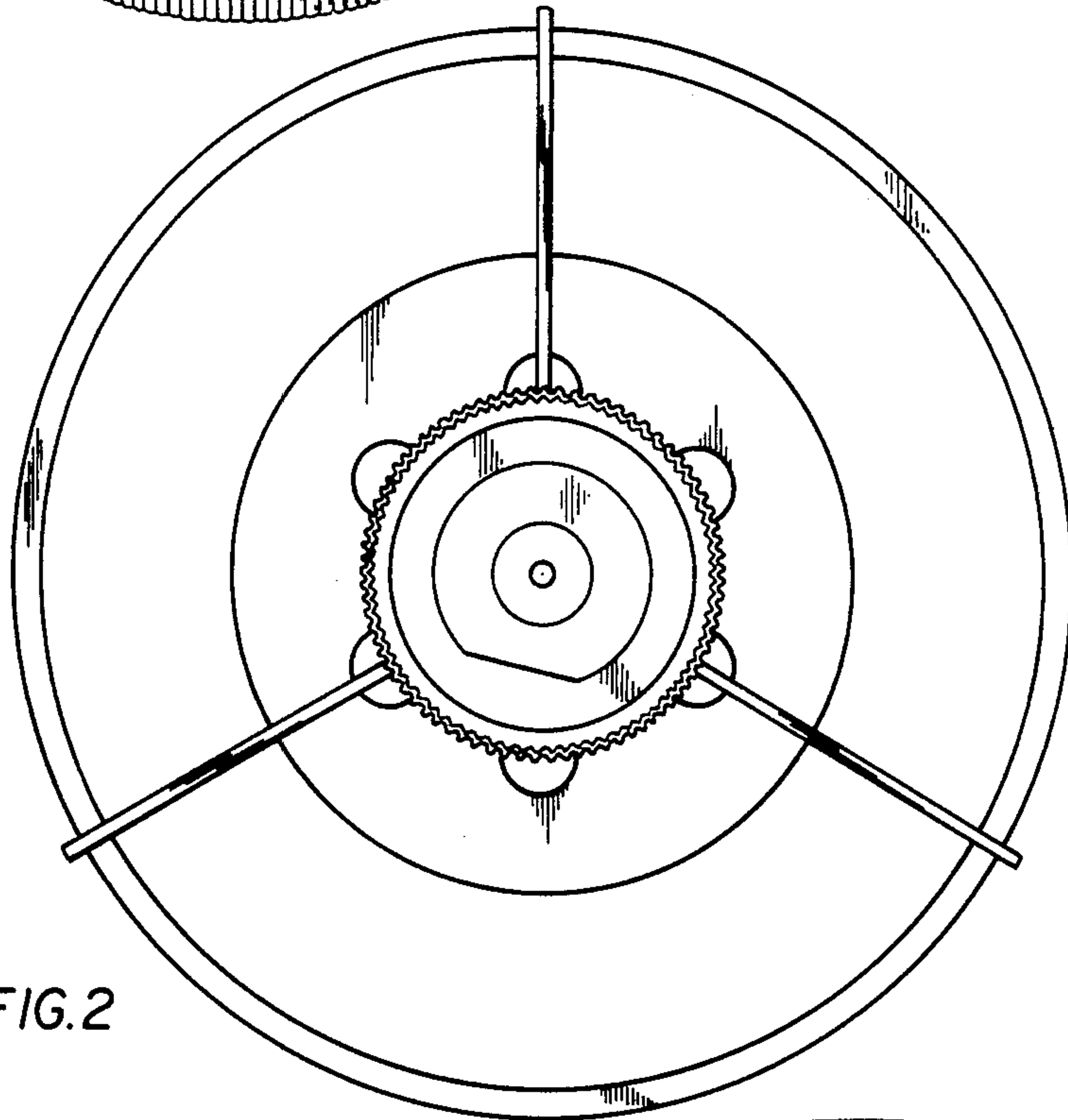


FIG. 2

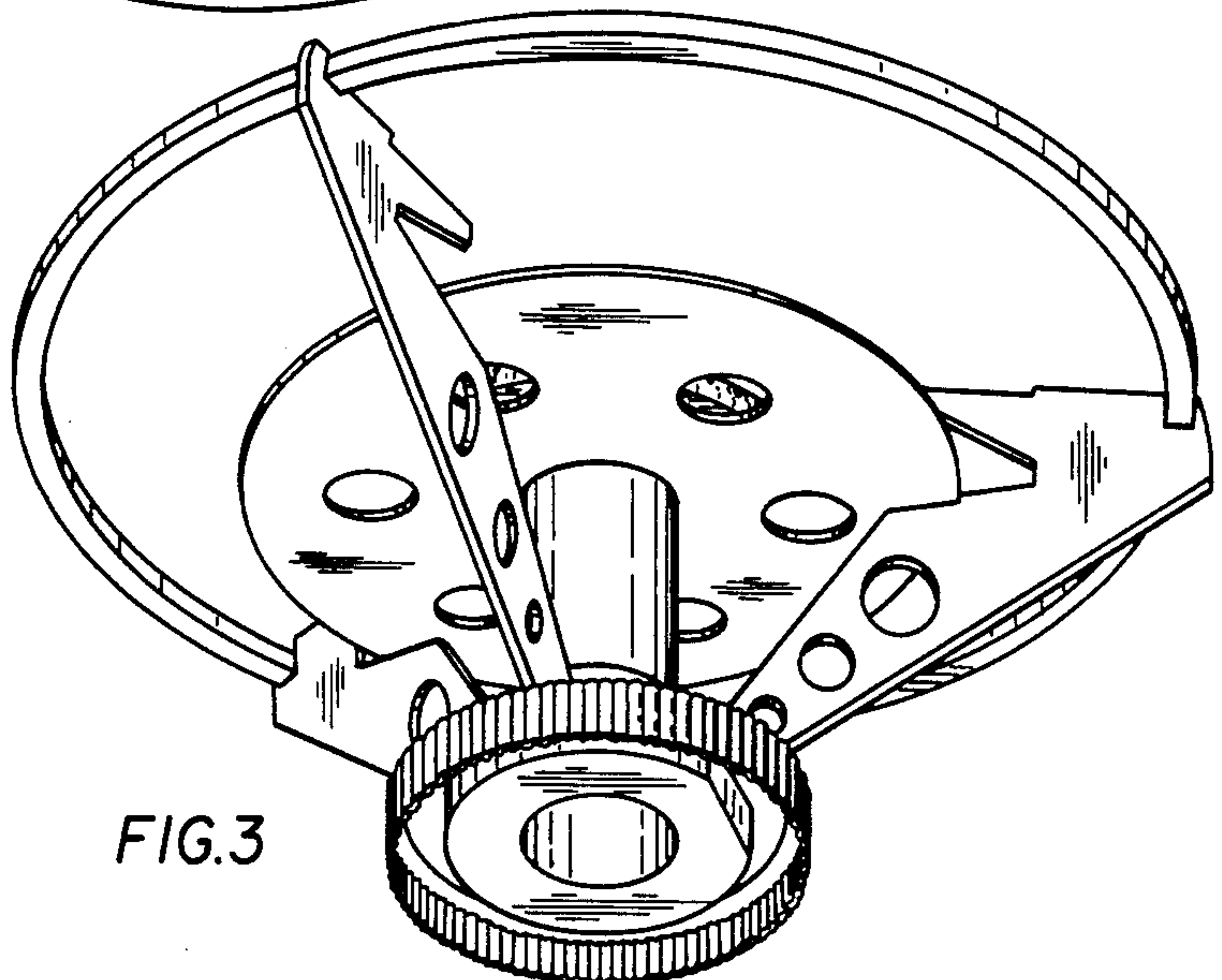


FIG. 3