

[54] SEAT OR SIMILAR ARTICLE

[75] Inventors: Peter D. Piper; Kent W. Bouldin, both of Dallas, Tex.

[73] Assignee: Peter Piper Plastics, Inc., Dallas, Tex.

[**] Term: 14 Years

[21] Appl. No.: 624,651

[22] Filed: Oct. 22, 1975

[51] Int. Cl. D6-01

[52] U.S. Cl. D6/69

[58] Field of Search D6/37-39, D6/65-78, 47

[56] References Cited

U.S. PATENT DOCUMENTS

3,695,702	10/1972	Ingellis	D6/66 X
D. 191,786	11/1961	Kaltsas	D6/69
D. 235,947	7/1975	Vyeda	D6/73 X

OTHER PUBLICATIONS

Interiors, 3-1956, p. 129, chair left center.
Interiors, 6-1974, p. 118, chair right center.

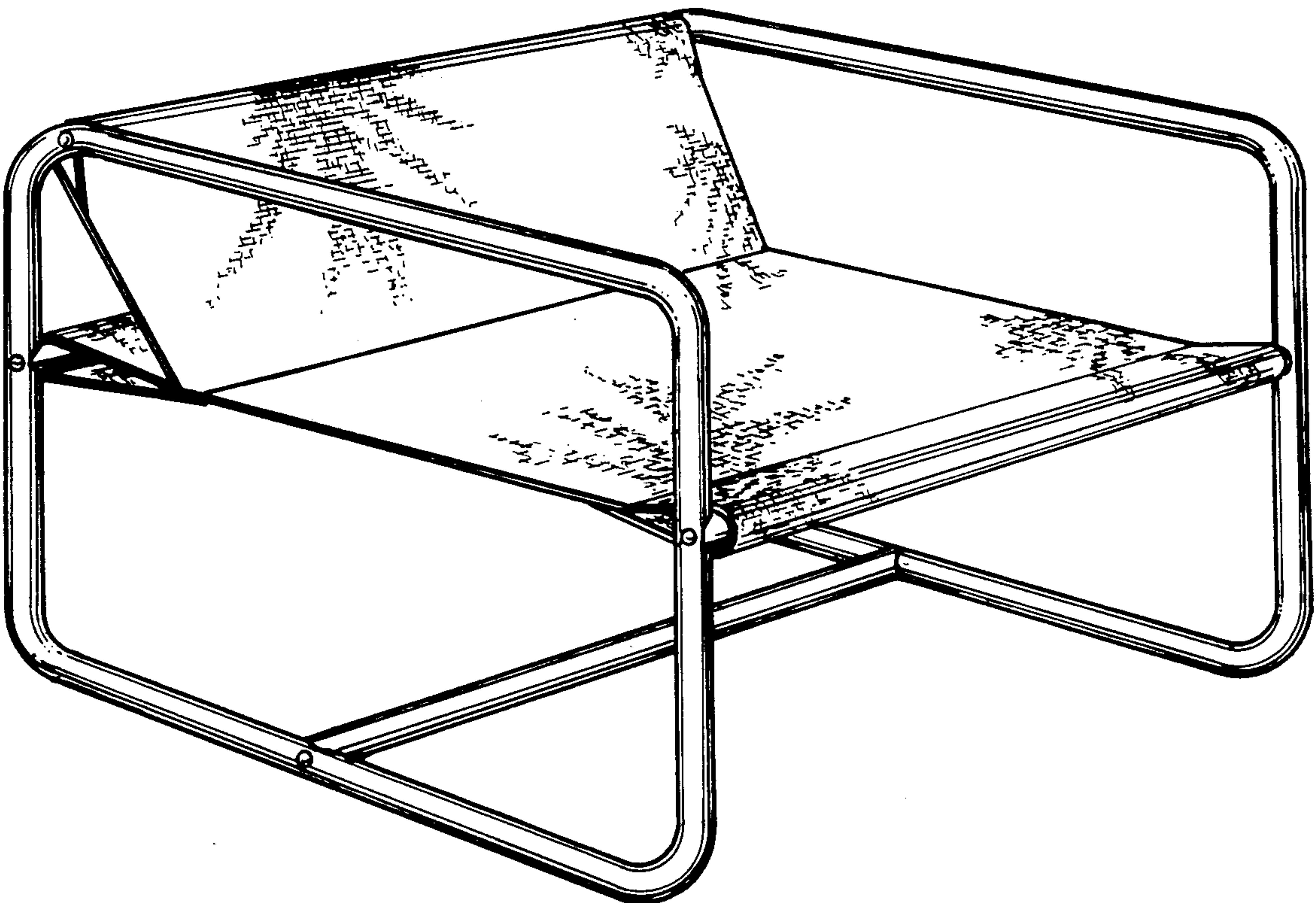
Primary Examiner—Bruce W. Dunkins
Attorney, Agent, or Firm—Ronald D. Cohn

[57] CLAIM

The ornamental design for a seat or similar article, substantially as shown.

DESCRIPTION

FIG. 1 is a front perspective view of the inventive seat or similar article in the form of a chair;
 FIG. 2 is a side elevation of the seat or similar article illustrated in FIG. 1;
 FIG. 3 is a front elevation of the seat or similar article illustrated in FIG. 1;
 FIG. 4 is a rear elevation of the seat or similar article illustrated in FIG. 1;
 FIG. 5 is a front perspective view of the seat or similar article illustrated in FIG. 1, shown in the form of a love seat; and
 FIG. 6 is a front perspective view of the inventive seat or similar article illustrated in FIG. 1, shown in the form of a sofa.



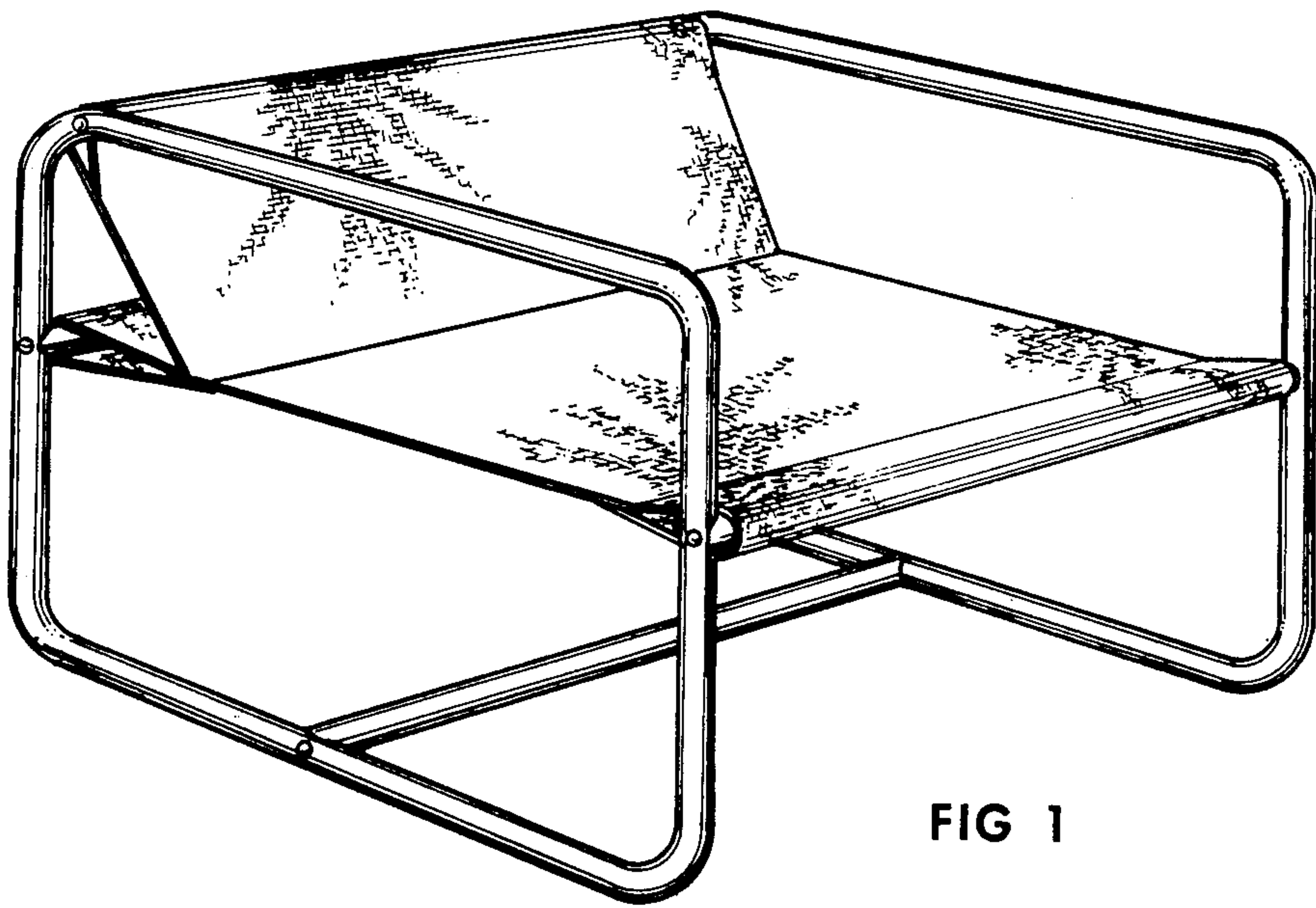


FIG 1

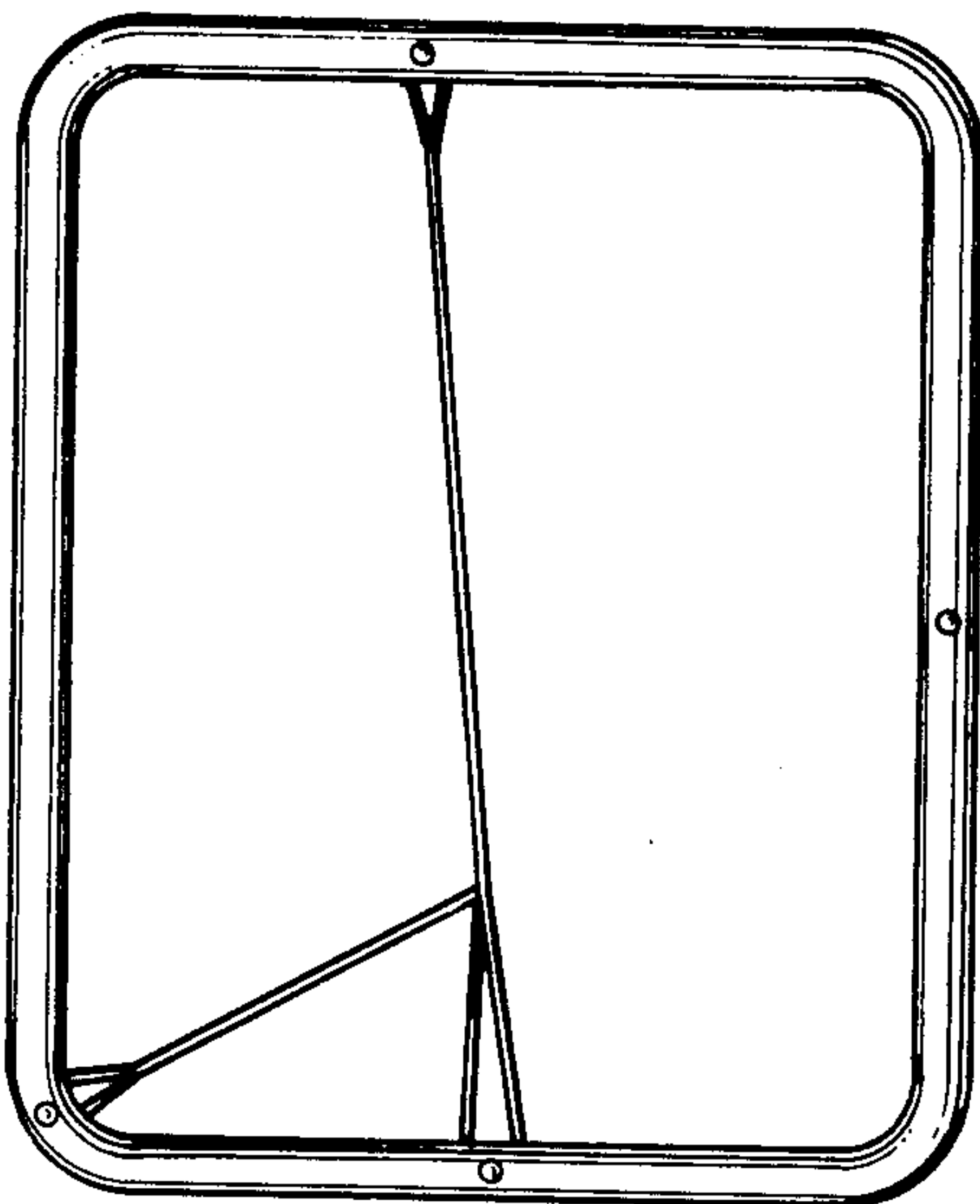


FIG 2

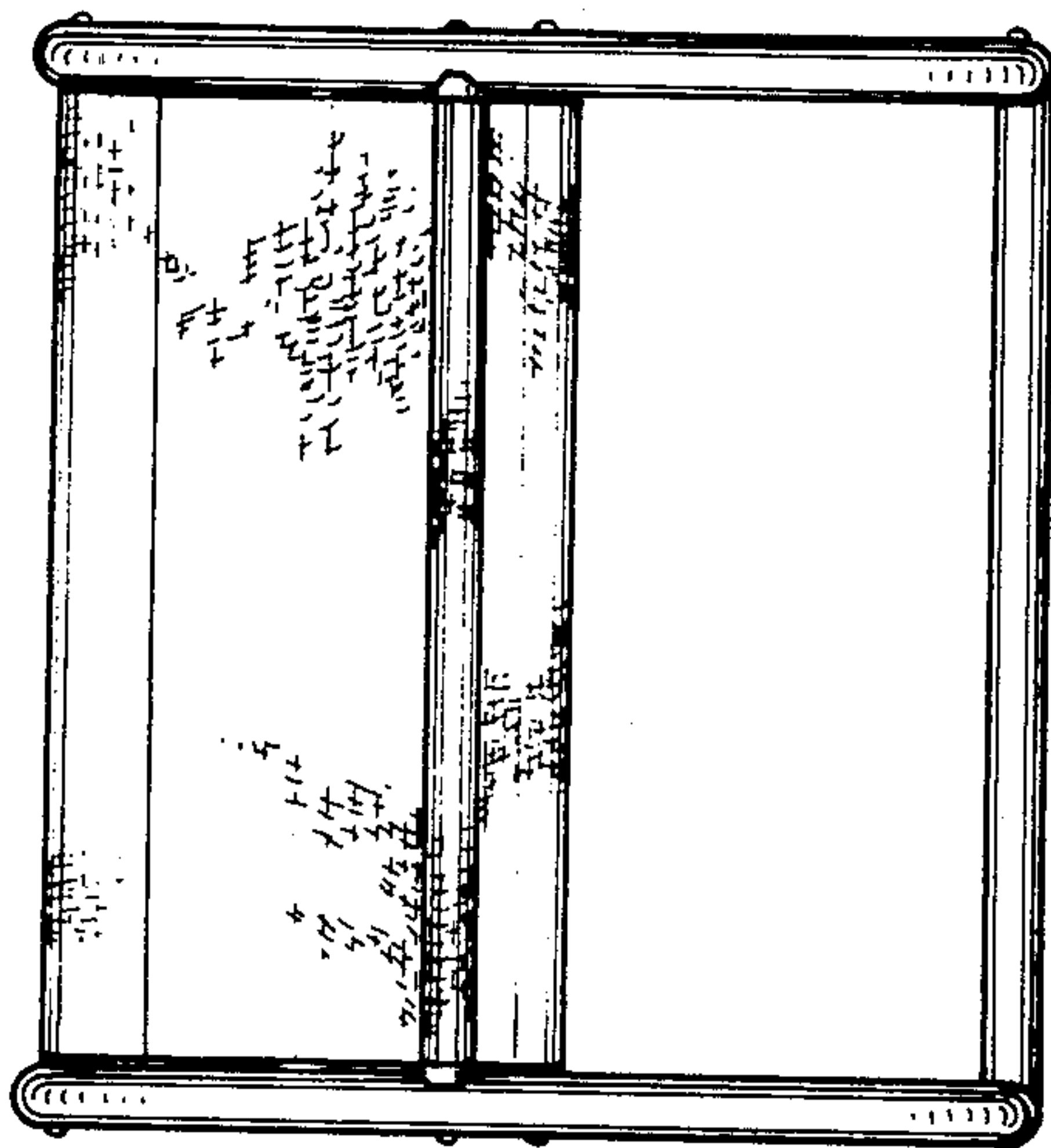


FIG 3

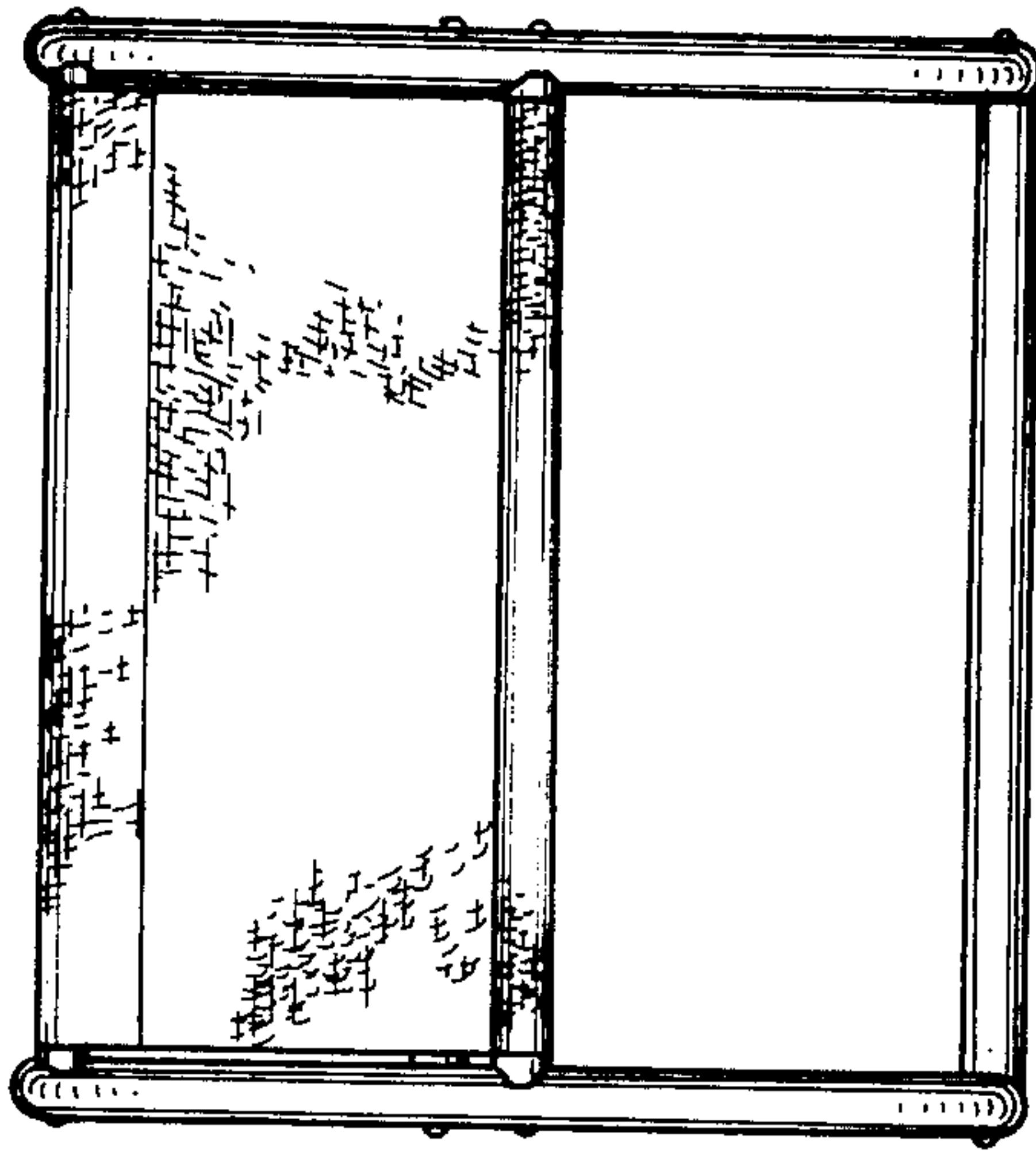


FIG 4

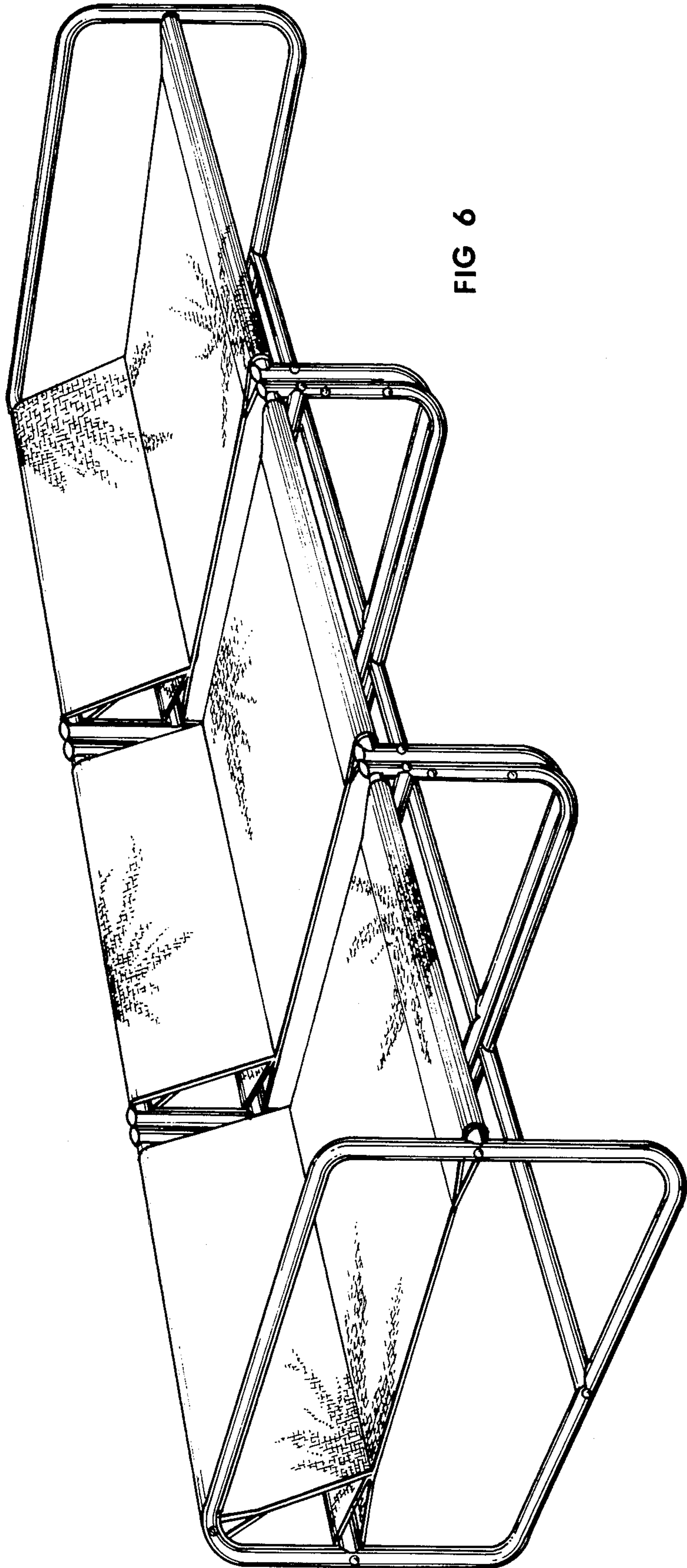


FIG 6