

[54] **MISSAL STAND**

[76] **Inventor:** Joseph W. Matthews, 1700 S. Glendon Drive, Melbourne, Fla. 32901

[**] **Term:** 14 Years

[21] **Appl. No.:** 623,724

[22] **Filed:** Oct. 20, 1975

[51] **Int. Cl.** D6-99

[52] **U.S. Cl.** D6/29

[58] **Field of Search** D6/18, 29, 184, 185

[56] **References Cited**

U.S. PATENT DOCUMENTS

D. 62,772 7/1923 Cook et al. D6/18
D. 139,445 11/1944 Barger D6/18

D. 191,360 9/1961 Bolcom D6/18
D. 226,699 4/1973 Blain D6/18

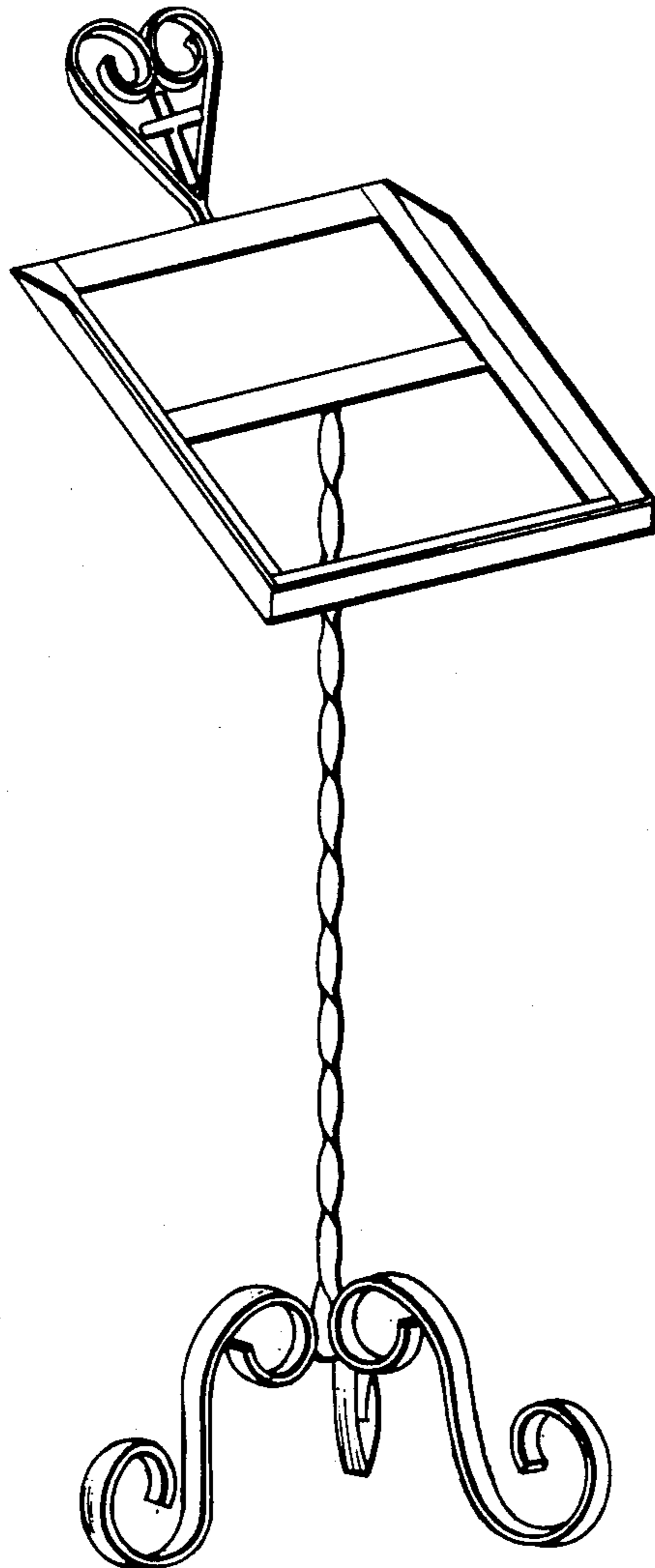
Primary Examiner—Bruce W. Dunkins
Attorney, Agent, or Firm—William M. Hobby

[57] **CLAIM**

The ornamental design for a missal stand, as shown above.

DESCRIPTION

FIG. 1 is a perspective view of a missal stand showing my design;
FIG. 2 is a fragmentary side elevational view thereof on an enlarged scale;
FIG. 3 is an enlarged top plan view of the missal stand; and,
FIG. 4 is a front elevational view thereof on a reduced scale.



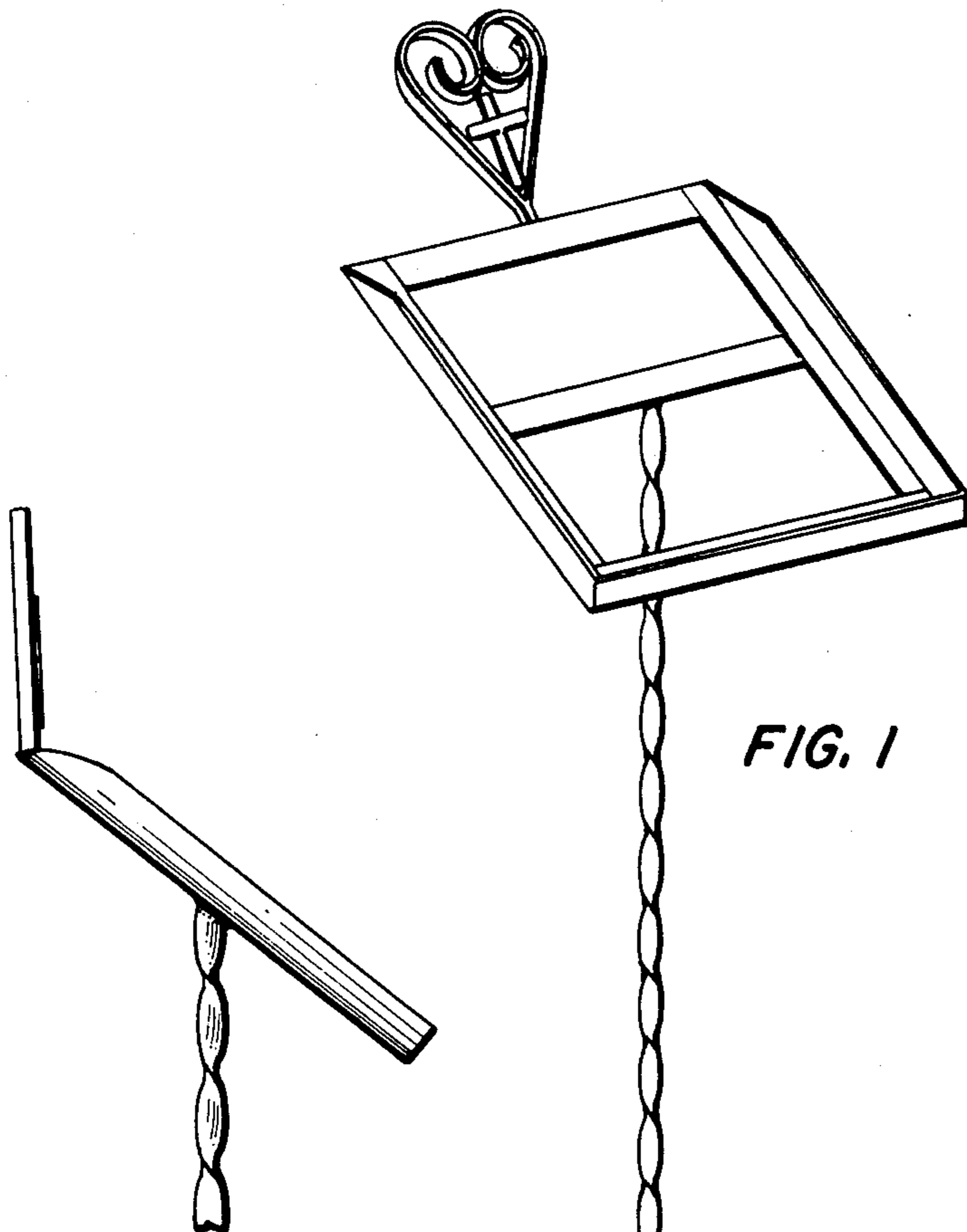


FIG. 1

FIG. 2

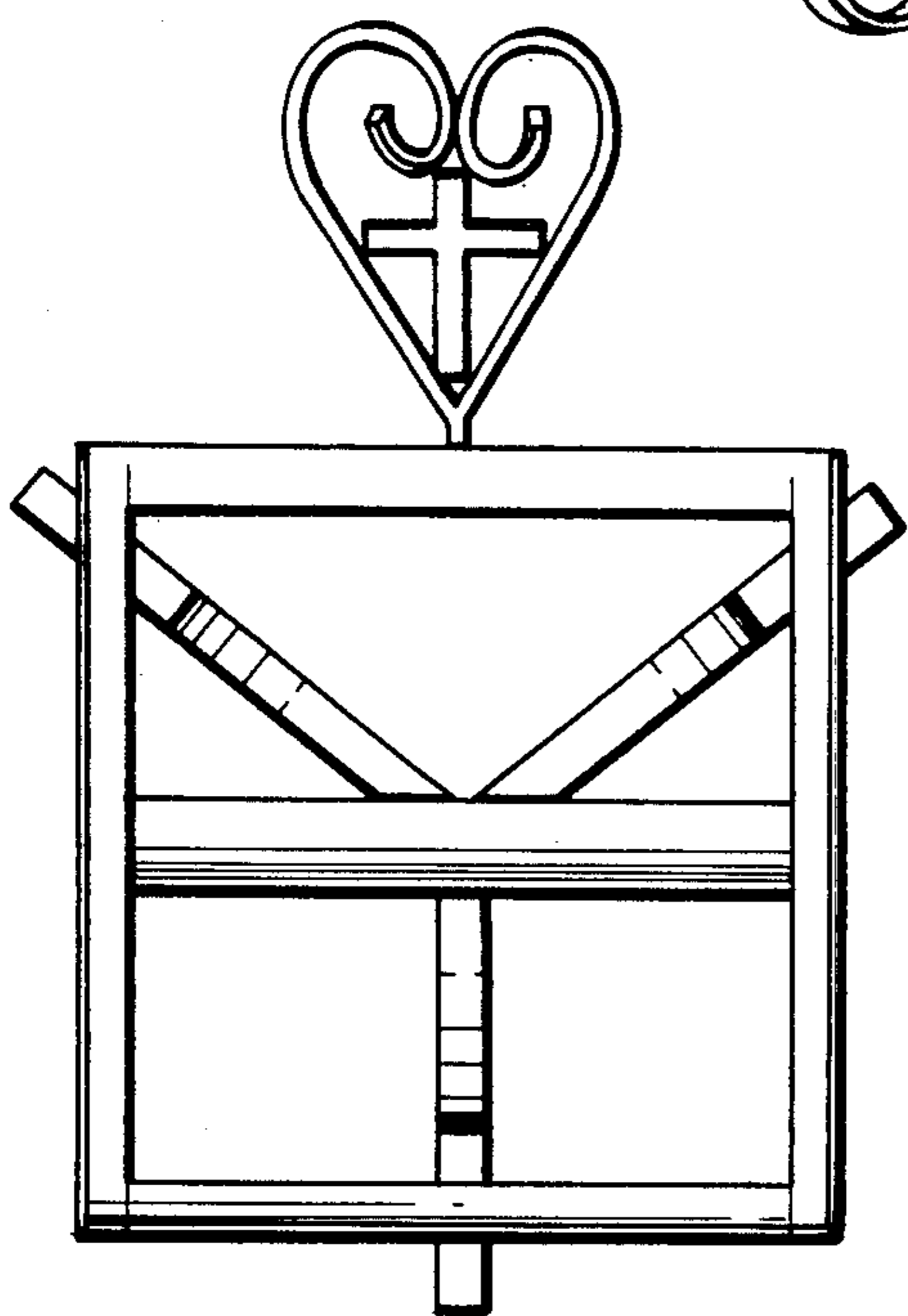


FIG. 3

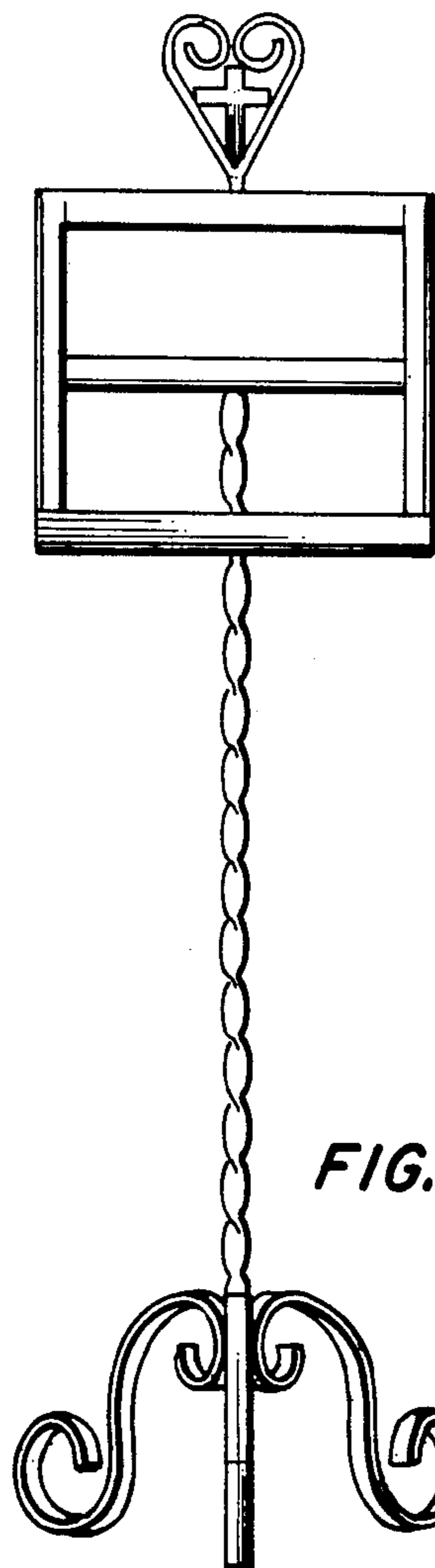


FIG. 4