

[54] BELT ATTACHABLE WATERTIGHT CONTAINER

[76] Inventor: Björn Olof Hjalmar Persson, Bergsgatan 21 B, S-832 00 Froson, Sweden

[**] Term: 14 Years

[21] Appl. No.: 573,002

[22] Filed: Apr. 30, 1975

[30] Foreign Application Priority Data

Oct. 31, 1974 Sweden 741791

[51] Int. Cl. D2-07

[52] U.S. Cl. D2/400

[58] Field of Search D2/381, 400; D27/47, D27/48, 49; 224/5 R, 5 H, 5 MC, 13, 23, 26 R, 26 B, 26 D, 26 E, 26 H, 26 J, 28 R, 28 A; 206/38, 234-236, 269-270, 96, 101, 37, 811

[56] References Cited

U.S. PATENT DOCUMENTS

1,273,264 7/1918 Moran 206/101
2,081,930 6/1937 Hoffman 206/269

D. 148,402 1/1948 Abbatiello D27/48
D. 181,960 1/1958 Donkin D2/400
D. 194,351 1/1963 Fleishman D2/400
D. 205,736 9/1966 Jordan D2/400
D. 207,373 4/1967 Rudnikofe D27/48

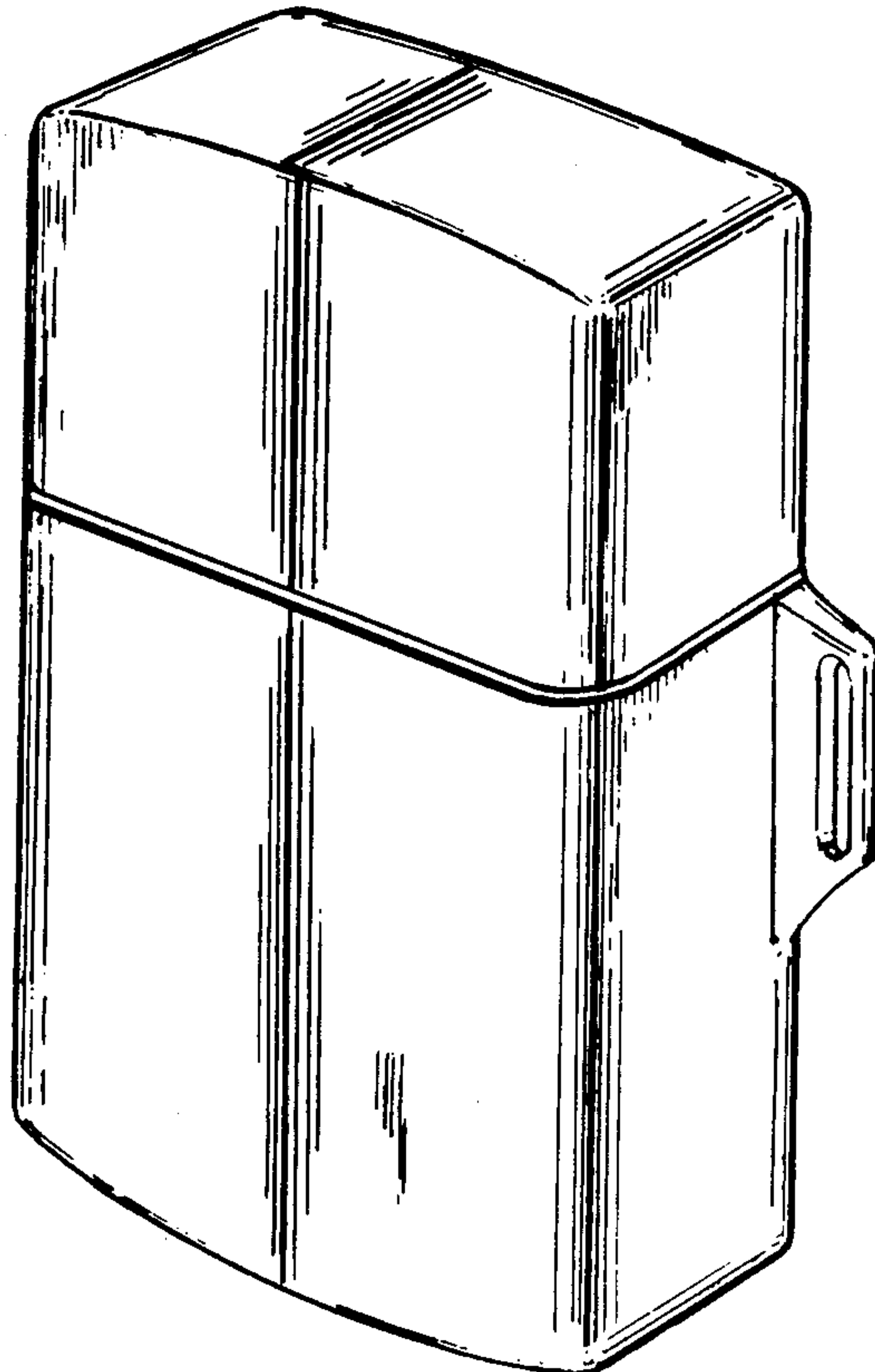
Primary Examiner—Nelson C. Hultje
Attorney, Agent, or Firm—Irvin S. Thompson

[57] CLAIM

The ornamental design for a belt attachable watertight container, as shown.

DESCRIPTION

FIG. 1 is a top perspective view of a belt attachable watertight container, showing my new design; FIG. 2 is a bottom perspective view thereof; FIG. 3 is a top perspective view thereof with the cover removed; FIG. 4 is a bottom perspective view of the cover; FIG. 5 is a cross-sectional view thereof with the cover in place; FIG. 6 is a bottom plan view thereof; FIG. 7 is a front elevational view thereof; FIG. 8 is a top plan view thereof; FIG. 9 is a side elevational view thereof; and FIG. 10 is a rear elevational view thereof.



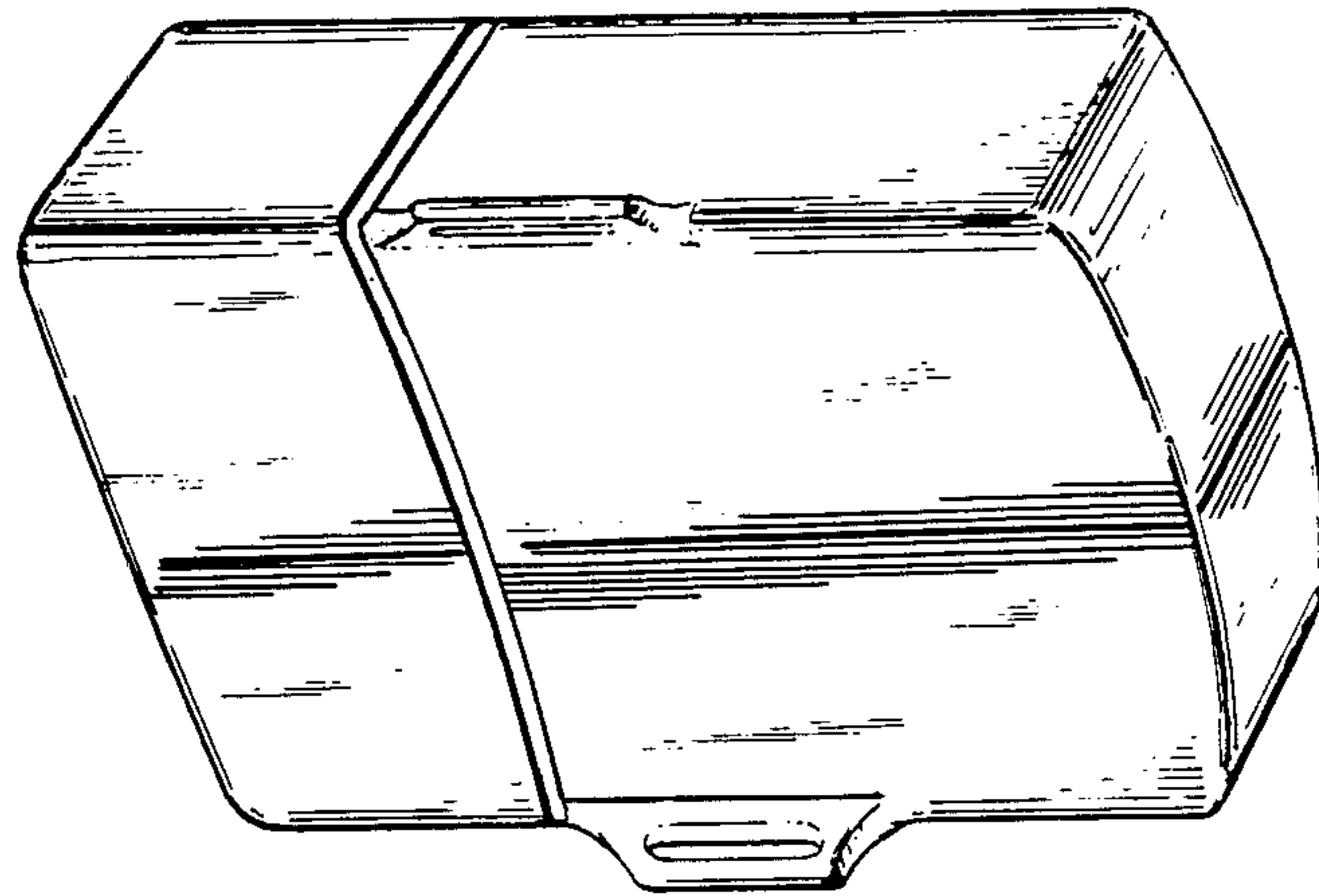


FIG. 2

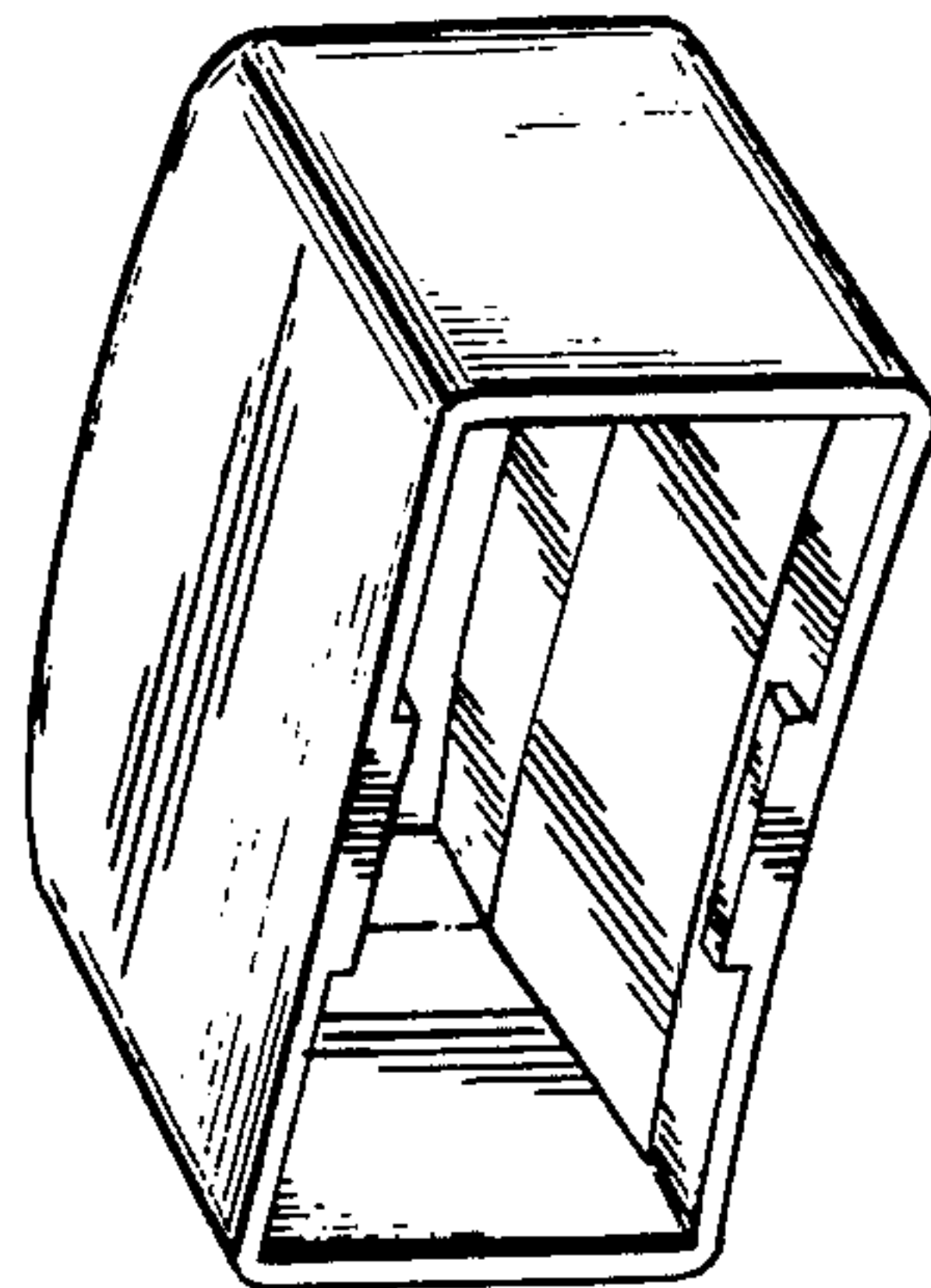


FIG. 4

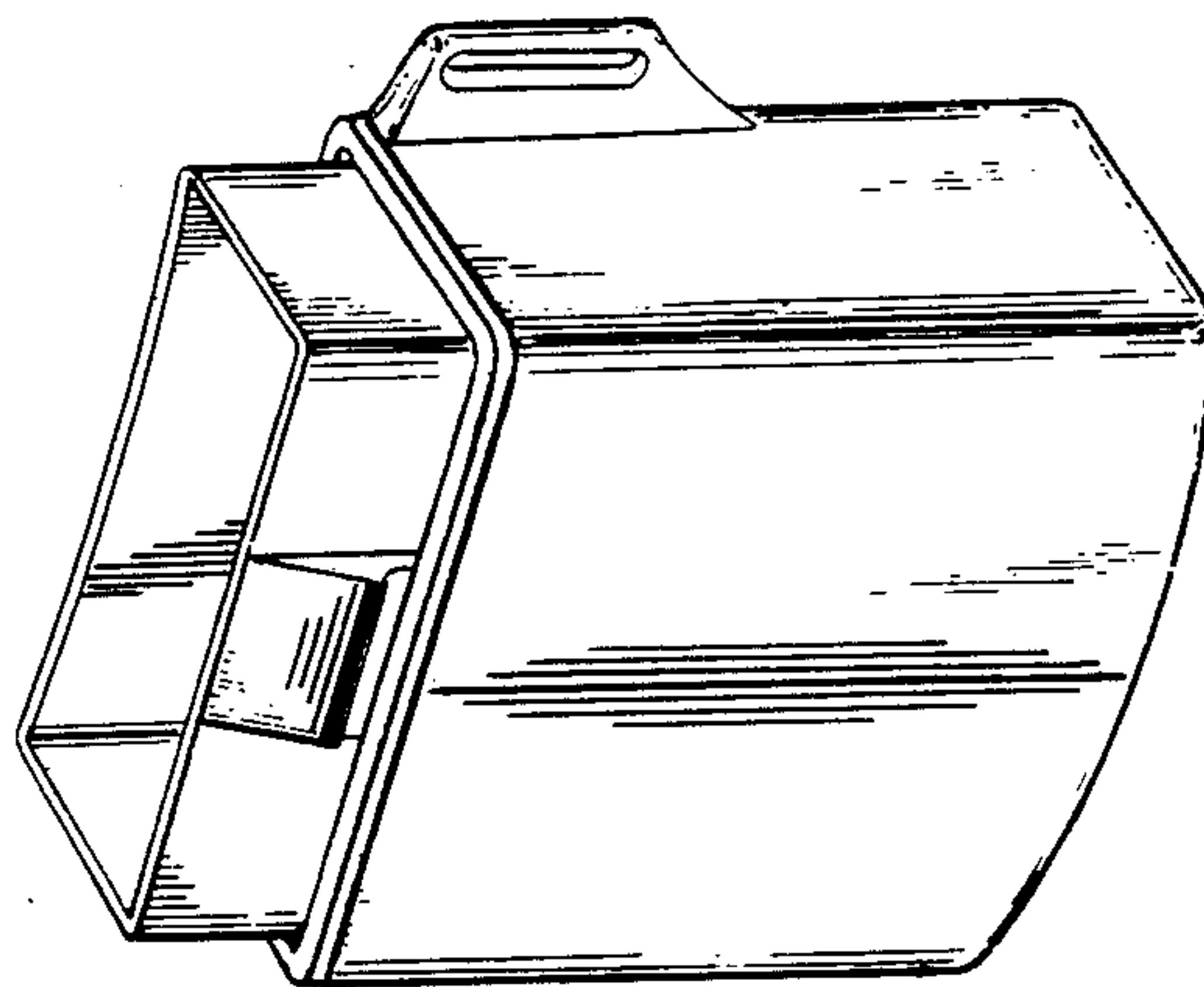


FIG. 3

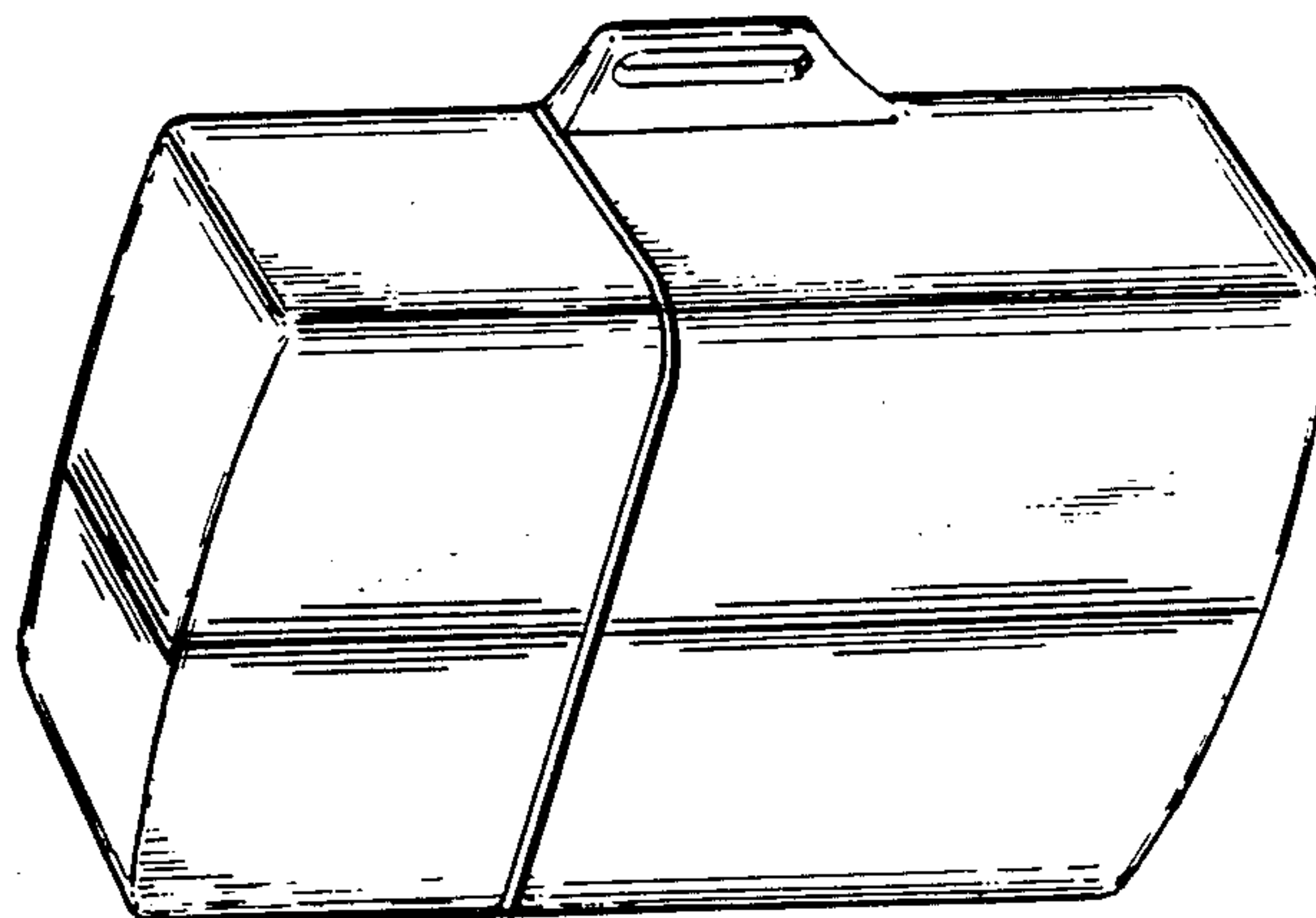


FIG. 1

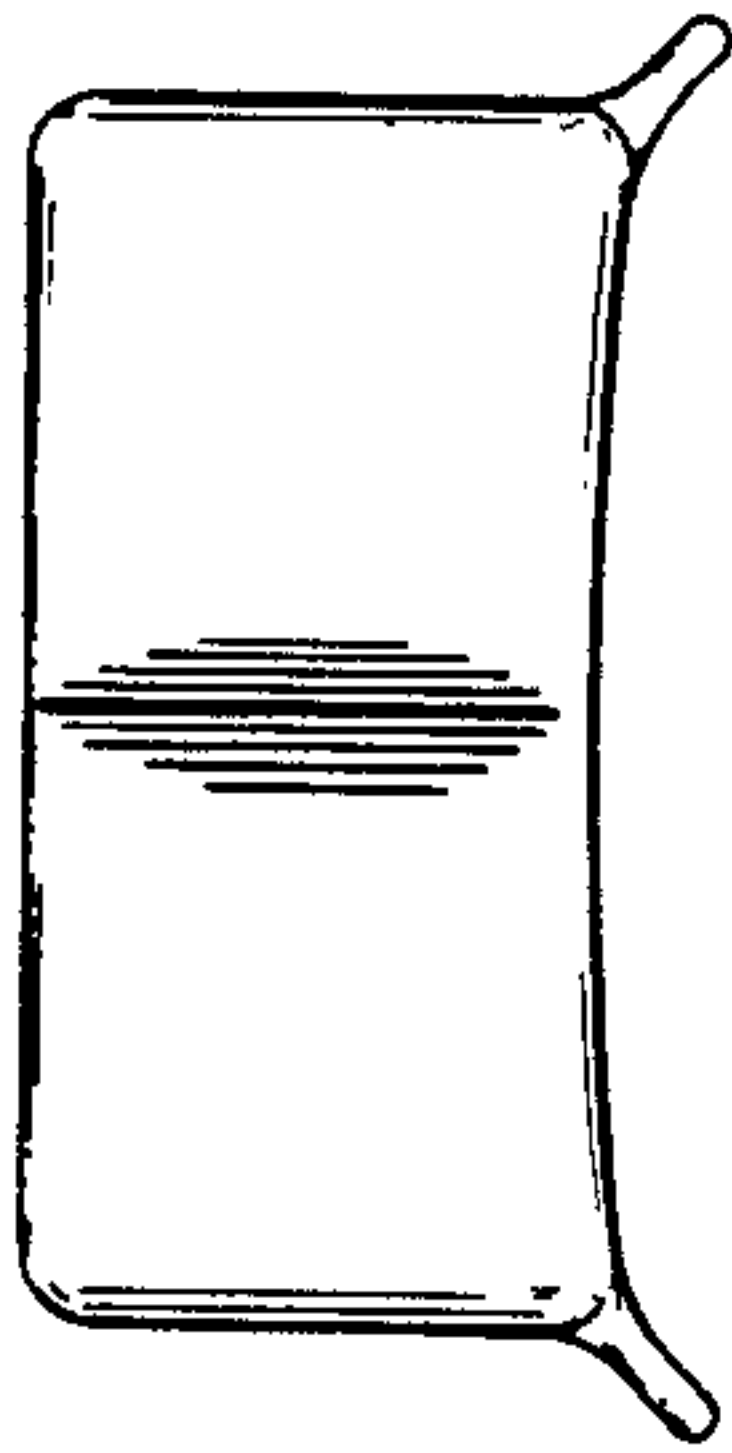


FIG. 6

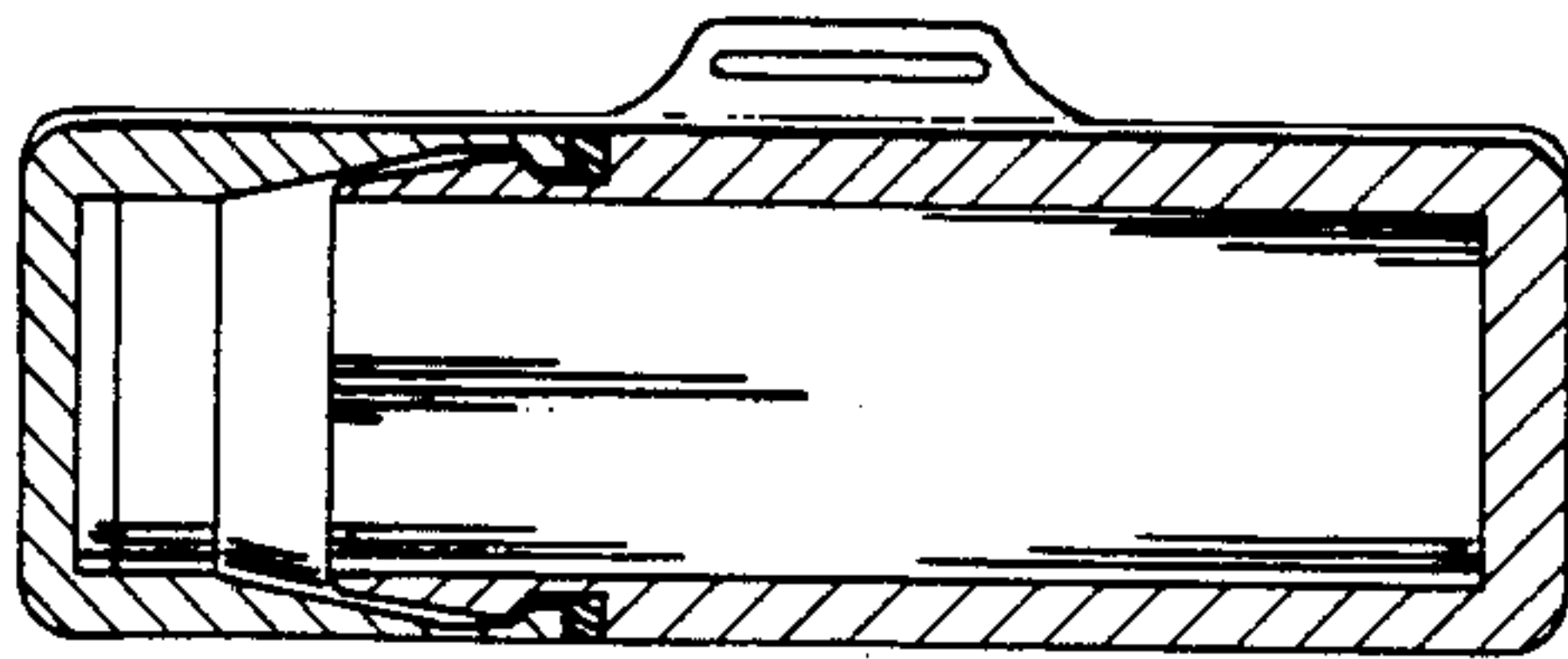


FIG. 5

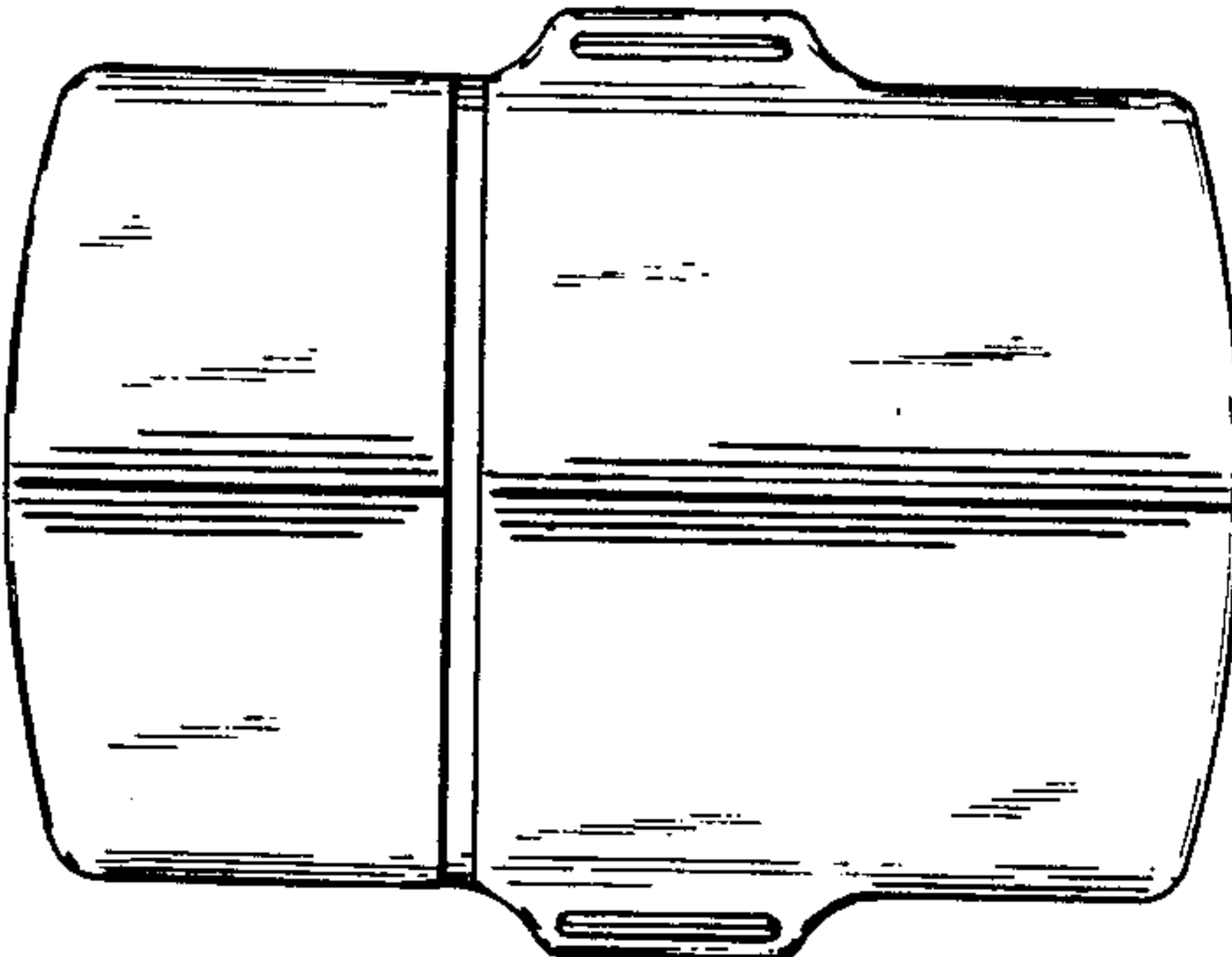


FIG. 7

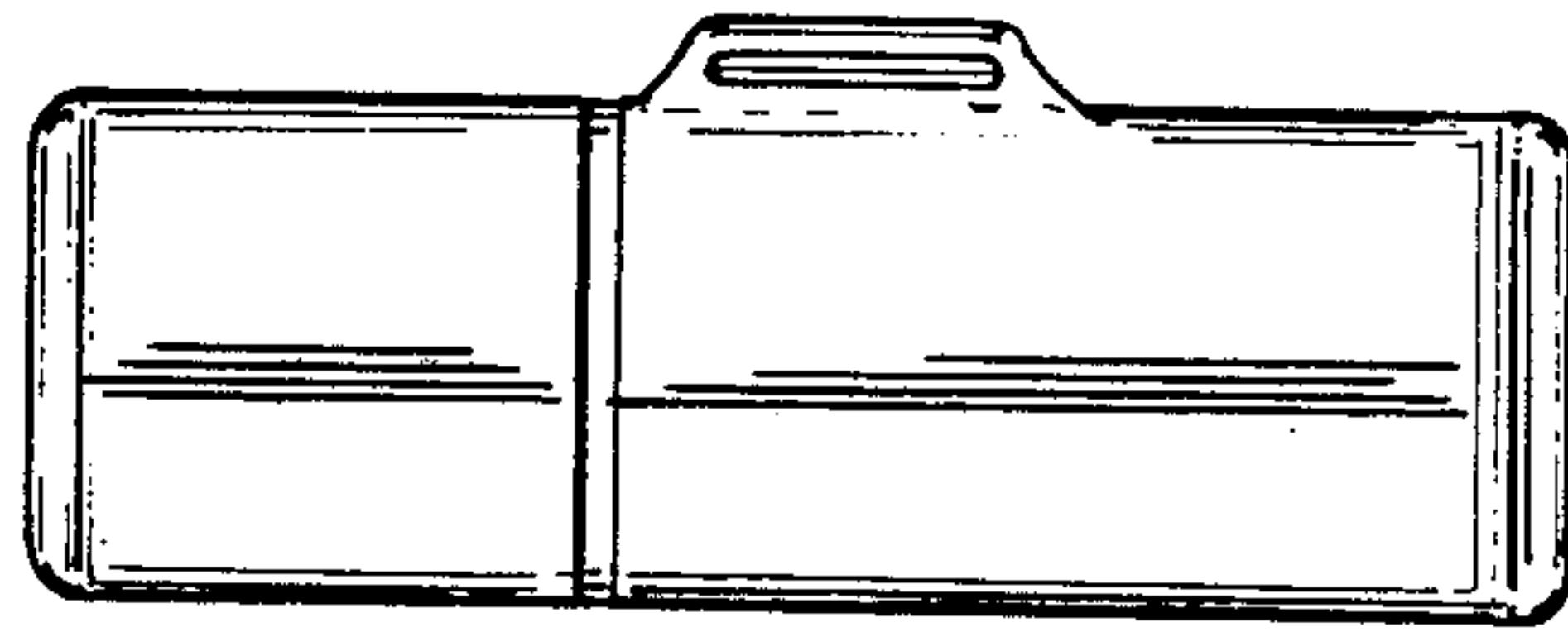


FIG. 9

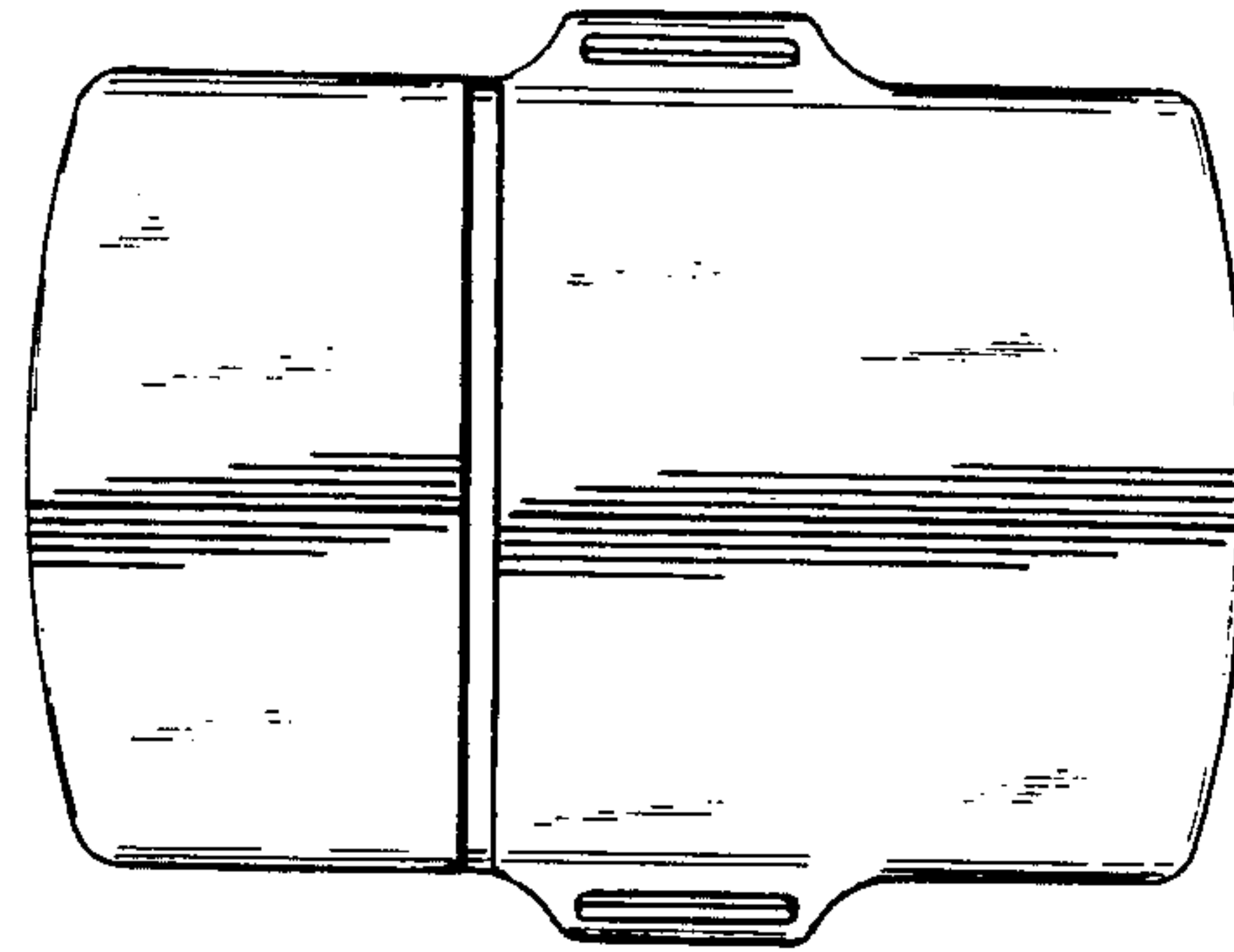


FIG. 10

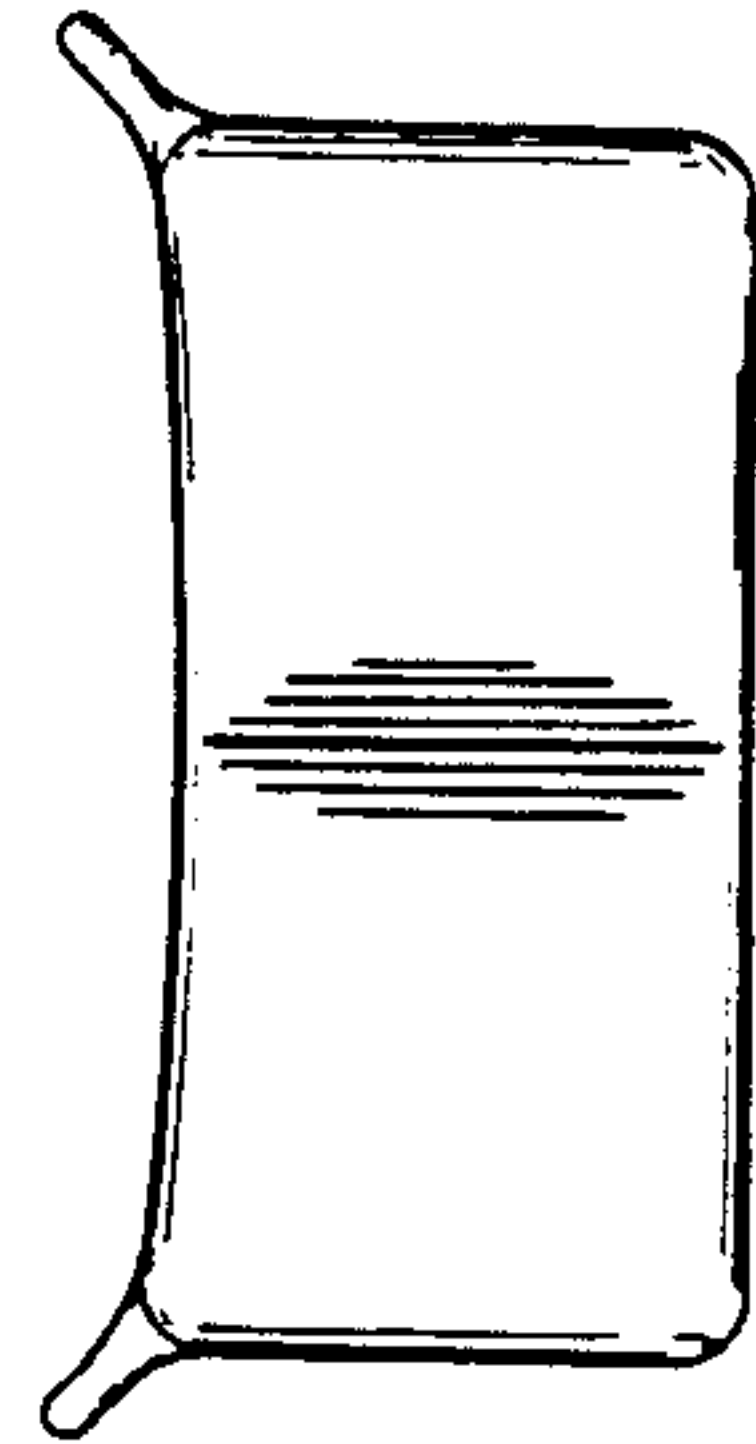


FIG. 8