

[54] MOTORCYCLIST'S SAFETY BELT

[76] Inventors: Sam Conti, 140 N. 33rd St.; Salvatore J. Catania, 113 N. 40th St., both of Omaha, Nebr. 68131

[\*\*] Term: 14 Years

[21] Appl. No.: 613,532

[22] Filed: Sept. 15, 1975

[51] Int. Cl. .... D2-07

[52] U.S. Cl. .... D2/380

[58] Field of Search ..... D2/380, 381; 2/311-312, 321-322, 338

[56] References Cited

U.S. PATENT DOCUMENTS

|           |         |            |       |          |
|-----------|---------|------------|-------|----------|
| 2,857,086 | 10/1958 | Chamberlin | ..... | D2/381 X |
| 3,896,499 | 7/1975  | Kelly      | ..... | 2/311    |
| 3,940,801 | 3/1976  | Riggs      | ..... | 2/311    |

FOREIGN PATENT DOCUMENTS

883,502 10/1971 Canada ..... 2/311

OTHER PUBLICATIONS

Geo. H. Wahn Co. Cat. No. 23 - 1942 - p. 616 - tool belts.

Primary Examiner—Nelson C. Holtje

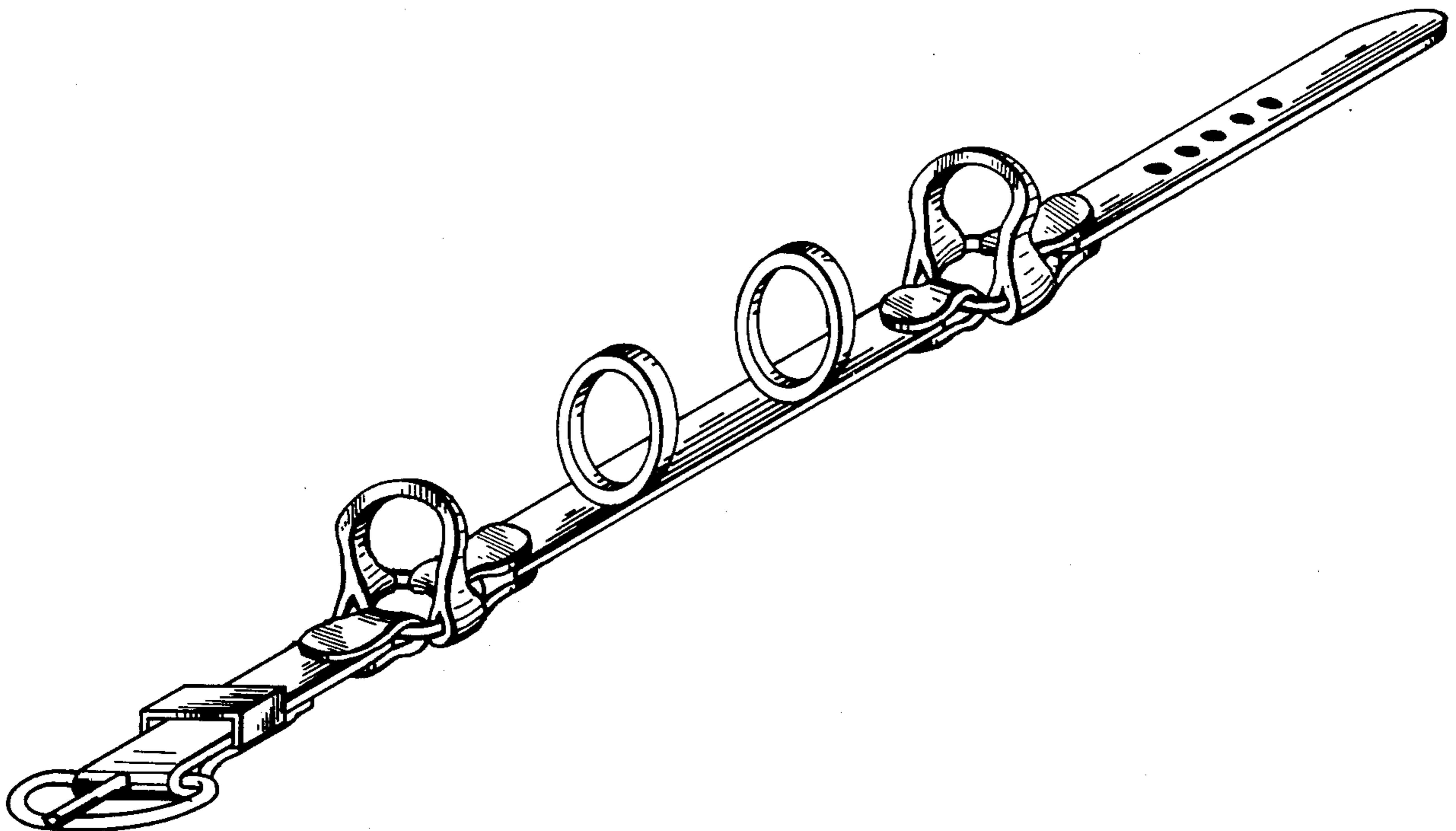
Attorney, Agent, or Firm—George R. Nimmer

[57] CLAIM

The ornamental design for a motorcyclist's safety belt, as shown and described.

DESCRIPTION

FIG. 1 is a top perspective view of a motorcyclist's safety belt showing our new design;  
 FIG. 2 is a side elevational view thereof;  
 FIG. 3 is a top plan view thereof;  
 FIG. 4 is an end elevational view as taken from line 4-4 of FIG. 3;  
 FIG. 5 is a top perspective view of another embodiment of our new design of FIG. 1;  
 FIG. 6 is a side elevational view thereof;  
 FIG. 7 is a top plan view thereof.



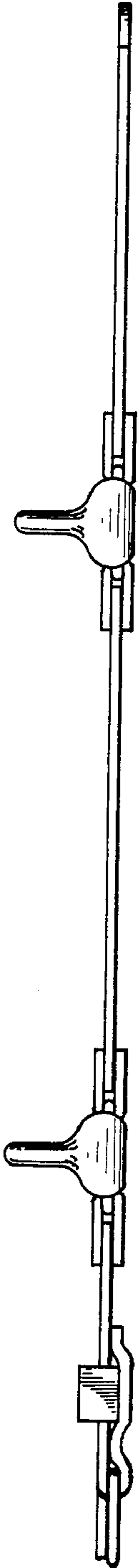


FIG. 2.

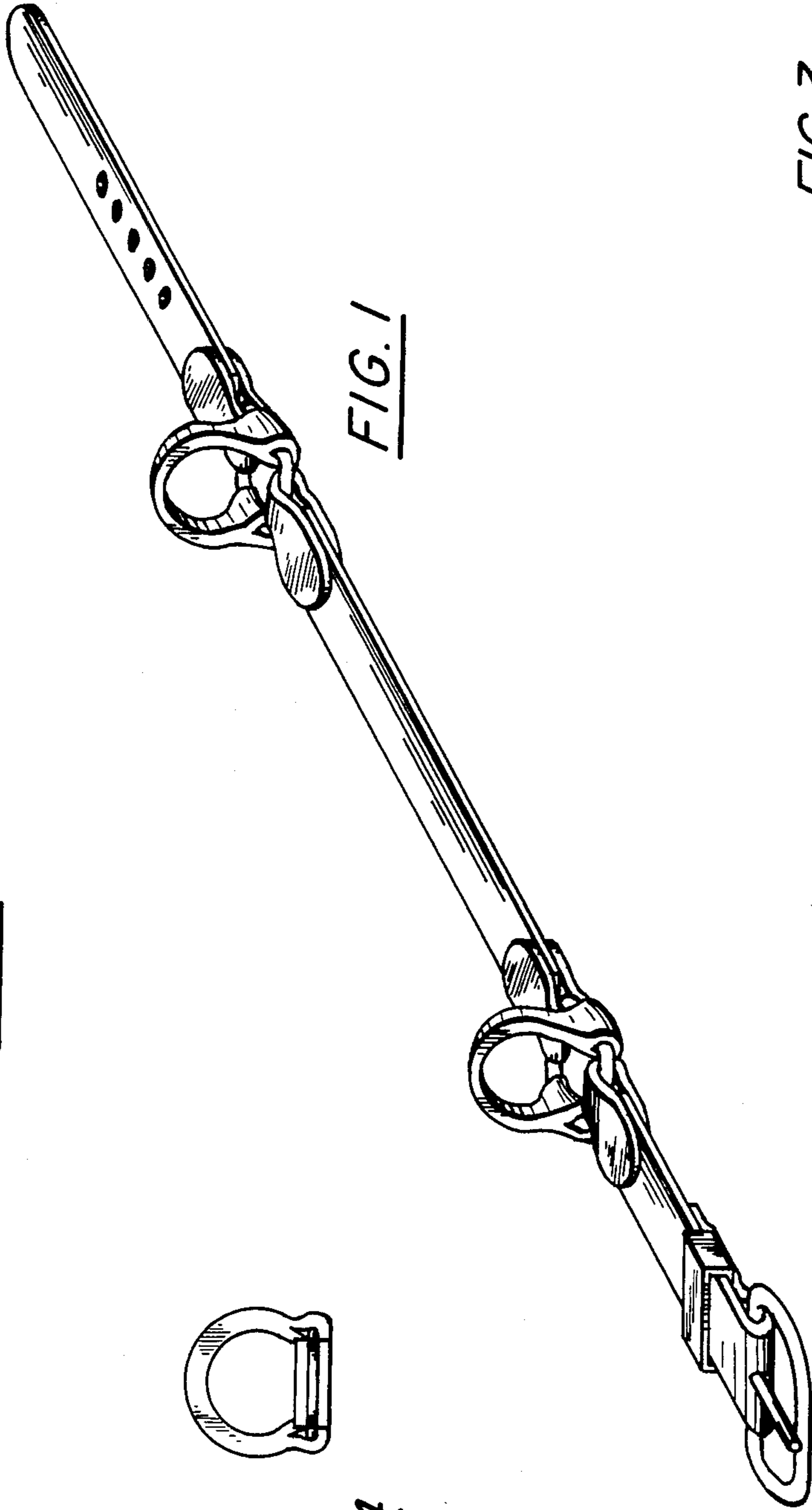


FIG. 1

FIG. 4

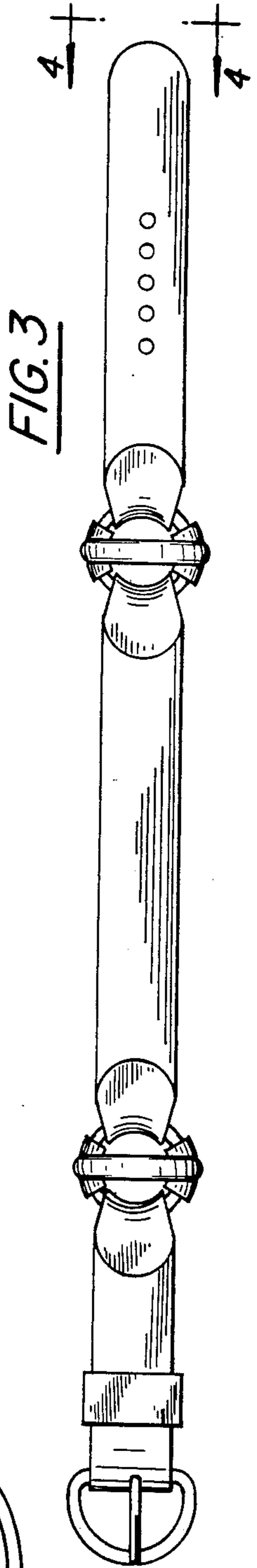


FIG. 3

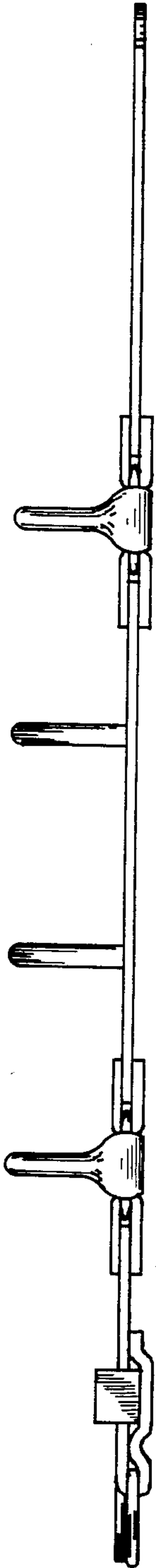


FIG. 6

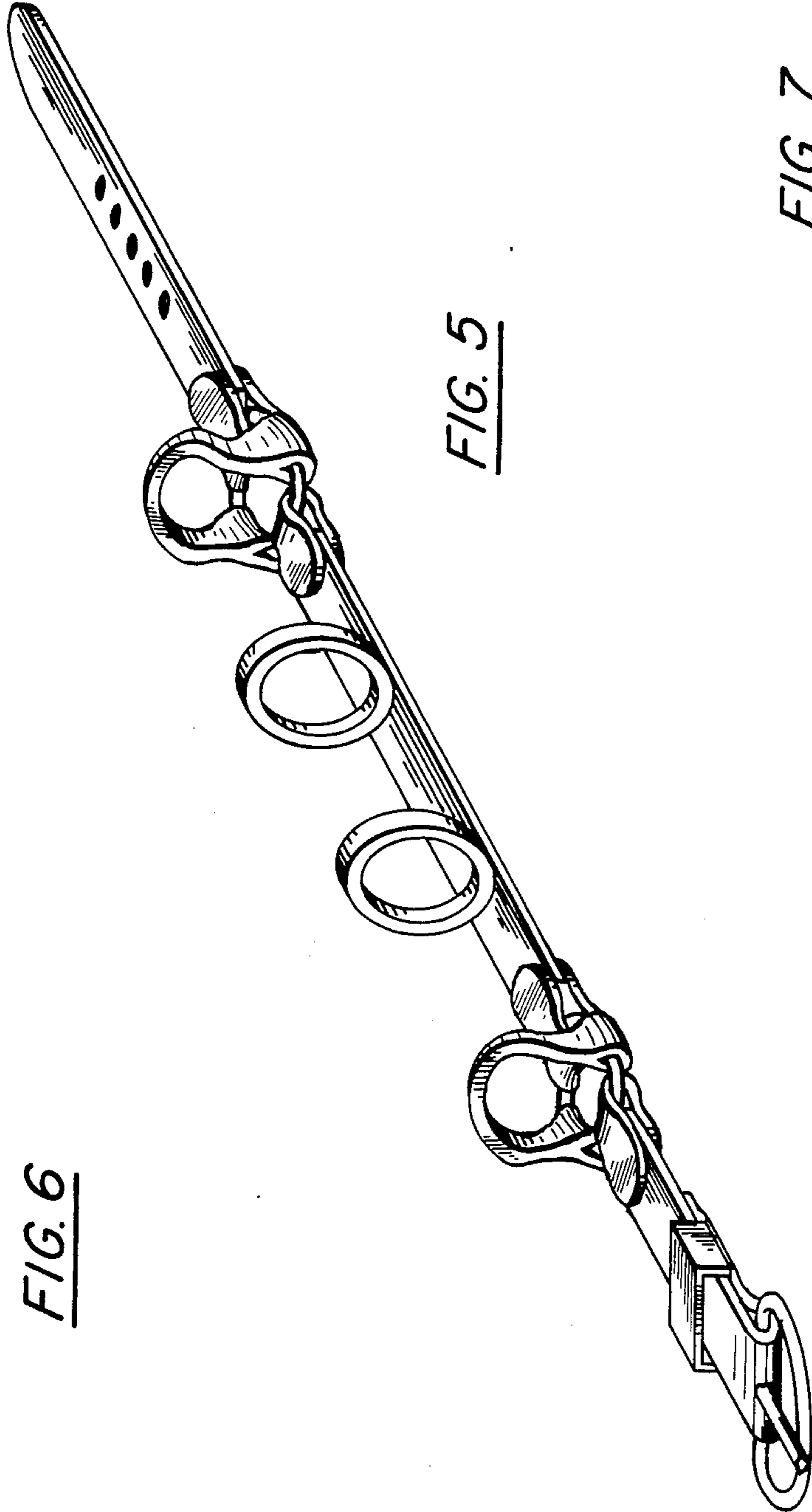


FIG. 5

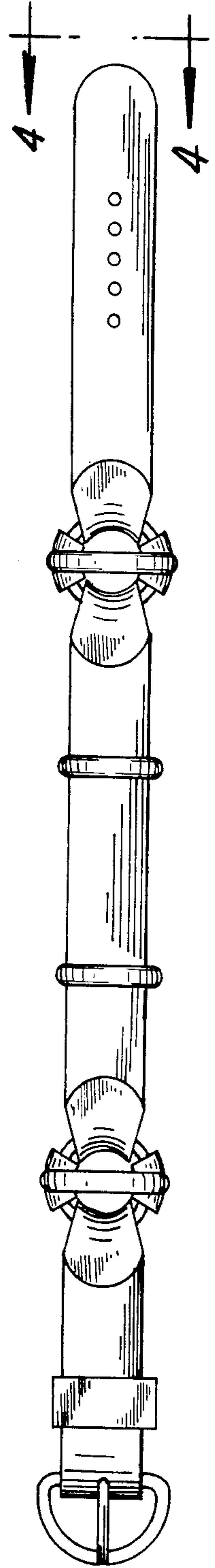


FIG. 7