

[54] FILTER FOR HEMODIALYSIS AND BLOOD OXYGENATION

3,728,256 4/1973 Cooper ..... 210/321 B X  
3,768,653 10/1973 Brumfield ..... 210/321 R  
D. 237,837 11/1975 Cooper ..... D83/1 F

[75] Inventor: Paul W. Gics, Santa Ana, Calif.

[73] Assignee: Gics Pharmaceuticals, Inc., Santa Ana, Calif.

[\*\*] Term: 14 Years

[21] Appl. No.: 614,263

[22] Filed: Sept. 17, 1975

[51] Int. Cl. .... D24-01

[52] U.S. Cl. .... D24/21

[58] Field of Search ..... D83/1 F; 210/22, 321, 210/221 R, 321 A, 321 B, 304

[56] References Cited

U.S. PATENT DOCUMENTS

3,442,388 5/1969 Pall ..... D83/1 F  
3,485,902 12/1969 Critchell ..... 210/22 X

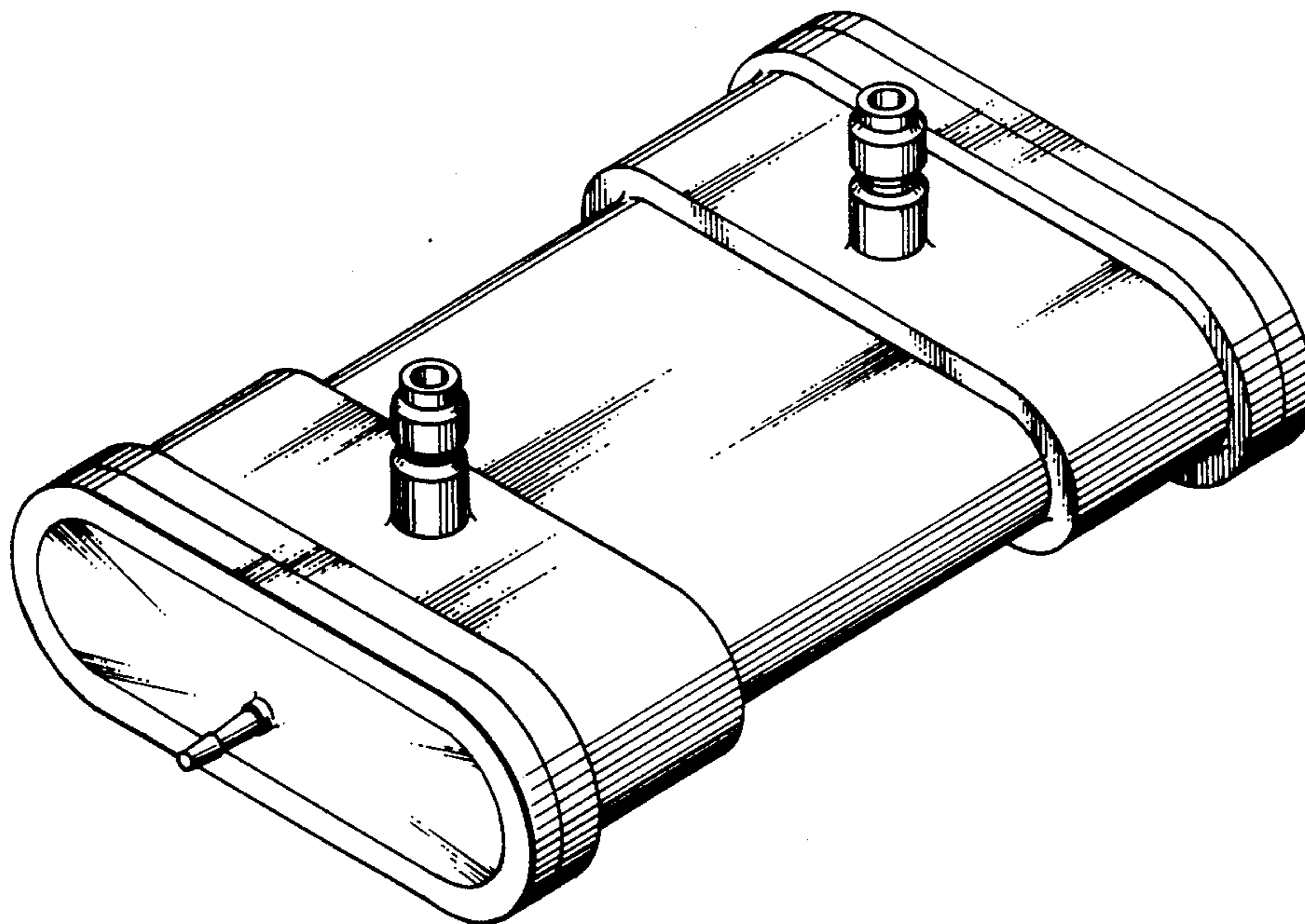
Primary Examiner—Bernard Ansher  
Attorney, Agent, or Firm—Robert L. Parker

[57] CLAIM

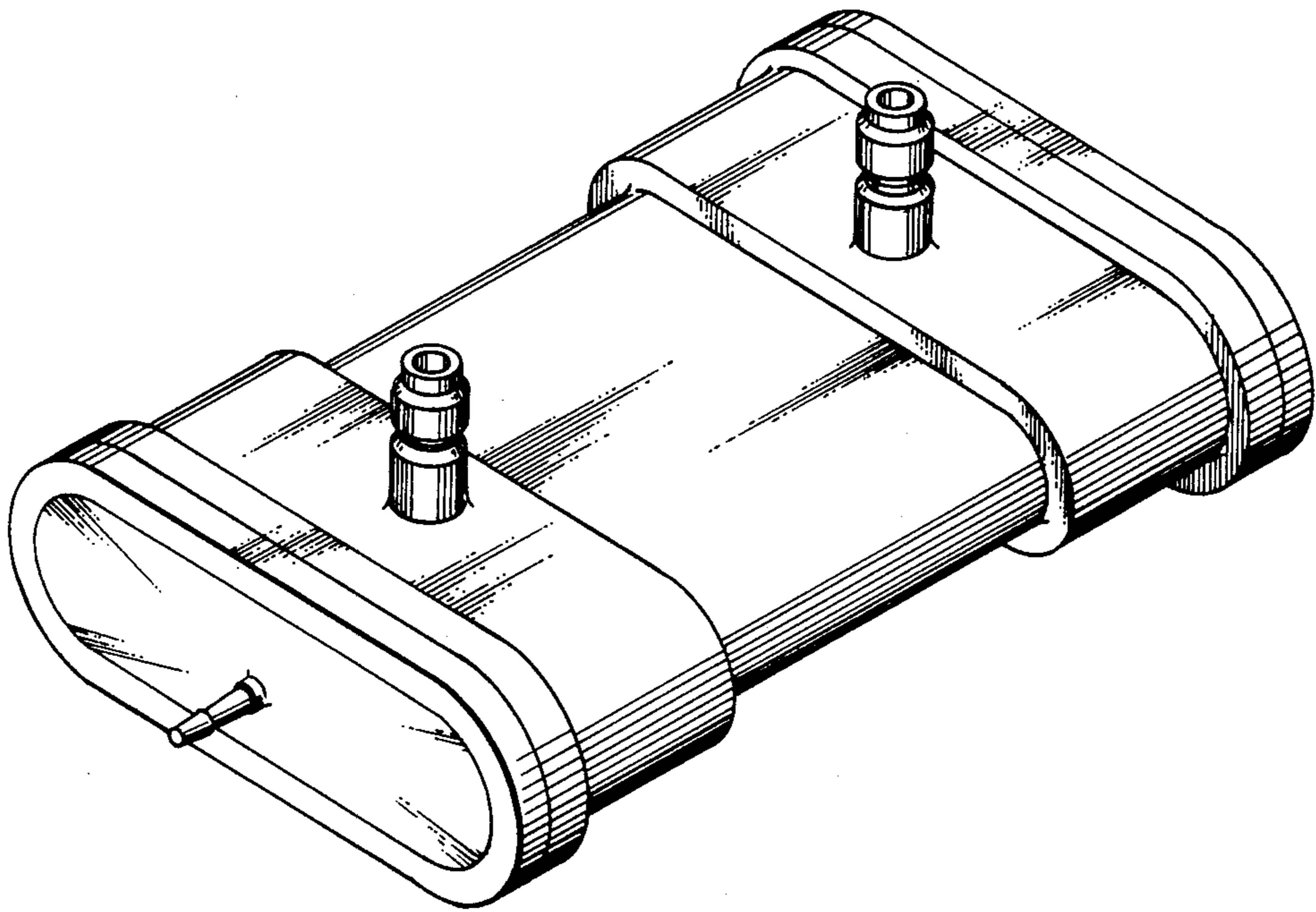
The ornamental design for a filter for hemodialysis and blood oxygenation, substantially as shown and described.

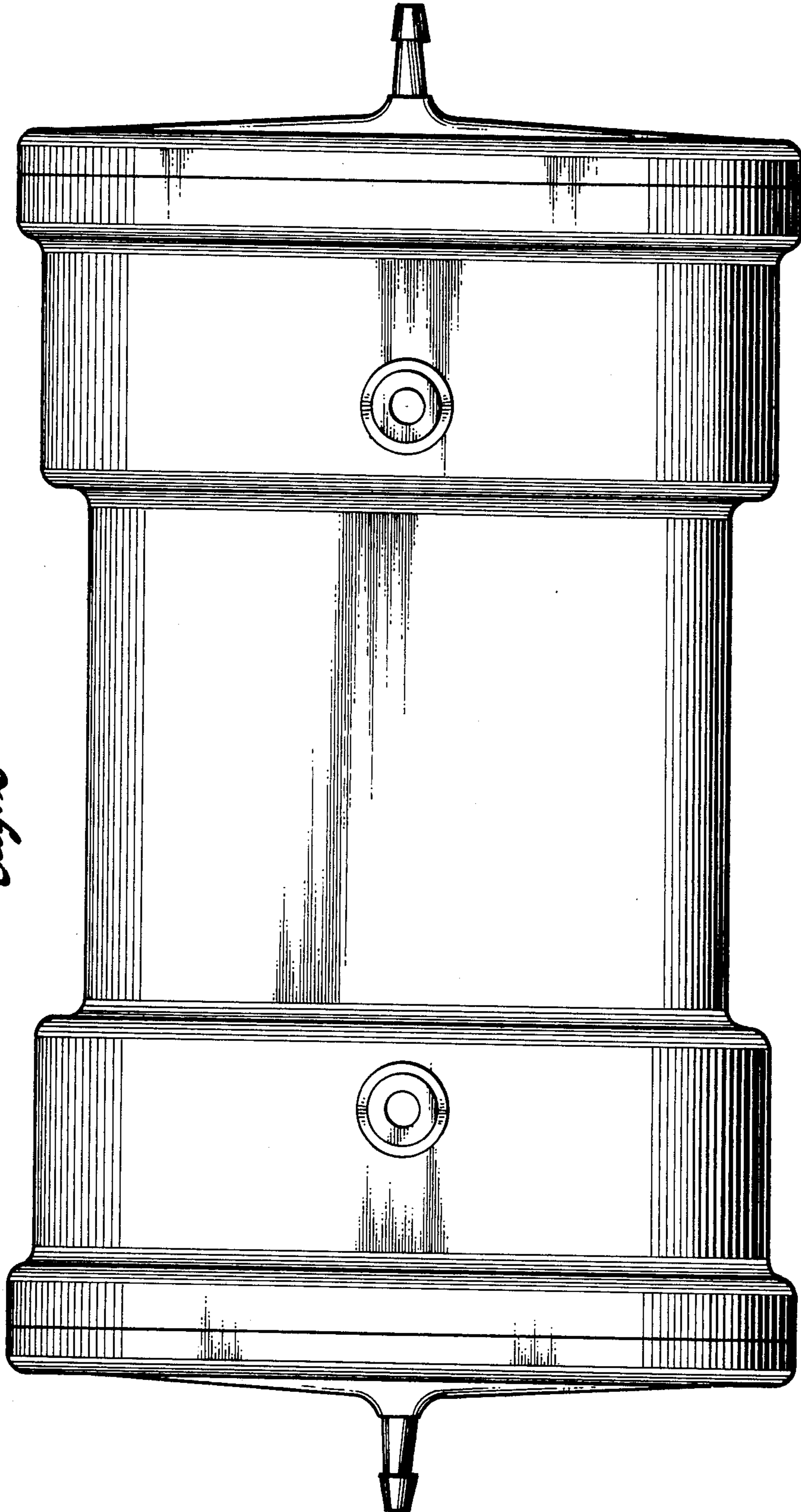
DESCRIPTION

FIG. 1 is an isometric view of a filter for hemodialysis and blood oxygenation showing my new design; FIG. 2 is a top plan view thereof, taken on an enlarged scale; FIG. 3 is a bottom view thereof; FIG. 4 is a side elevation thereof, the opposite side being a mirror image, and FIG. 5 is an end elevation thereof, the opposite end being a mirror image.

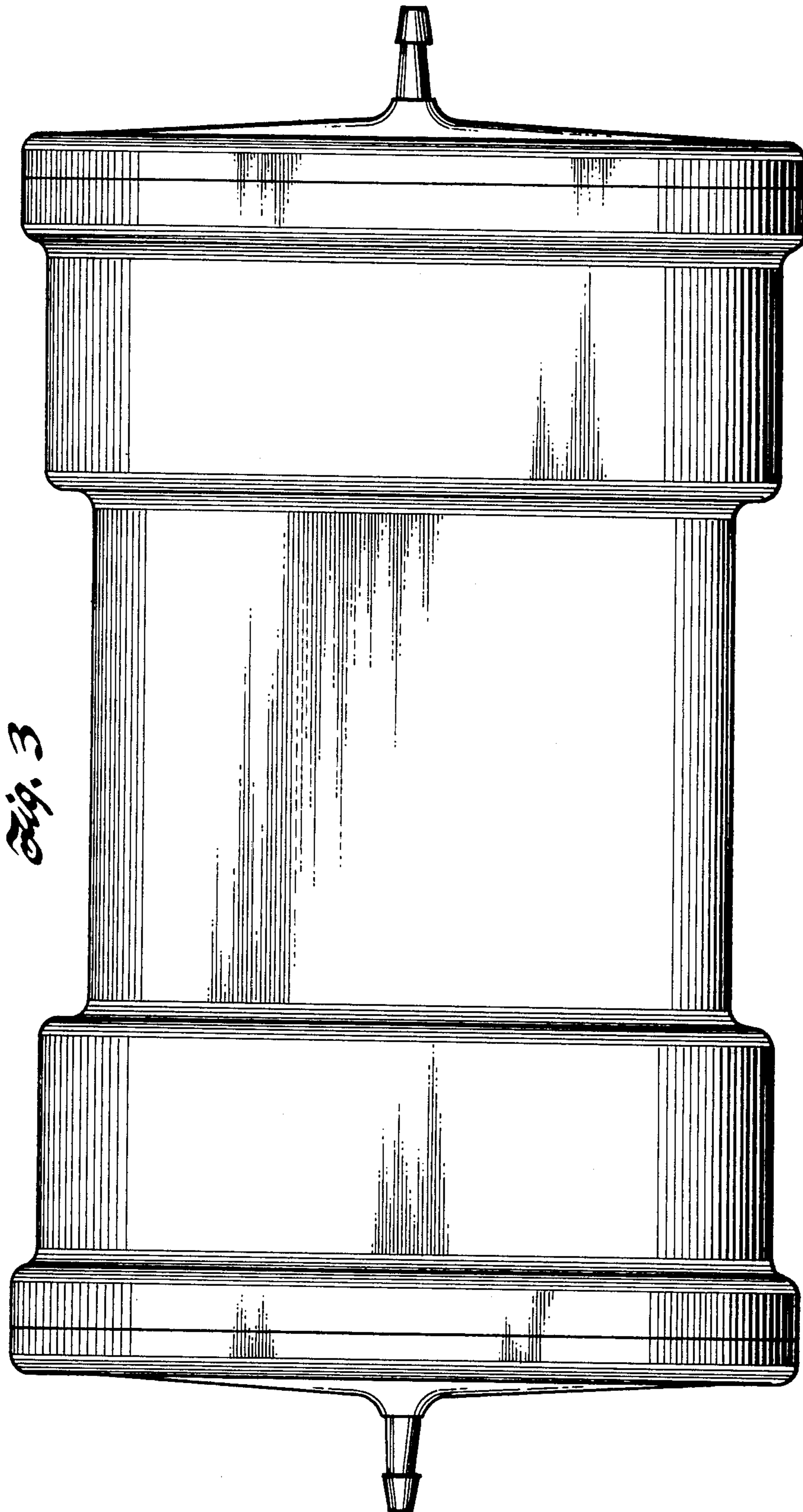


*Fig. 1*

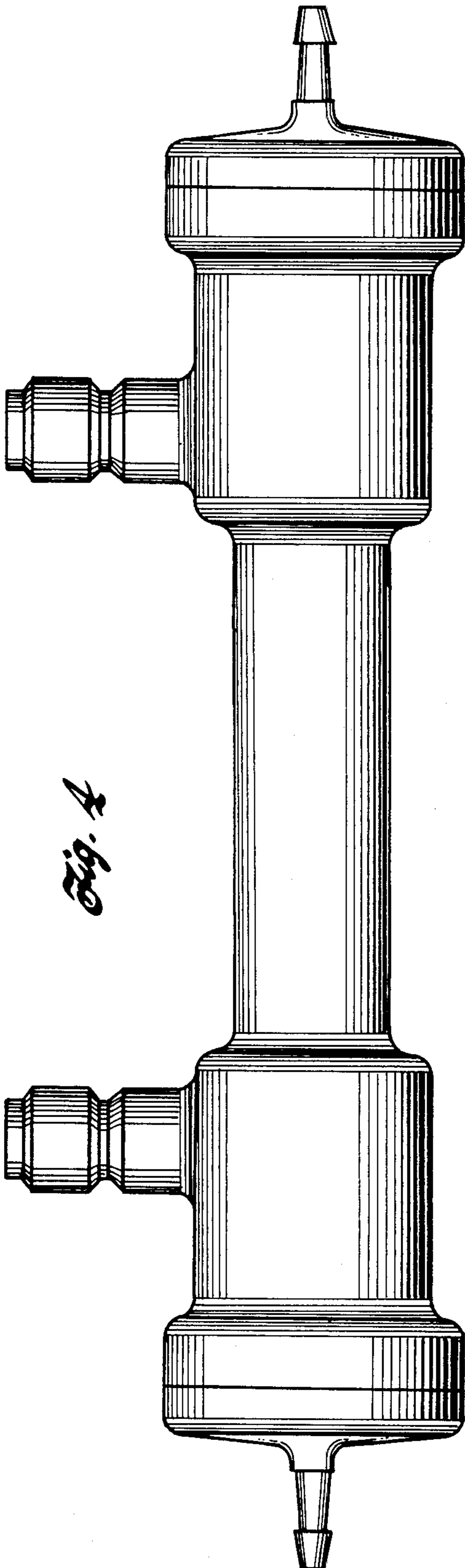




*Fig. 2*



*Fig. 3*



*Fig. 4*

*Fig. 5*

