

[54] COMBINED END-TABLE AND LAMP PEDESTAL

D. 236,649 9/1975 Knoepfle D48/20 D

[76] Inventor: James H. Stacey, 123 Cox St., Apt. No. 5, Auburn, Ala. 36830

[**] Term: 14 Years

[21] Appl. No.: 664,755

[22] Filed: Mar. 8, 1976

[51] Int. Cl. D26-05

[52] U.S. Cl. D48/20 D

[58] Field of Search D48/20 D, 20 A, 20 R; D6/4, 177, 179, 176

OTHER PUBLICATIONS

Home Furnishings, Sept., 1950, combined table and lamp by Rembrandt, Photostat in Box A-24. Display World, April, 1969, p. 51 display cube bottom center.

Primary Examiner—Bruce W. Dunkins
Attorney, Agent, or Firm—Harold C. Hogencamp

[57] CLAIM

The ornamental design for a combined end-table and lamp pedestal, substantially as shown and described.

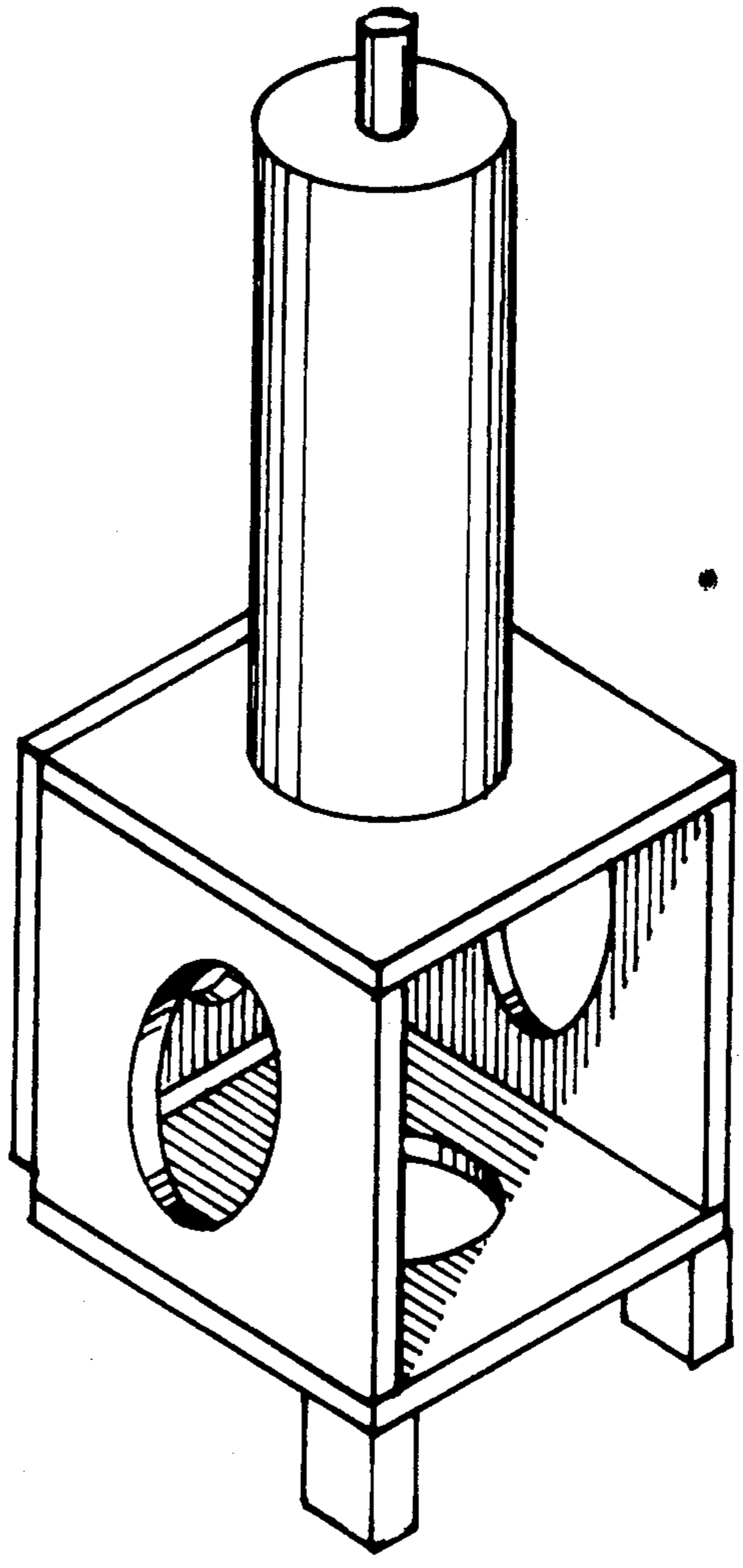
DESCRIPTION

FIG. 1 is a left side, top and front isometric view of a combined end-table and lamp pedestal showing my new design.

FIG. 2 is a right side, top and rear isometric view thereof.

[56] References Cited
U.S. PATENT DOCUMENTS

1,540,012	6/1925	January	D48/20 D X
D. 173,935	2/1955	Cole	D48/20 A
D. 178,612	8/1956	Morris	D48/20 D



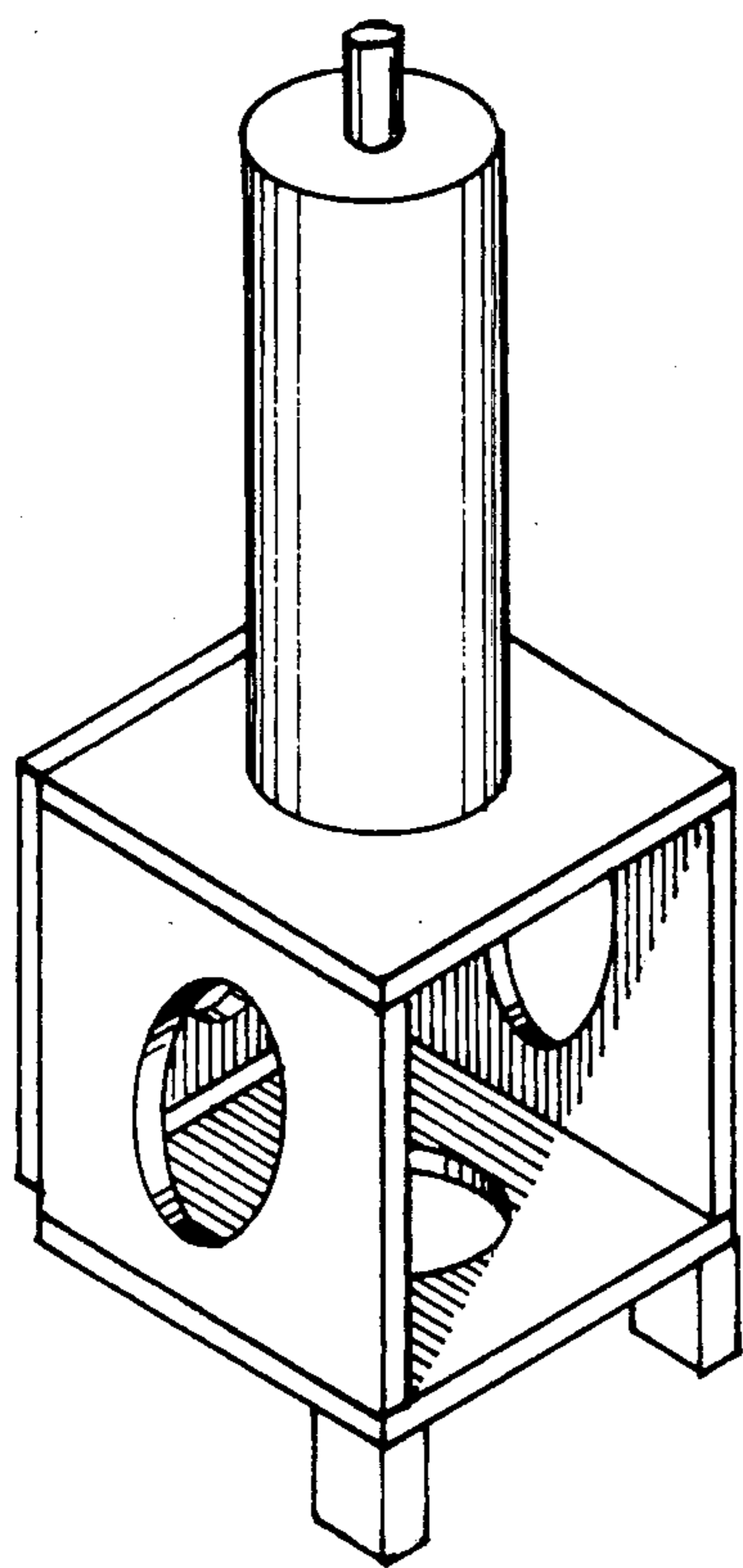


FIG. 1

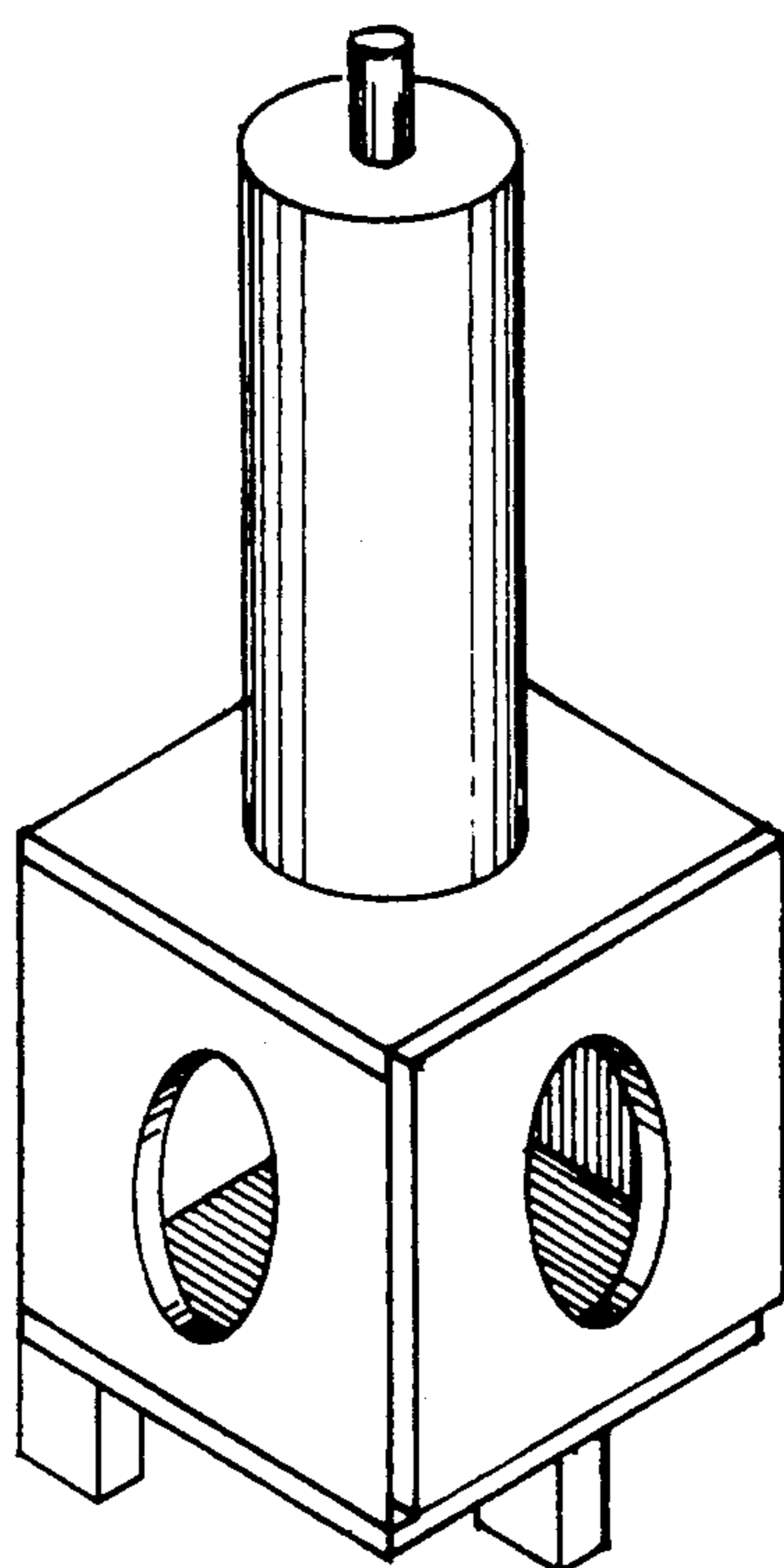


FIG. 2