

[54] GAME TARGET

[76] Inventor: Edmund F. Norden, 5157 Henry, Muskegon, Mich. 49441

[**] Term: 14 Years

[21] Appl. No.: 585,617

[22] Filed: June 10, 1975

[51] Int. Cl. D21-01

[52] U.S. Cl. D34/5 NN

[58] Field of Search D34/5 NN; 273/177 R, 273/178 R, 179 R, 180

[56] References Cited

U.S. PATENT DOCUMENTS

- 1,656,739 1/1928 Kurtz D34/5 NN
- 1,874,873 8/1932 Boye D34/5 NN

D. 161,248 12/1950 Darr D34/5 NN

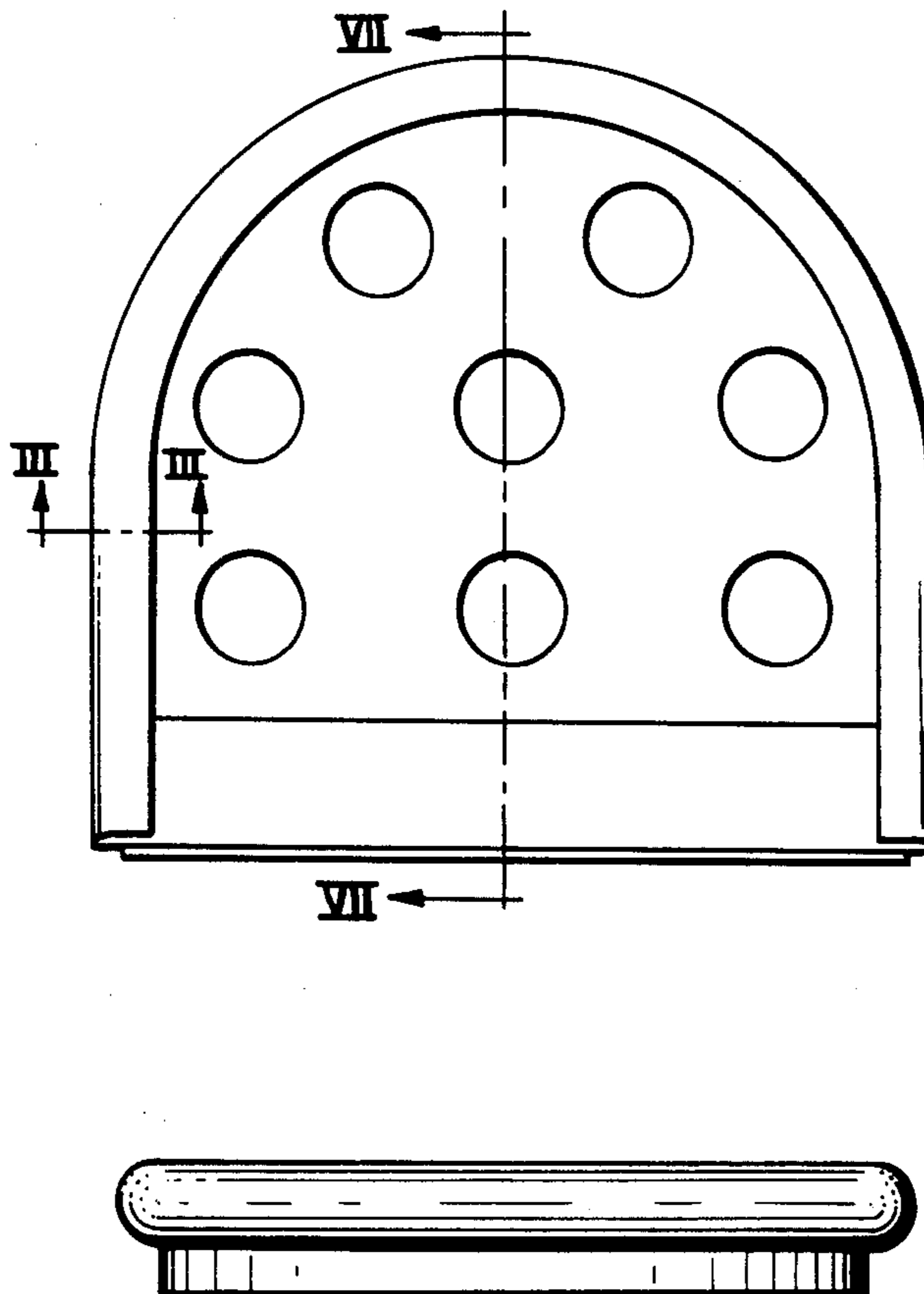
Primary Examiner—Melvin B. Feifer
Attorney, Agent, or Firm—Peter P. Price

[57] CLAIM

The ornamental design for a game target, substantially as shown and described.

DESCRIPTION

FIG. 1 is a perspective view of a game target showing my new design;
 FIG. 2 is a top plan view thereof;
 FIG. 3 is a fragmentary sectional view taken along line III—III of FIG. 2;
 FIG. 4 is a bottom plan view;
 FIG. 5 is a rear elevation;
 FIG. 6 is a side elevation; and
 FIG. 7 is a sectional view taken along line VII—VII of FIG. 2.



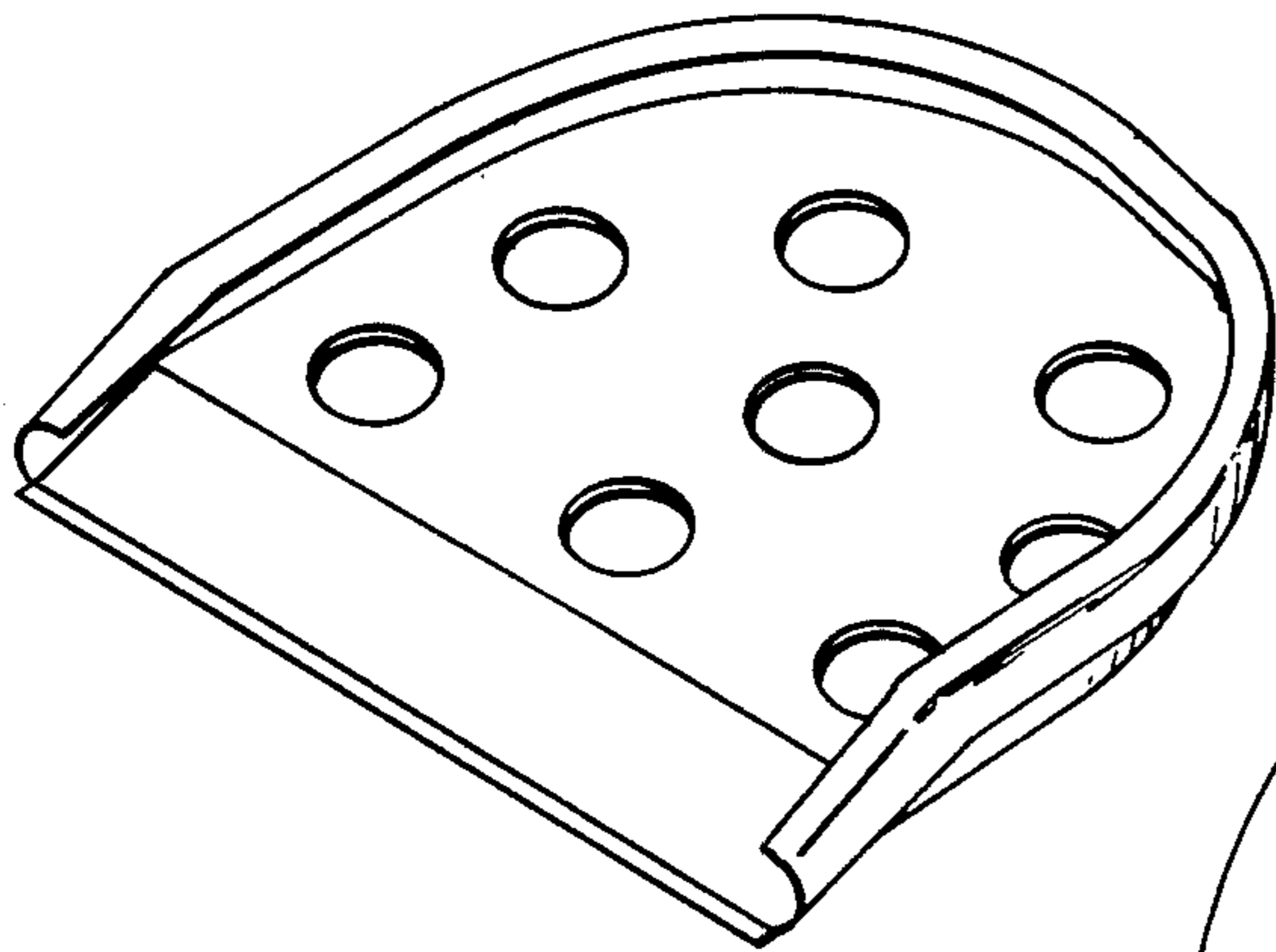


FIG. 1

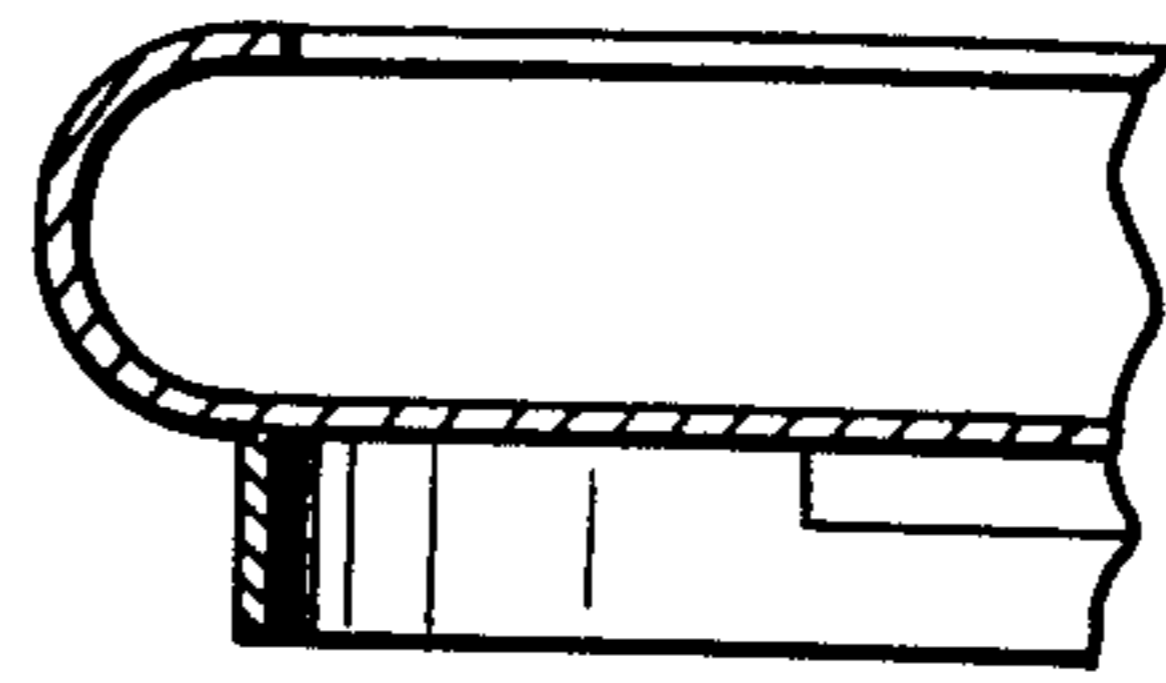


FIG. 3

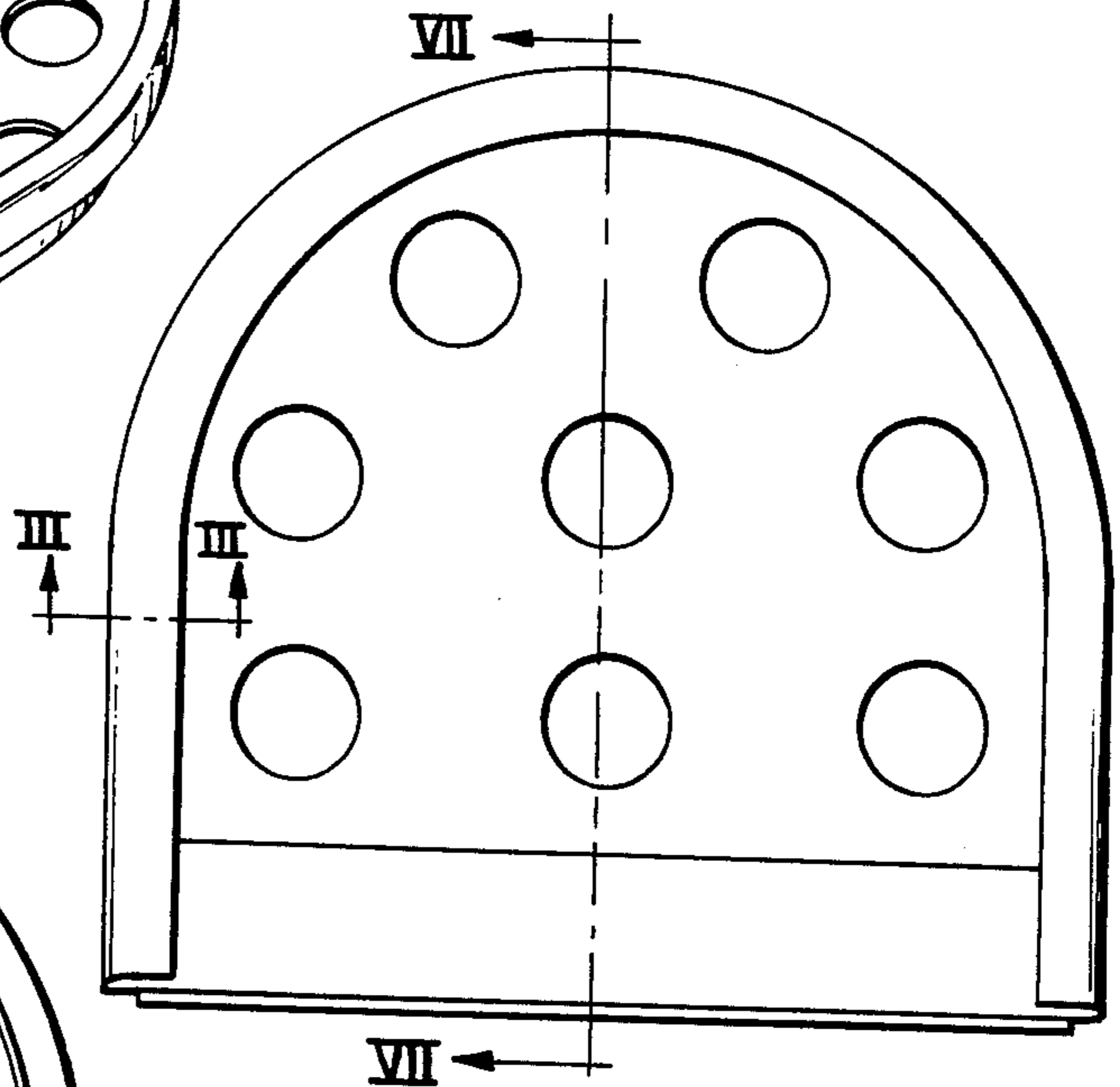


FIG. 2

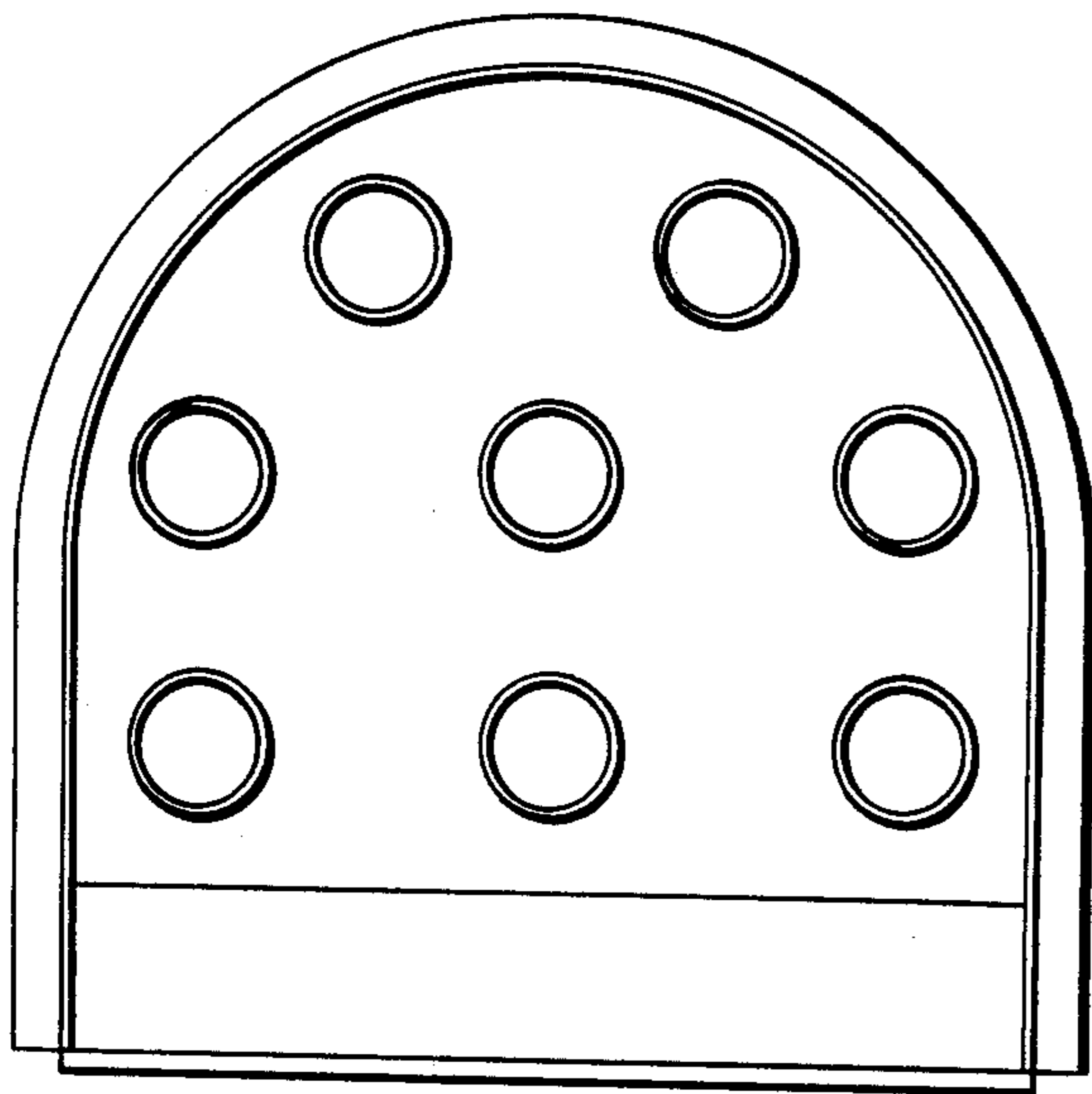


FIG. 4

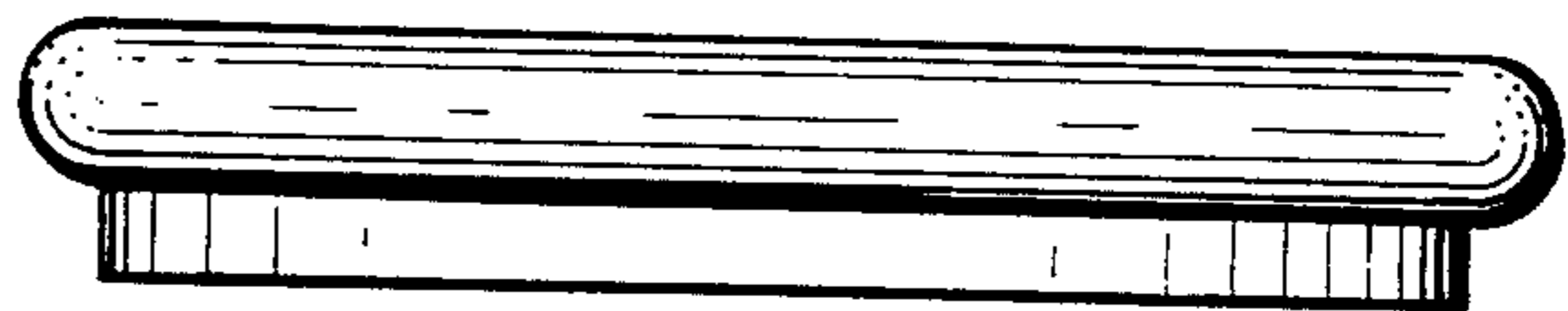


FIG. 5

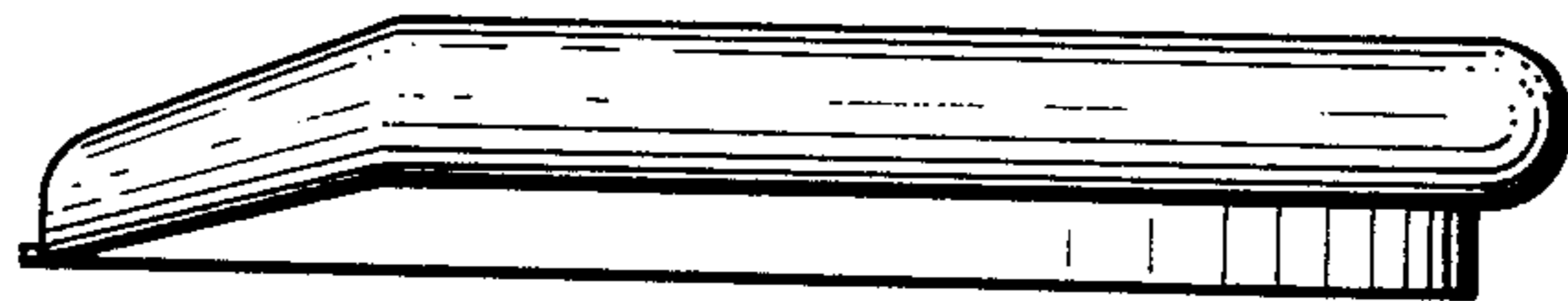


FIG. 6

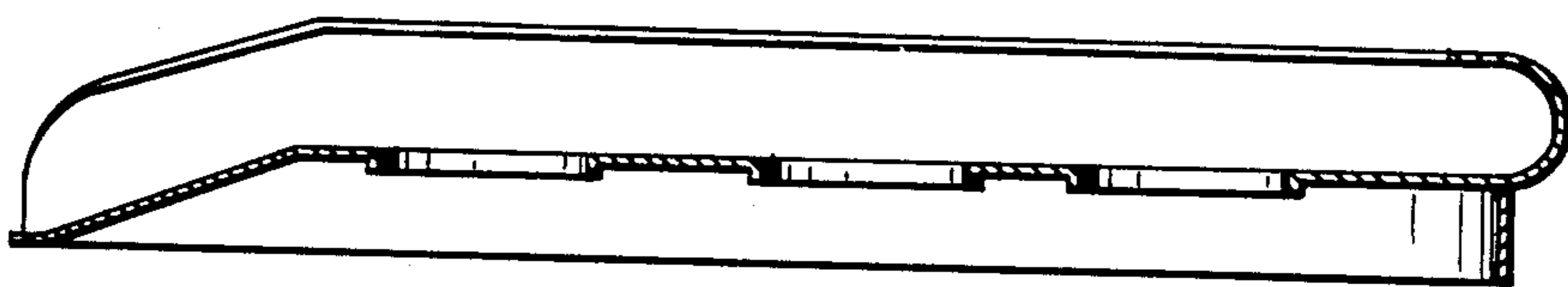


FIG. 7