

United States Patent [19] Copeland

[11] Des. 245,79
[45] ** Sept. 13, 1976

[54] FRAME MOLDING

[76] Inventor: **Greg Copeland**, 114 Beach Terrace,
Wayne, N.J. 07470

[**] Term: **14 Years**

[21] Appl. No.: **691,698**

[22] Filed: **June 1, 1976**

[51] Int. Cl. **D25-01**

[52] U.S. Cl. **D25/74**

[58] Field of Search **D6/208.1; 49/504, 413,
49/DIG. 2; 52/716, 720-739; D65/2, 47, 48,
52, 60, 61, 73, 74, 75, 76, 77, 78, 79**

[56]

References Cited

U.S. PATENT DOCUMENTS

2,841,836	7/1958	Watson	D25/74
3,751,868	8/1973	Mascioletti	D25/74
D. 191,162	8/1961	Miller	D25/74
D. 210,935	5/1968	Cook	D25/74

Primary Examiner—A. Hugo Word
Attorney, Agent, or Firm—Alex Friedman

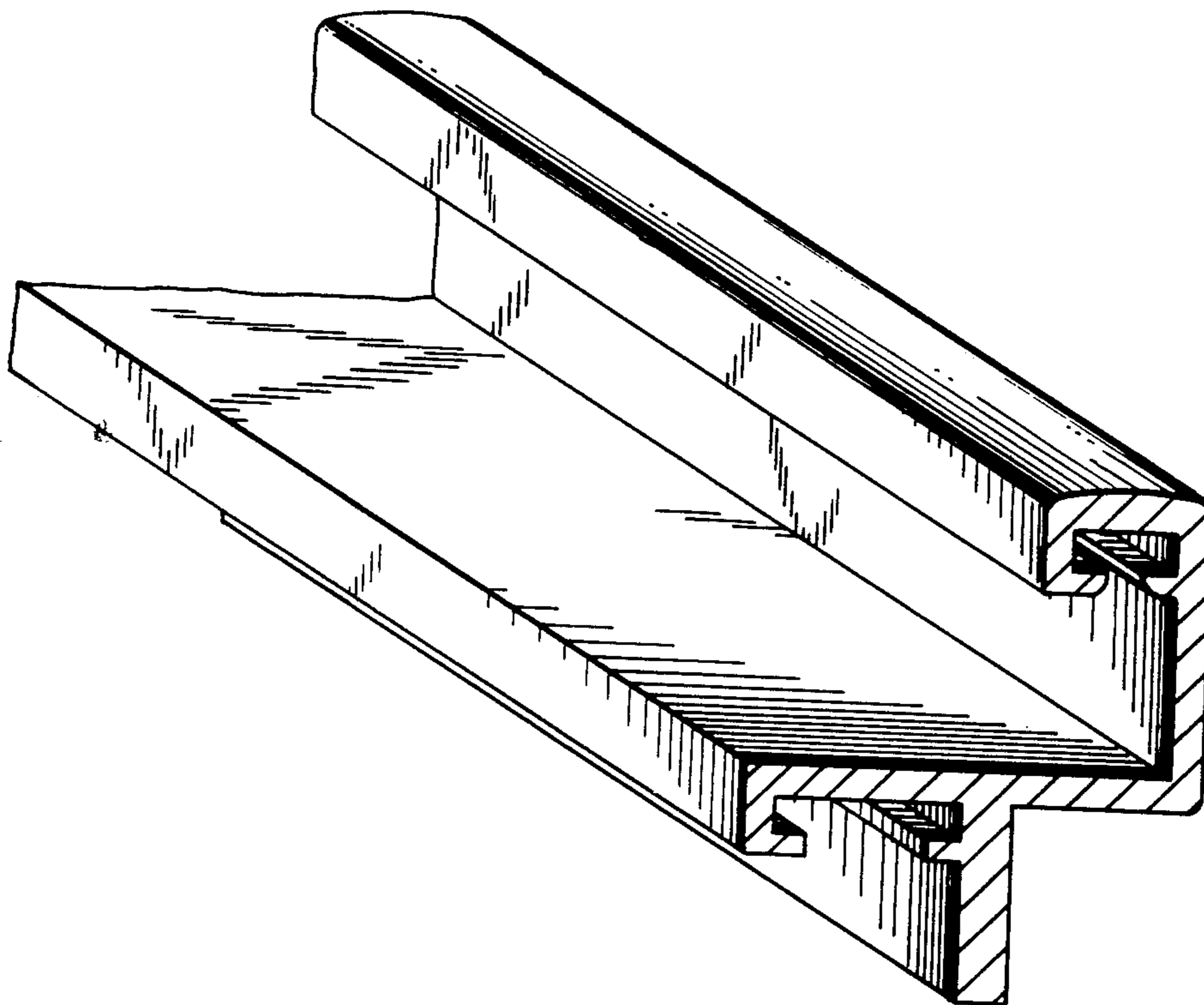
[57]

CLAIM

The ornamental design for a frame molding, as shown and described.

DESCRIPTION

FIG. 1 is a perspective view of a frame molding showing my new design; and FIG. 2 is a right side elevational view thereof. The frame molding is shown fragmentarily in FIGS. 1 and 2 to indicate an article of indeterminate length.



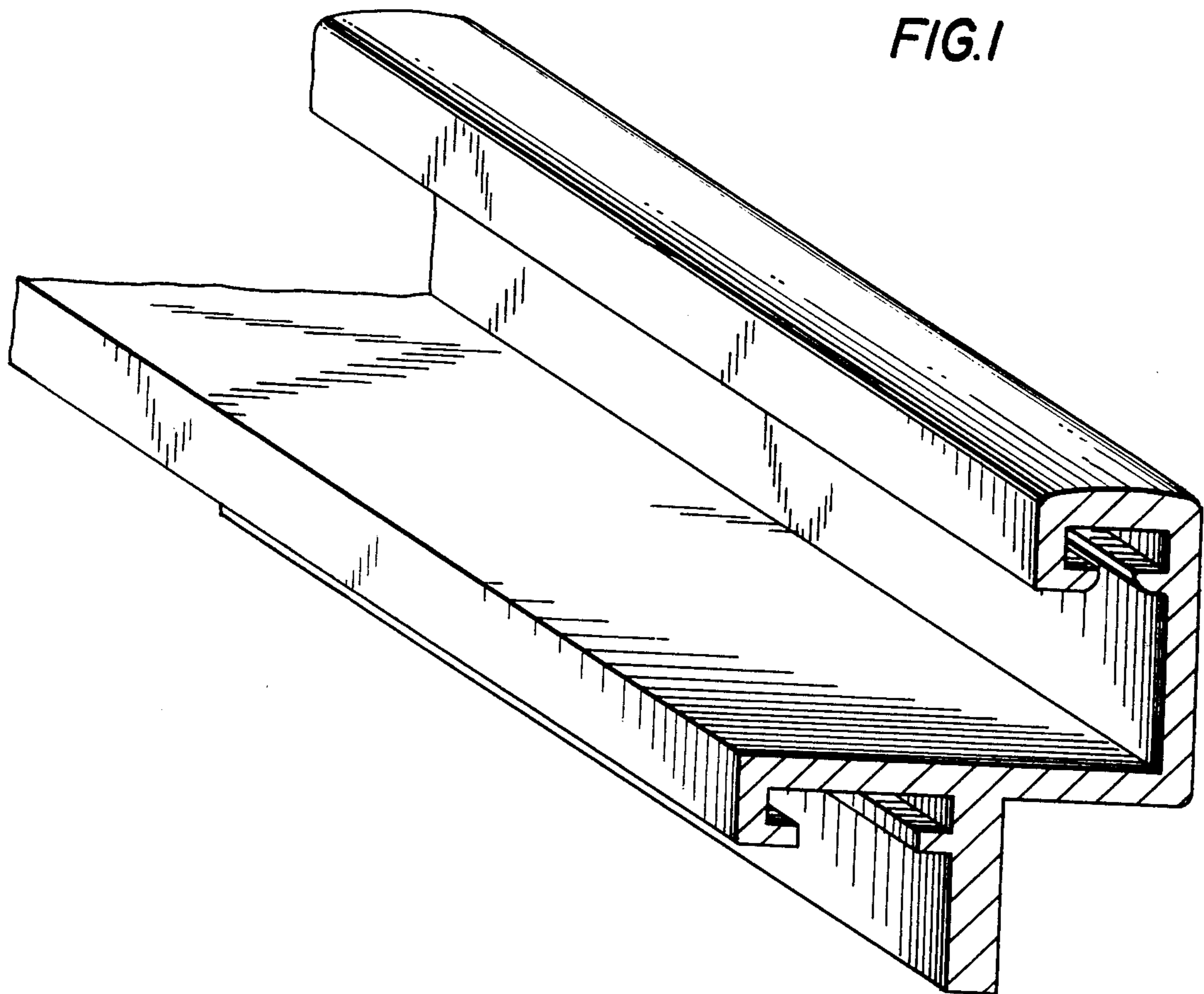


FIG. 2

