

- [54] **FISHING REEL**
- [75] **Inventor:** Kiyoshi Okada, Koganei, Japan
- [73] **Assignee:** Daiwa Seiko, Inc., Higashi-kurume, Japan
- [**] **Term:** 14 Years
- [21] **Appl. No.:** 722,465
- [22] **Filed:** Sept. 13, 1976
- [51] **Int. Cl.** D22-05
- [52] **U.S. Cl.** D22/25
- [58] **Field of Search** D22/25, 26, 23;
43/18 R, 20, 22, 23; 242/84.1 R, 84.1 J, 84.2 R,
84.2 A, 84.2 B, 84.2 C, 84.2 E, 84.2 F, 84.2 G,
84.2 H, 84.2 J, 84.21 R, 84.21 A

- [56] **References Cited**
U.S. PATENT DOCUMENTS
3,796,391 3/1974 McMickle 242/84.21 A
D. 223,355 4/1972 Kuroki D22/25

D. 231,224 4/1974 Koenecke et al. D22/25

OTHER PUBLICATIONS

Gander Mountain, Summer 1976 Catalog 17A, Rec'd May 11, 1976, p. 35, Reel 80 0509, bottom right side of page.

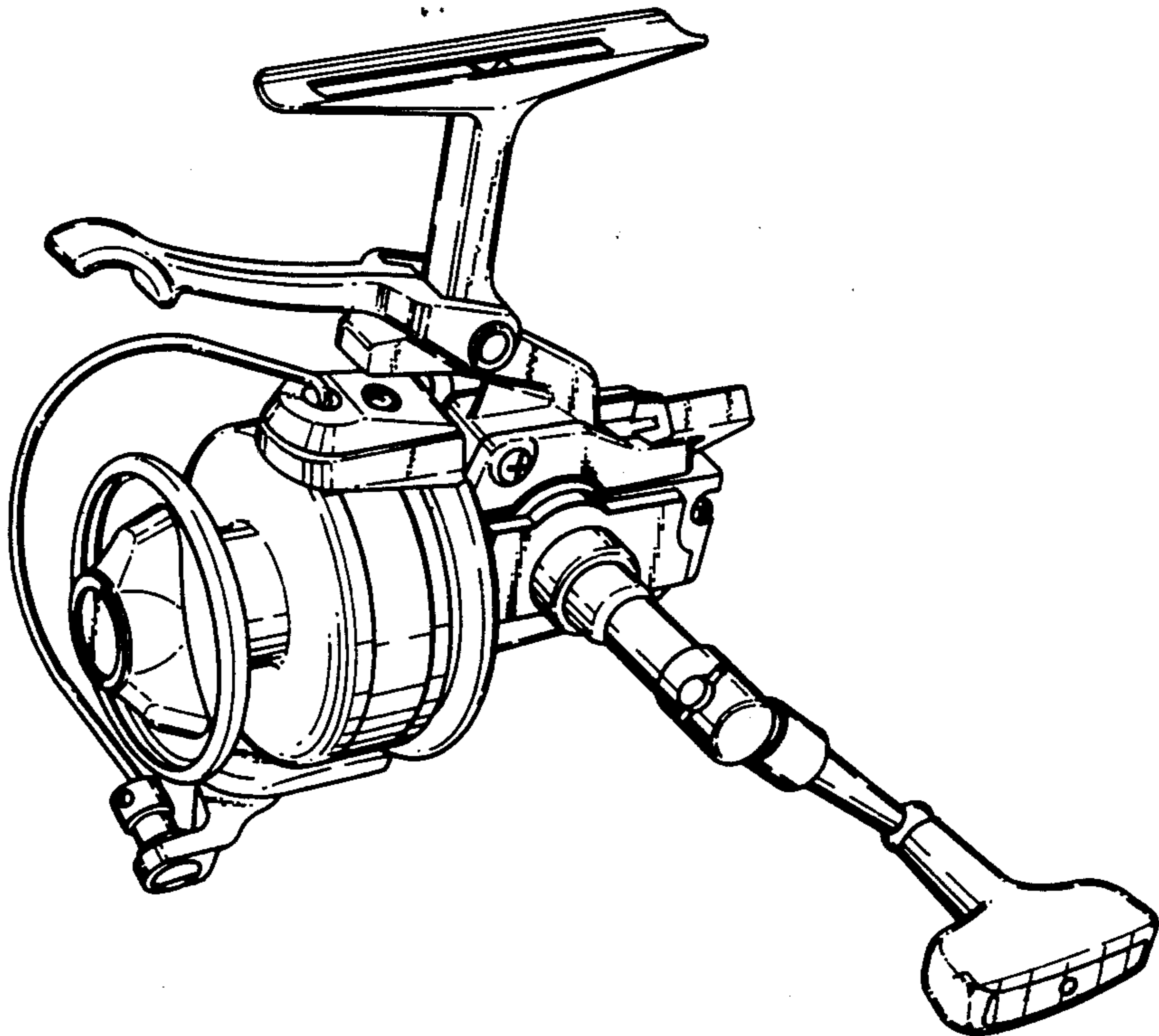
Primary Examiner—Wallace R. Burke
Assistant Examiner—James M. Gandy
Attorney, Agent, or Firm—Richard C. Sughrue

[57] **CLAIM**

The ornamental design for a fishing reel.

DESCRIPTION

FIG. 1 is a front, elevational view of a fishing reel showing my new design;
FIG. 2 is a rear elevational view thereof;
FIG. 3 is a left side elevational view thereof;
FIG. 4 is a top, front and right side perspective view thereof; and
FIG. 5 is a bottom, rear and left side perspective view thereof.



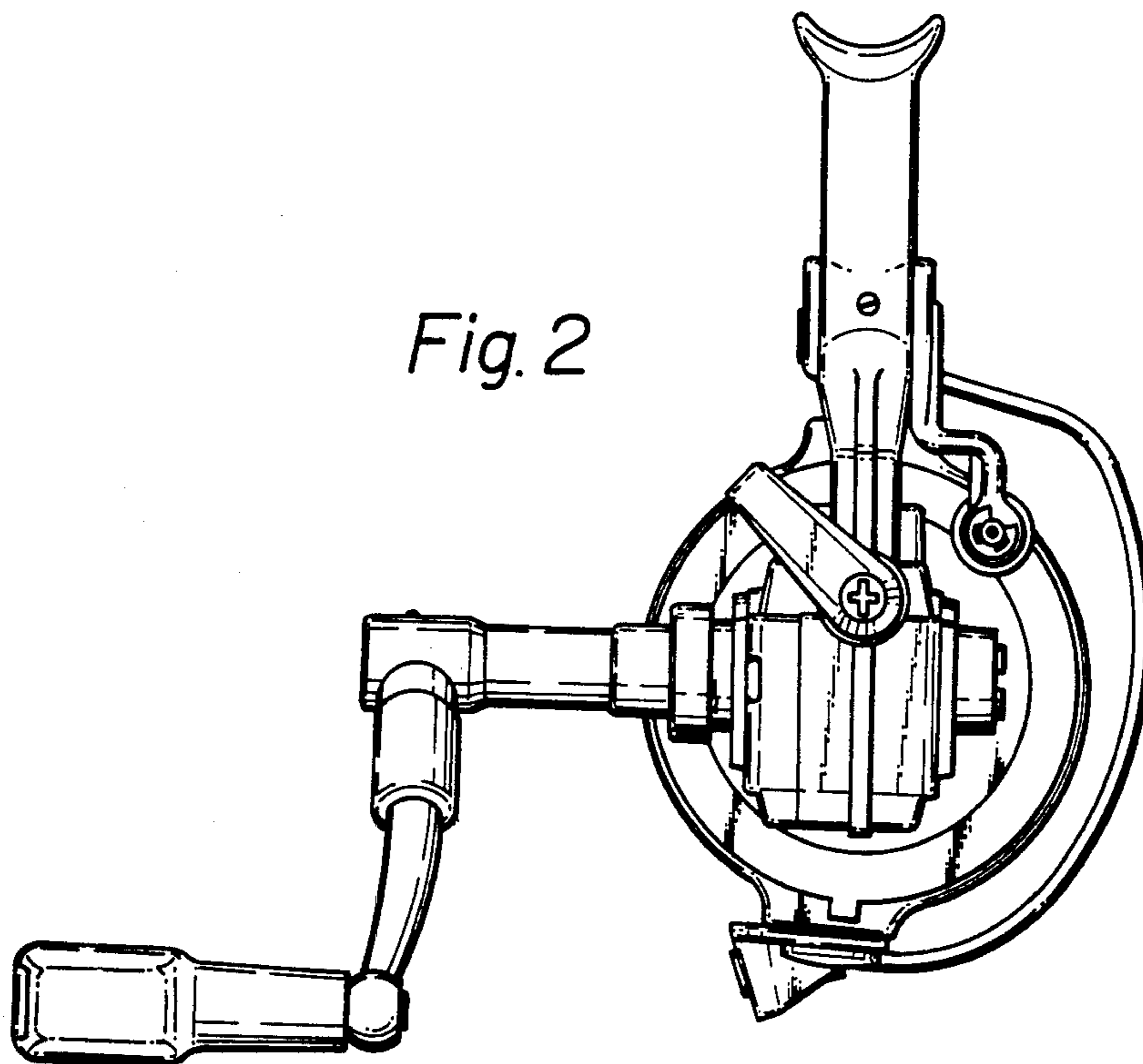
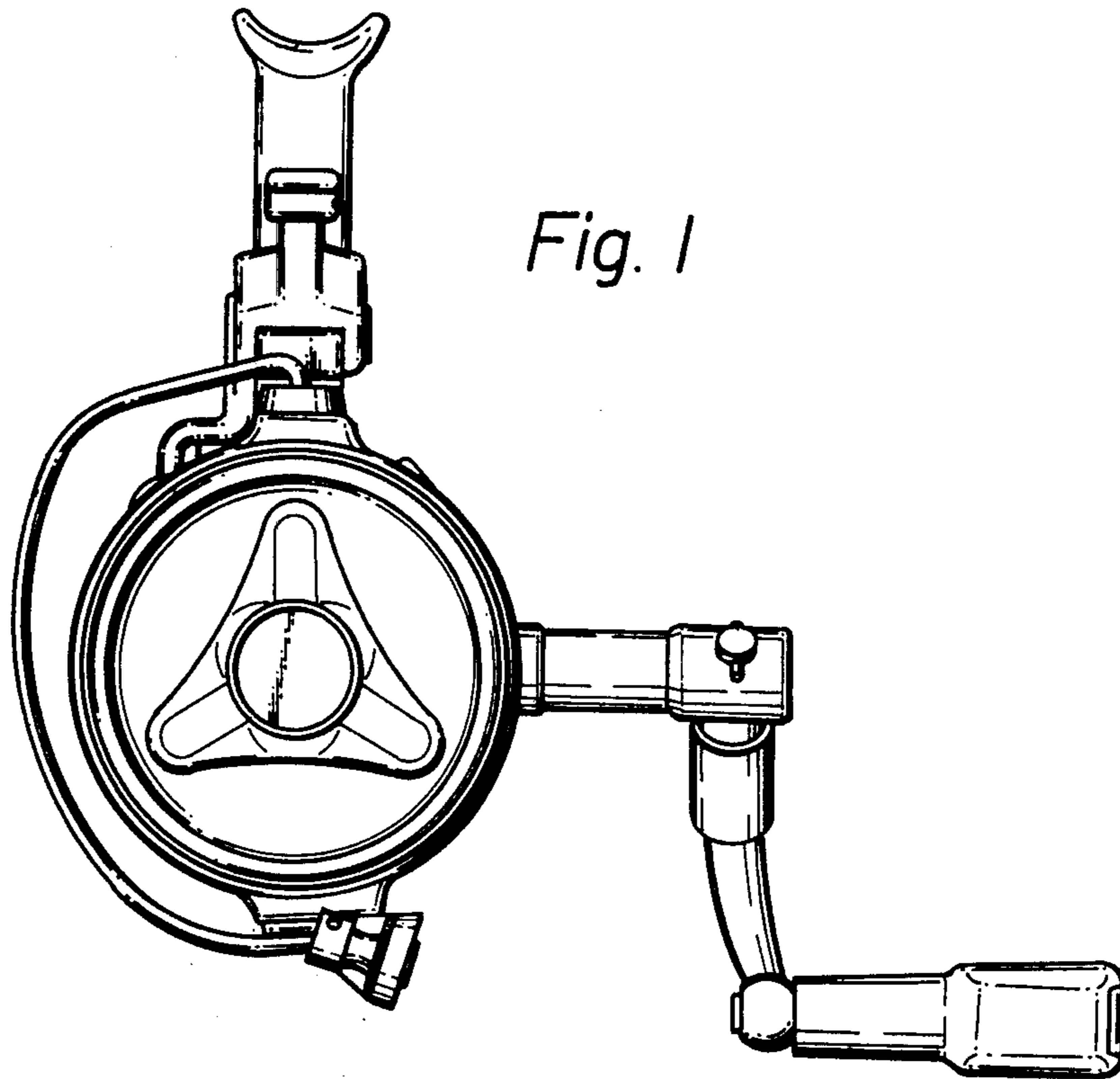


Fig. 3

