

[54] COMBINED ADAPTER AND CUTTER EDGE UNIT FOR EXCAVATING, DIGGING OR BUCKET LOADING SHOVEL

[75] Inventors: Sten Johan Dahlberg, Karlskoga; Jouko Kalevi Korpi, Degerfors, both of Sweden; Ulf Robert Larsson, Brampton, Canada

[73] Assignee: AB Bofors, Bofors, Sweden

[\*\*] Term: 14 Years

[21] Appl. No.: 641,101

[22] Filed: Dec. 15, 1975

[30] Foreign Application Priority Data

June 19, 1975 Sweden ..... 751269

[51] Int. Cl. .... D15-04

[52] U.S. Cl. .... D15/32

[58] Field of Search ..... D15/29, 32; 172/719, 172/713; 37/141 R, 141 T, 142 R, 142 A; 299/79, 91

[56] References Cited

U.S. PATENT DOCUMENTS

3,456,370	7/1969	Gilbertson .....	37/141 R
3,465,833	9/1969	Lutz .....	37/141 R
3,685,177	8/1972	Hahn et al. ....	37/141 R

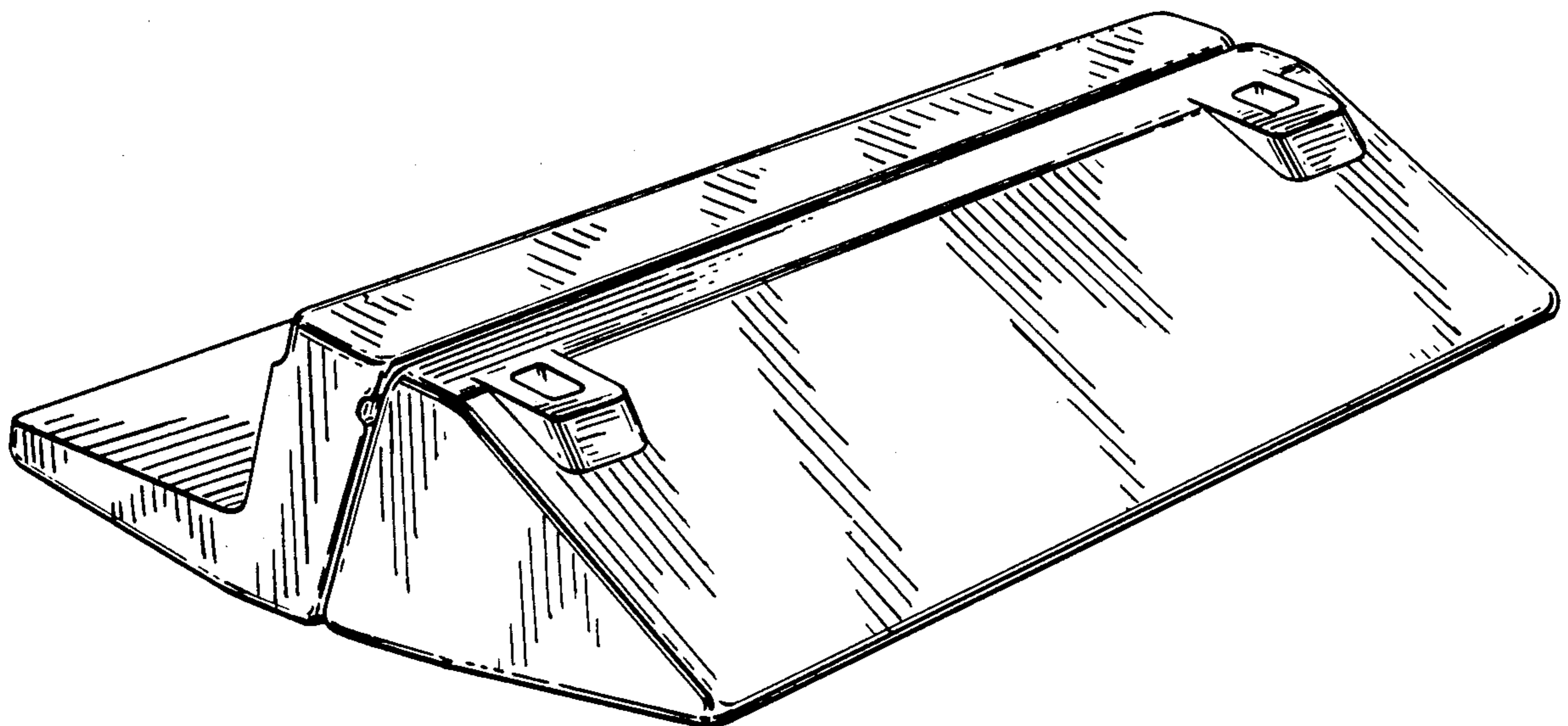
Primary Examiner—Wallace R. Burke  
Assistant Examiner—James M. Gandy  
Attorney, Agent, or Firm—George Vande Sande

[57] CLAIM

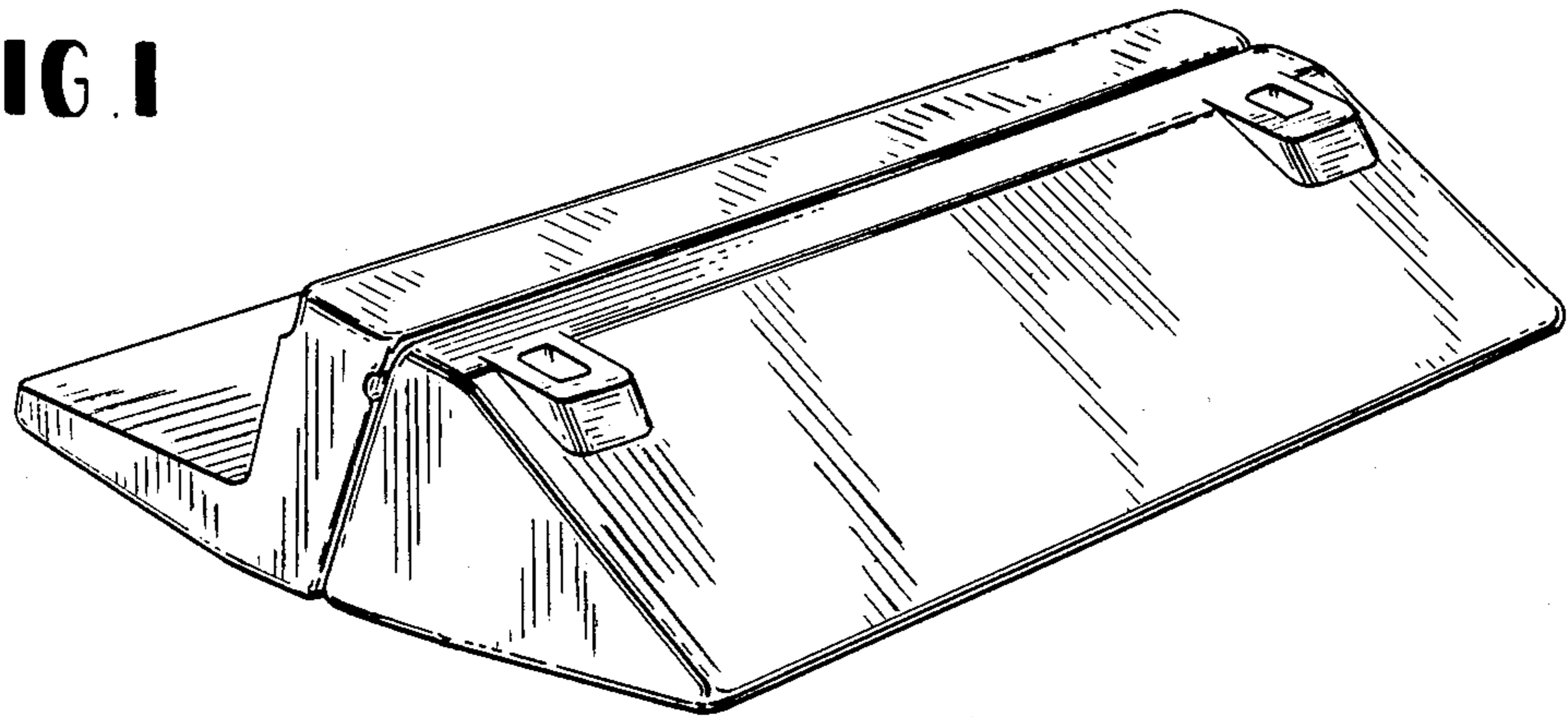
The ornamental design for a combined adapter and cutter edge unit for excavating, digging or bucket loading shovel, as shown.

DESCRIPTION

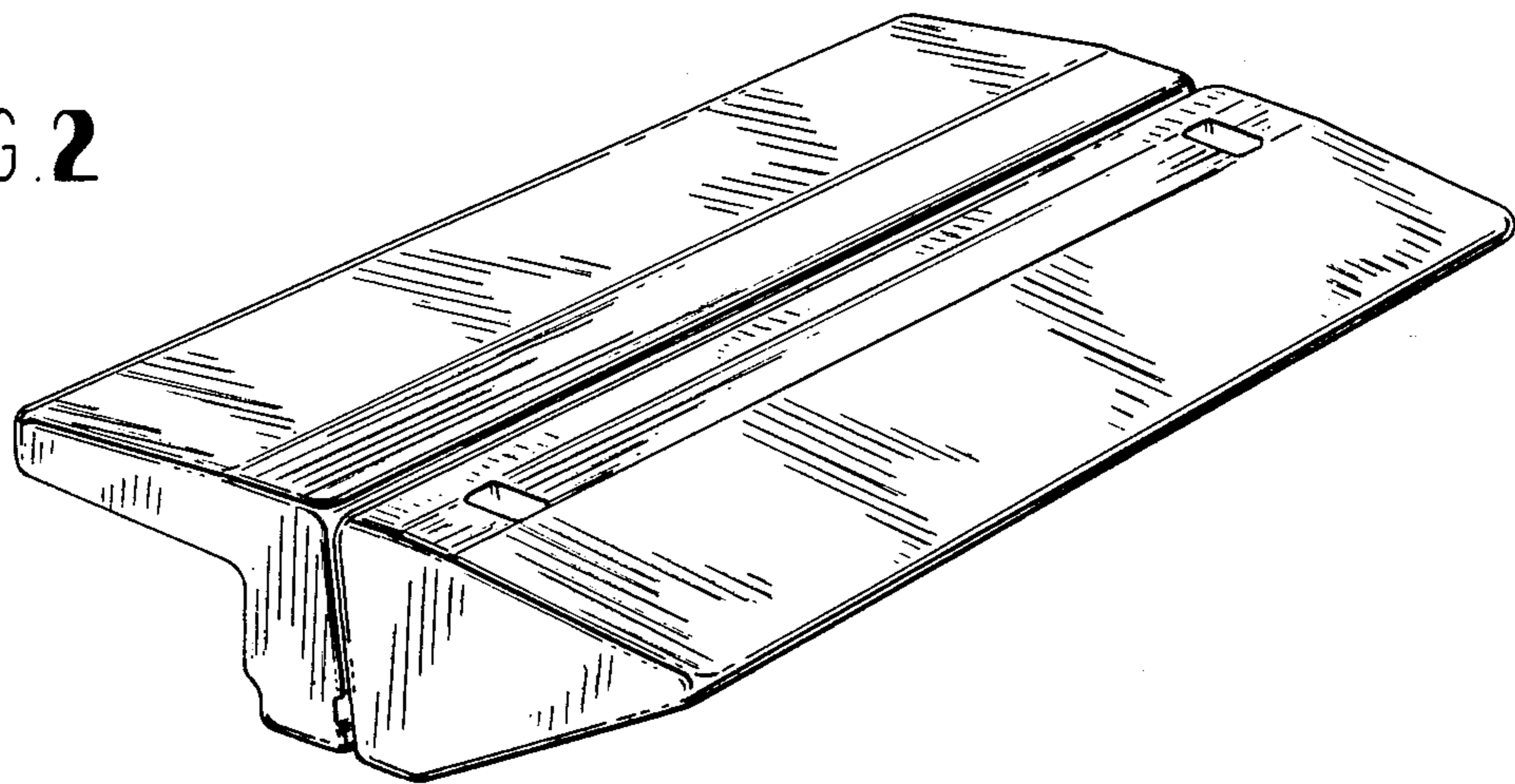
FIG. 1 is a front perspective view showing our design for a combined adapter and cutter edge unit for excavating, digging or bucket loading shovel; FIG. 2 is a bottom perspective view thereof; and FIG. 3 is an exploded, rear perspective view thereof from the end opposite to that of FIG. 1.



**FIG. 1**



**FIG. 2**



**FIG. 3**

