

[54] COMPRESSOR

[75] Inventor: Tetsuo Nobata, Nagoya, Japan

[73] Assignee: Kabushiki Kaisha Unicla, Nagoya, Japan

[**] Term: 14 Years

[21] Appl. No.: 645,299

[22] Filed: Dec. 29, 1975

[51] Int. Cl. D15-02

[52] U.S. Cl. D15/9

[58] Field of Search D65/1 R, 1 A; D15/7-9; 417/529, 533, 539

[56] References Cited

U.S. PATENT DOCUMENTS

3,160,229	12/1964	Terasawa	417/539
3,666,382	5/1972	Rasmussen	417/539
D. 116,241	8/1939	Radtke	D15/9

Primary Examiner—James R. Largen
Attorney, Agent, or Firm—John E. Lind

[57] CLAIM

The ornamental design for a compressor, as shown and described.

DESCRIPTION

FIG. 1 is a front view of a compressor showing my new design, the rear being a mirror image of the front shown;

FIG. 2 is a right-side view thereof;

FIG. 3 is a left-side view thereof; and

FIG. 4 is a top front perspective view thereof.

The view from the rear is a mirror image of the front view of FIG. 1.

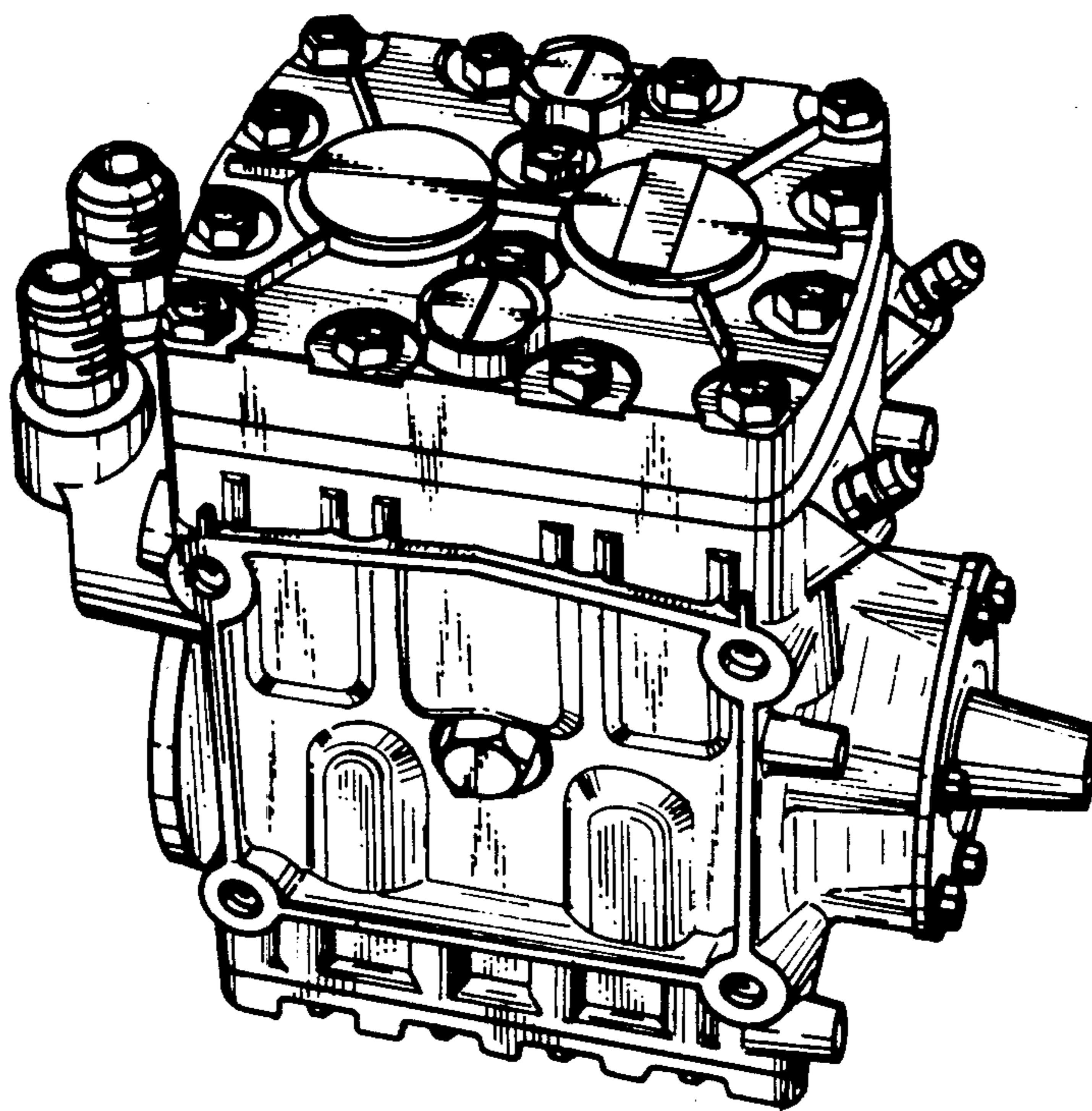


Fig. 1

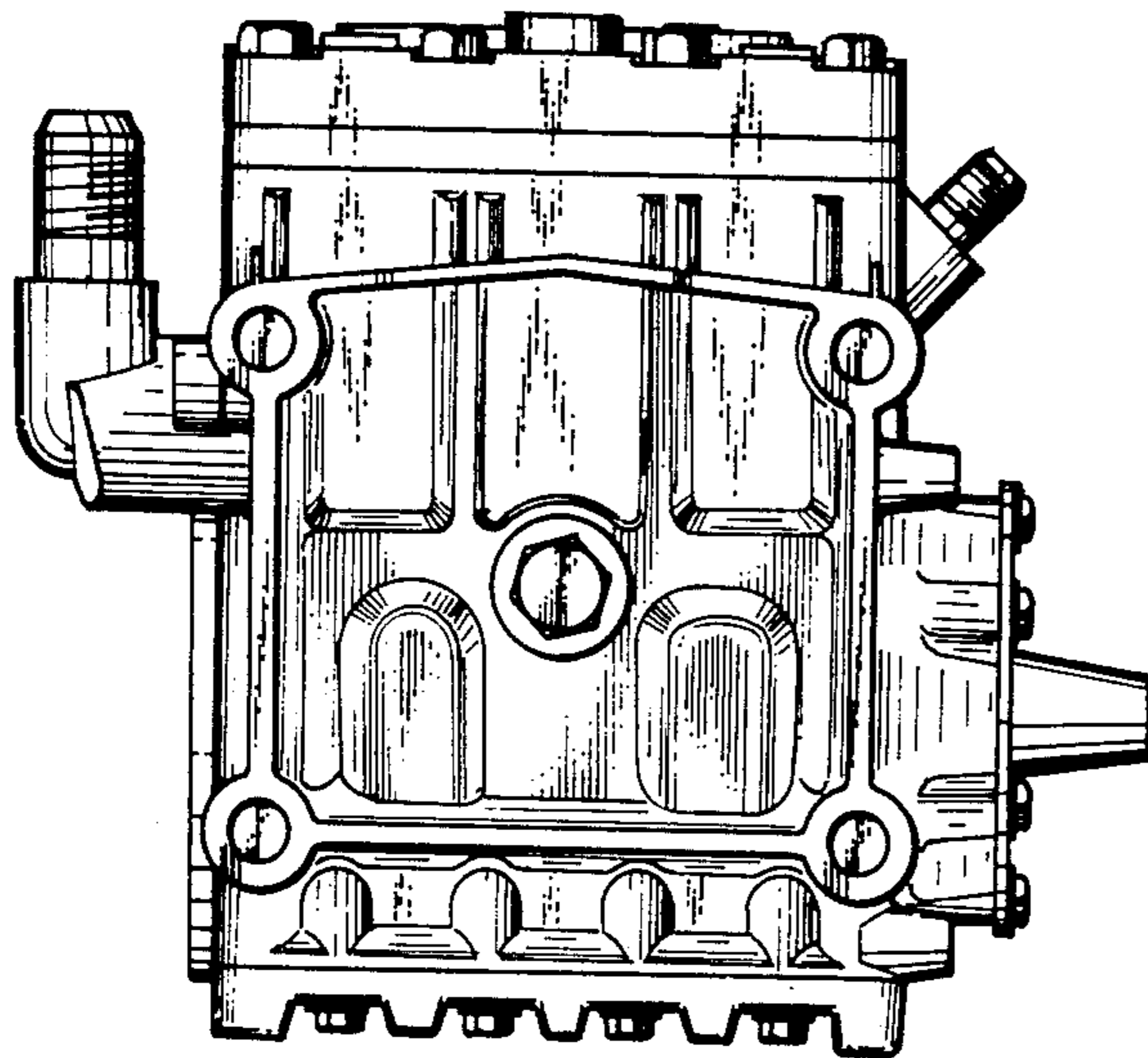


Fig. 2

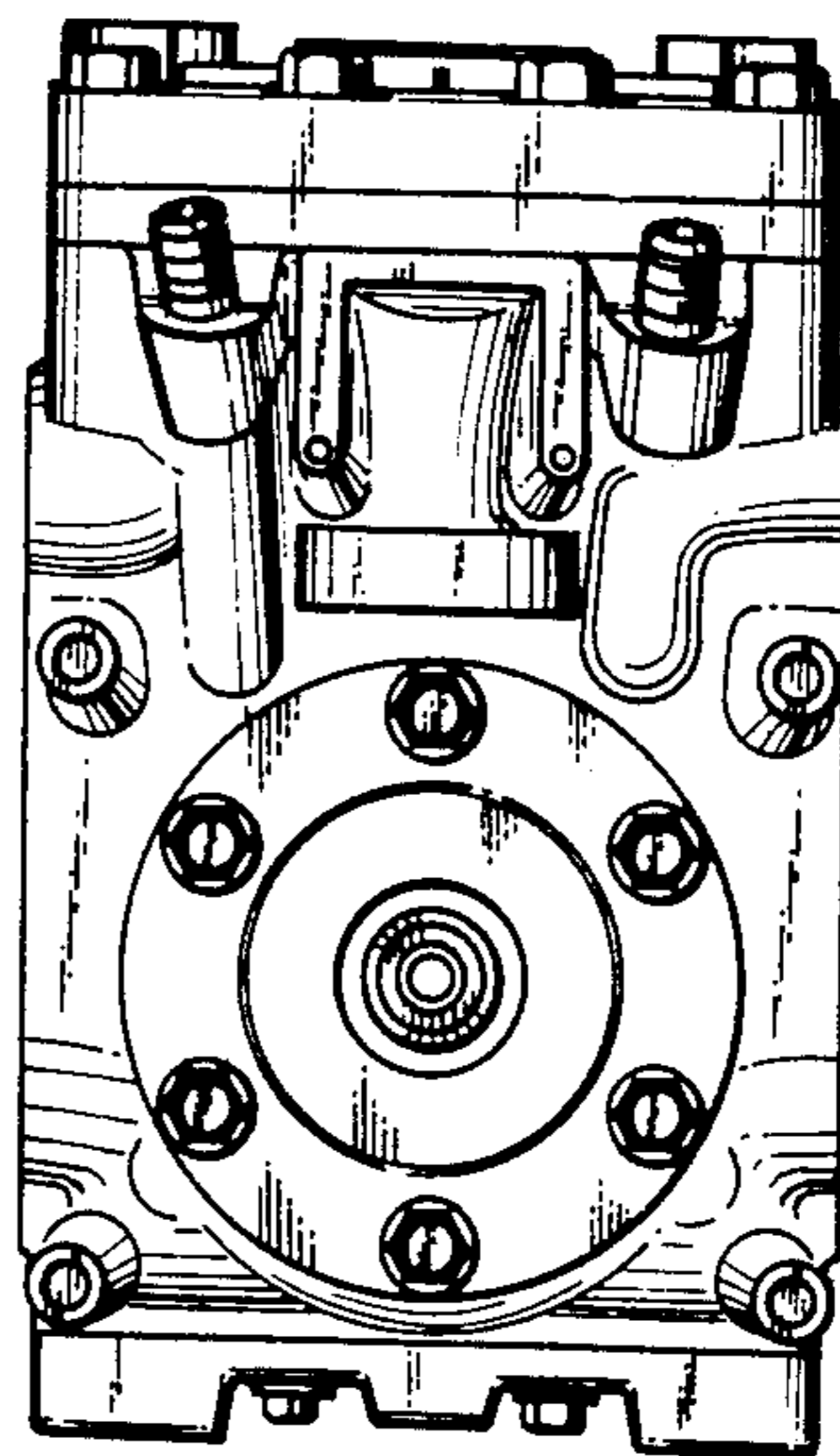


Fig. 3

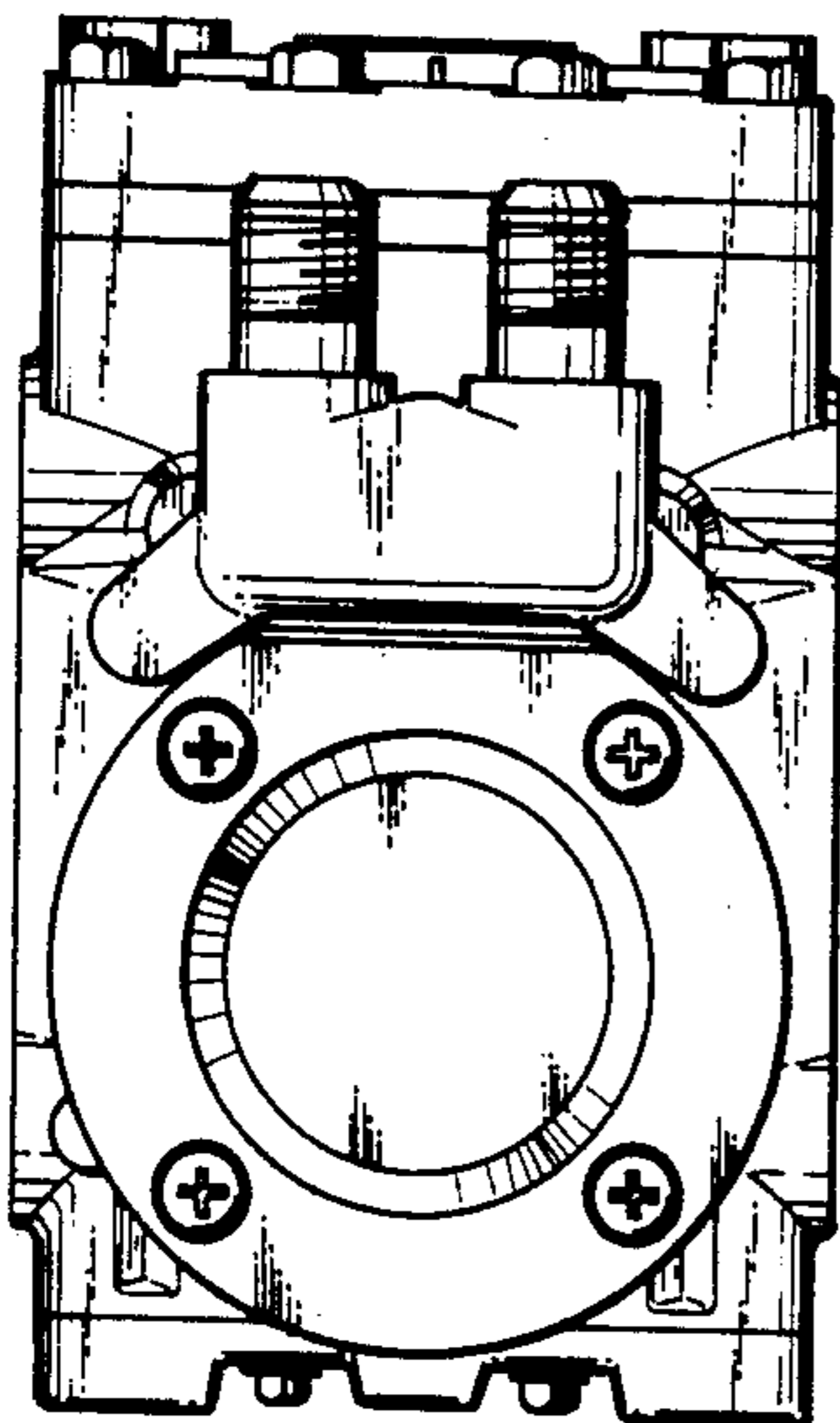


Fig. 4

