

[54] **SECURITY BOX ADAPTED FOR MOUNTING WITHIN VEHICLES**

D. 213,447 3/1969 Small D12/155
 D. 214,978 8/1969 Ritz, Jr. D12/155

[76] **Inventor:** Thomas R. Davis, 600 S. 45th St., Lincoln, Nebr. 68510

[**] **Term:** 14 Years

[21] **Appl. No.:** 715,476

[22] **Filed:** Aug. 18, 1976

[51] **Int. Cl.** D12-16

[52] **U.S. Cl.** D12/155

[58] **Field of Search** D12/155; 296/37; 224/42.1 C, 42.42 R, 42.46, 29 R, 42.11, 42.45, 29 G, 29 H, 29 K; 180/90; 312/245, 246, 7 R; 108/44, 47, 48; 70/58, 237, 258; D87/1 R; 248/203; D31/22

OTHER PUBLICATIONS

J. C. Whitney Catalog 308, © 1972, p. 8, Stereo Tape Player Housing, bottom right side of page.
 J. C. Whitney Catalog No. 308, © 1972, p. 9, Stereo Tape Player Holder, lower left side of page.

Primary Examiner—Wallace R. Burke
Assistant Examiner—James M. Gandy
Attorney, Agent, or Firm—David H. Semmes

[57] **CLAIM**

The ornamental design for a security box adapted for mounting within vehicles, as shown.

DESCRIPTION

FIG. 1 is a perspective view of a security box adapted for mounting within vehicles showing my new design; FIG. 2 is a front elevational view thereof; FIGS. 3 and 6 are side elevational views thereof; FIG. 4 is a rear elevational view thereof; FIG. 5 is a top plan view thereof; FIG. 7 is a bottom plan view thereof.

[56] **References Cited**

U.S. PATENT DOCUMENTS

1,802,345	4/1931	Heina	224/29 R
3,004,655	10/1961	Whitnack	224/42.46 R
3,606,447	9/1971	Ryding	296/37.12
3,994,148	11/1976	Anderson	70/58

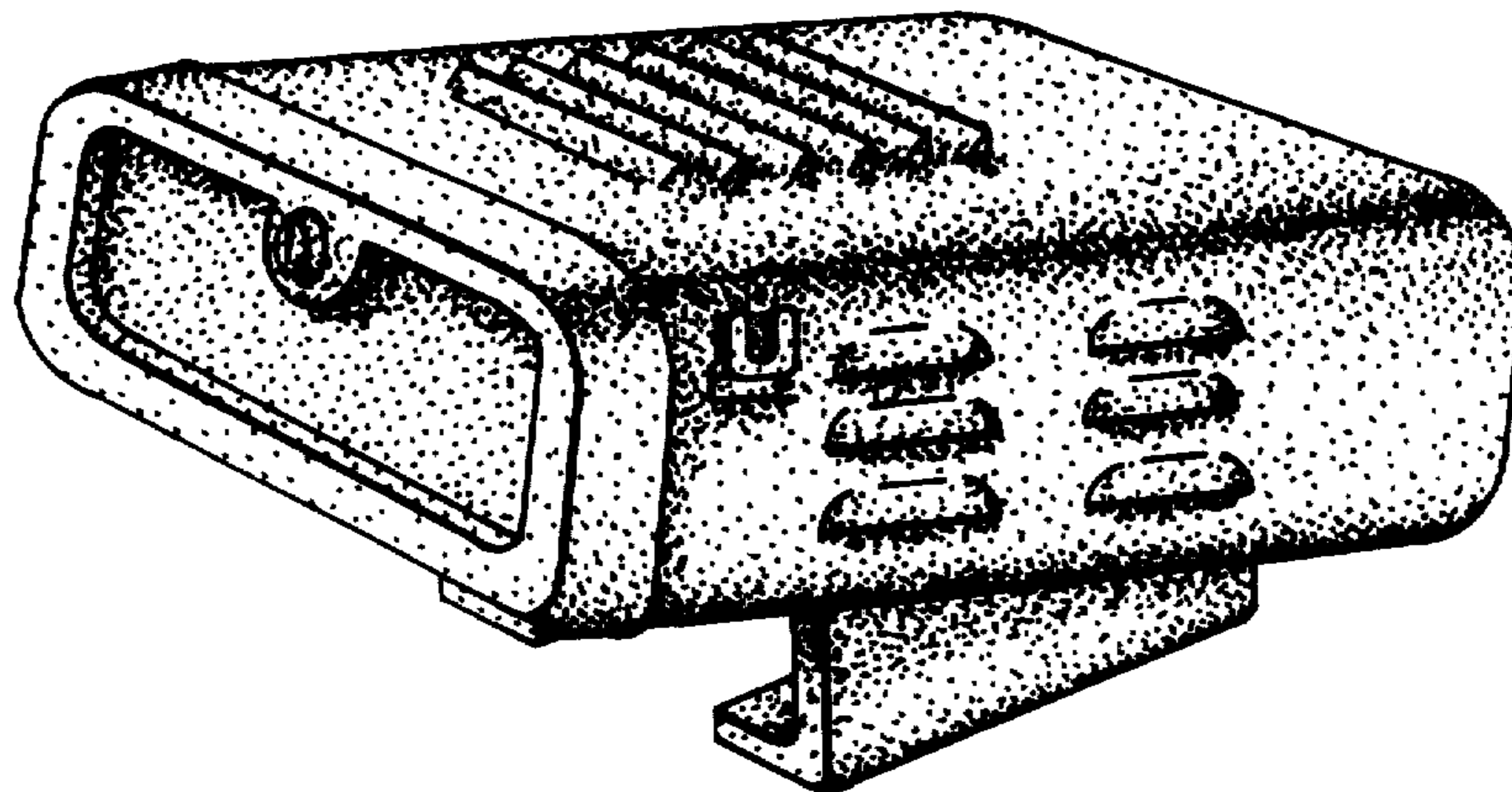


FIG. 1

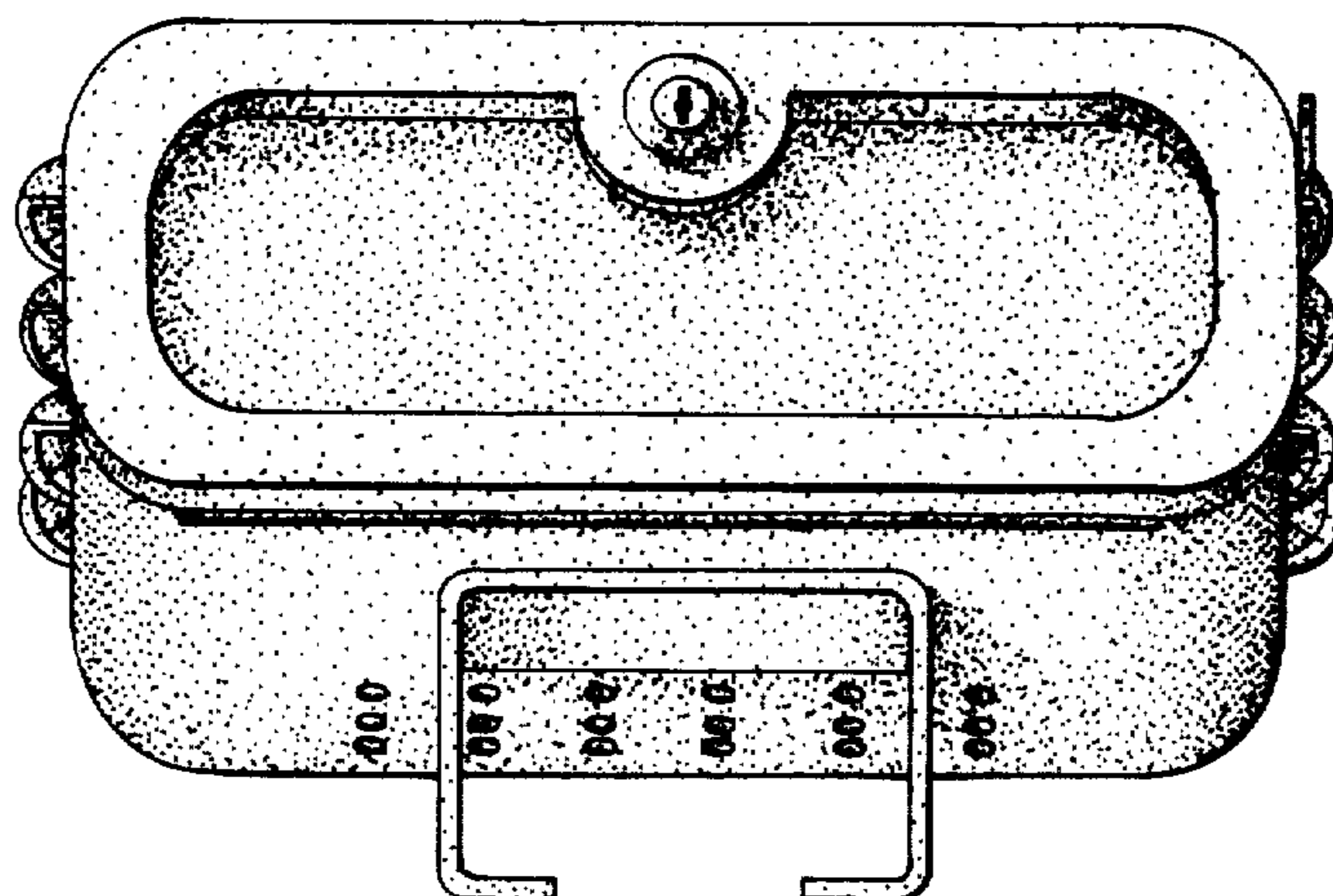
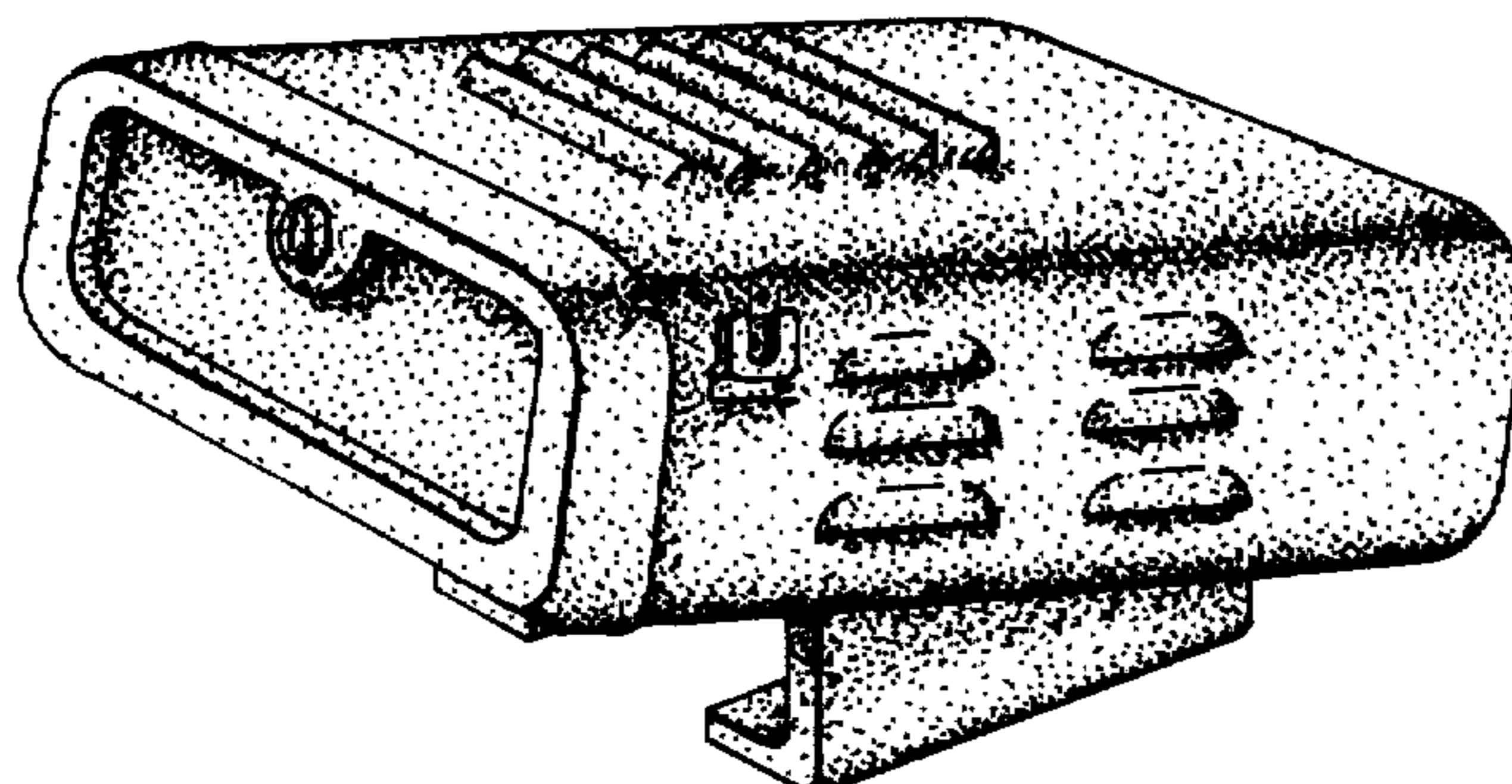


FIG. 2

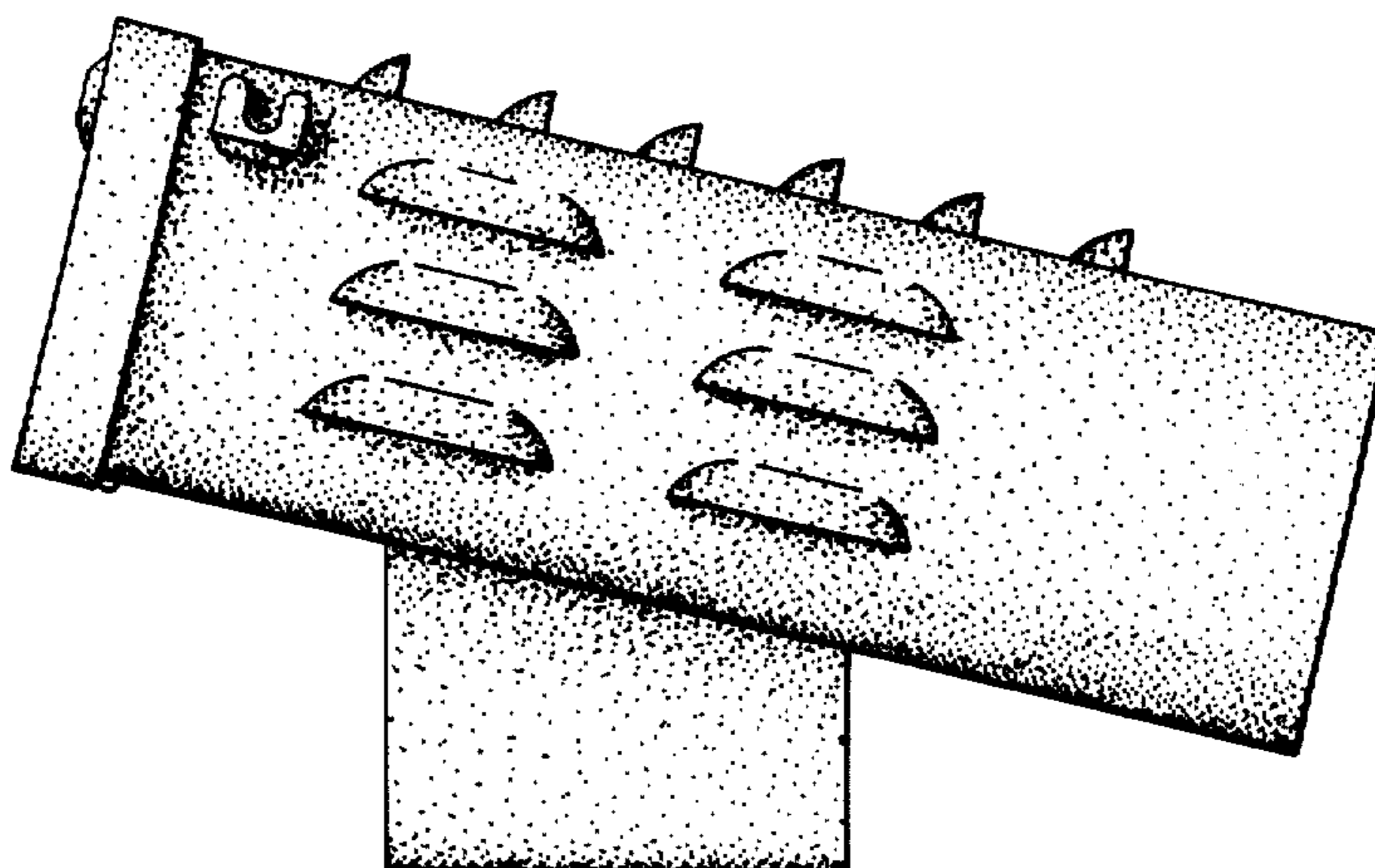


FIG. 3

FIG. 4

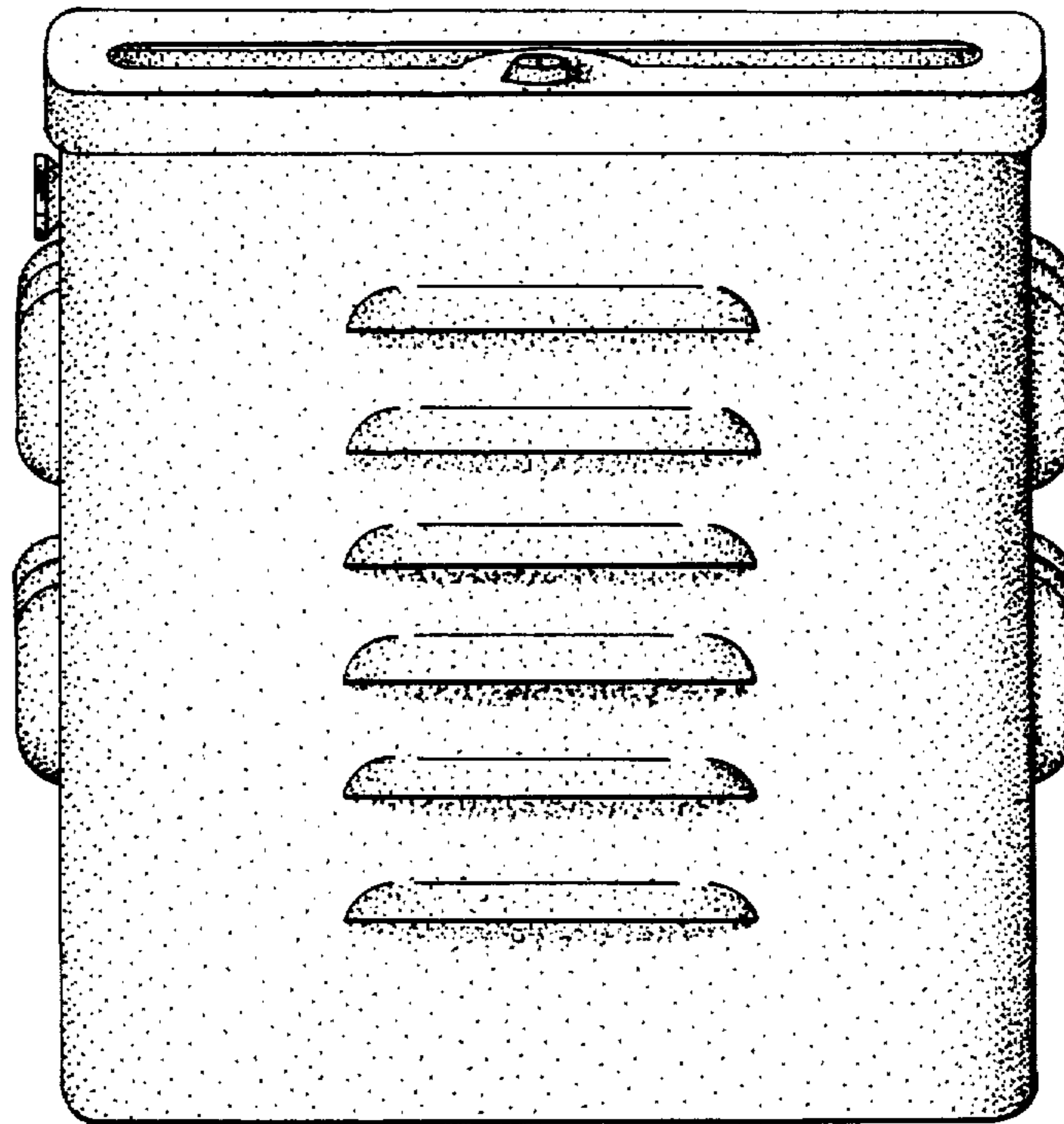
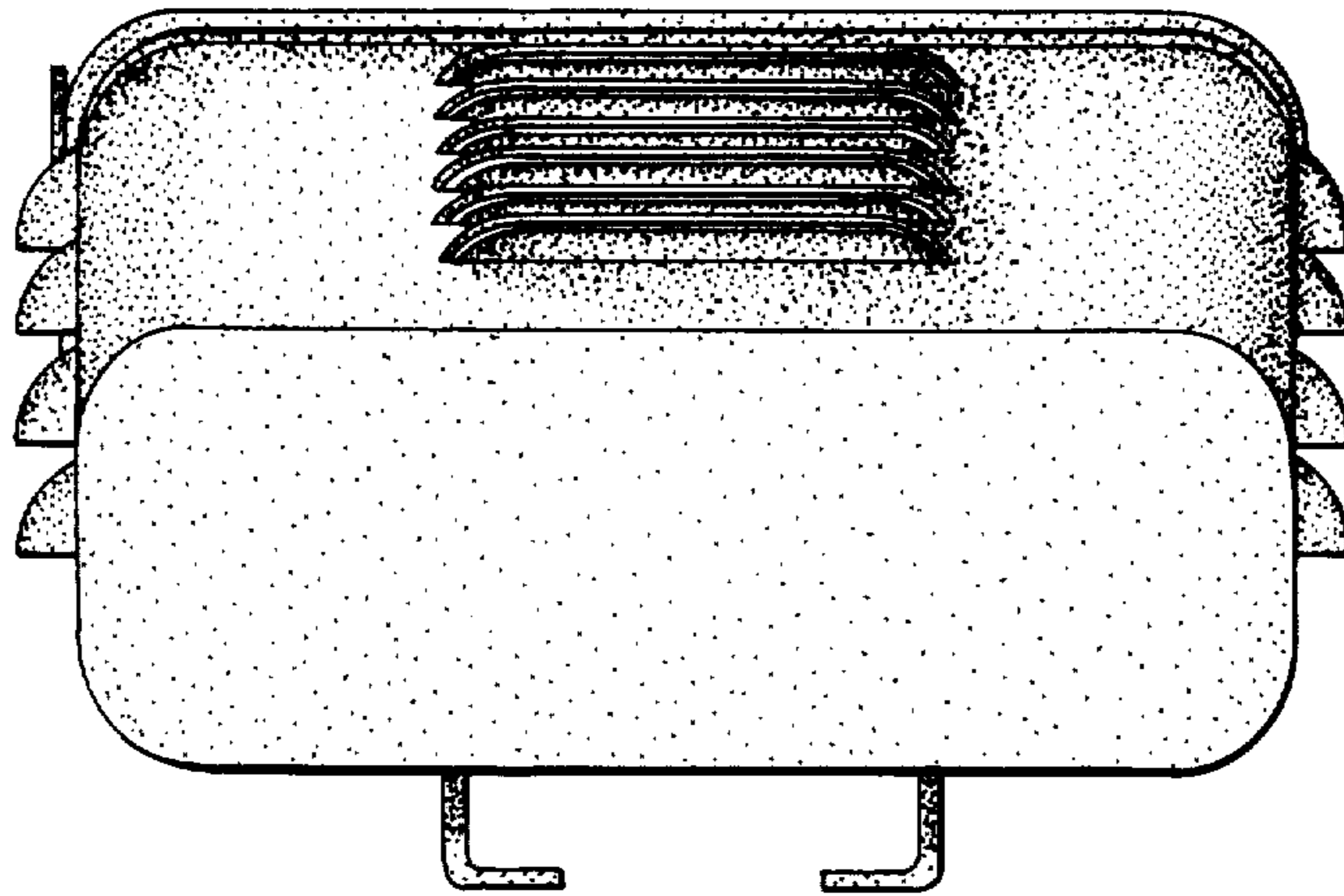


FIG. 5

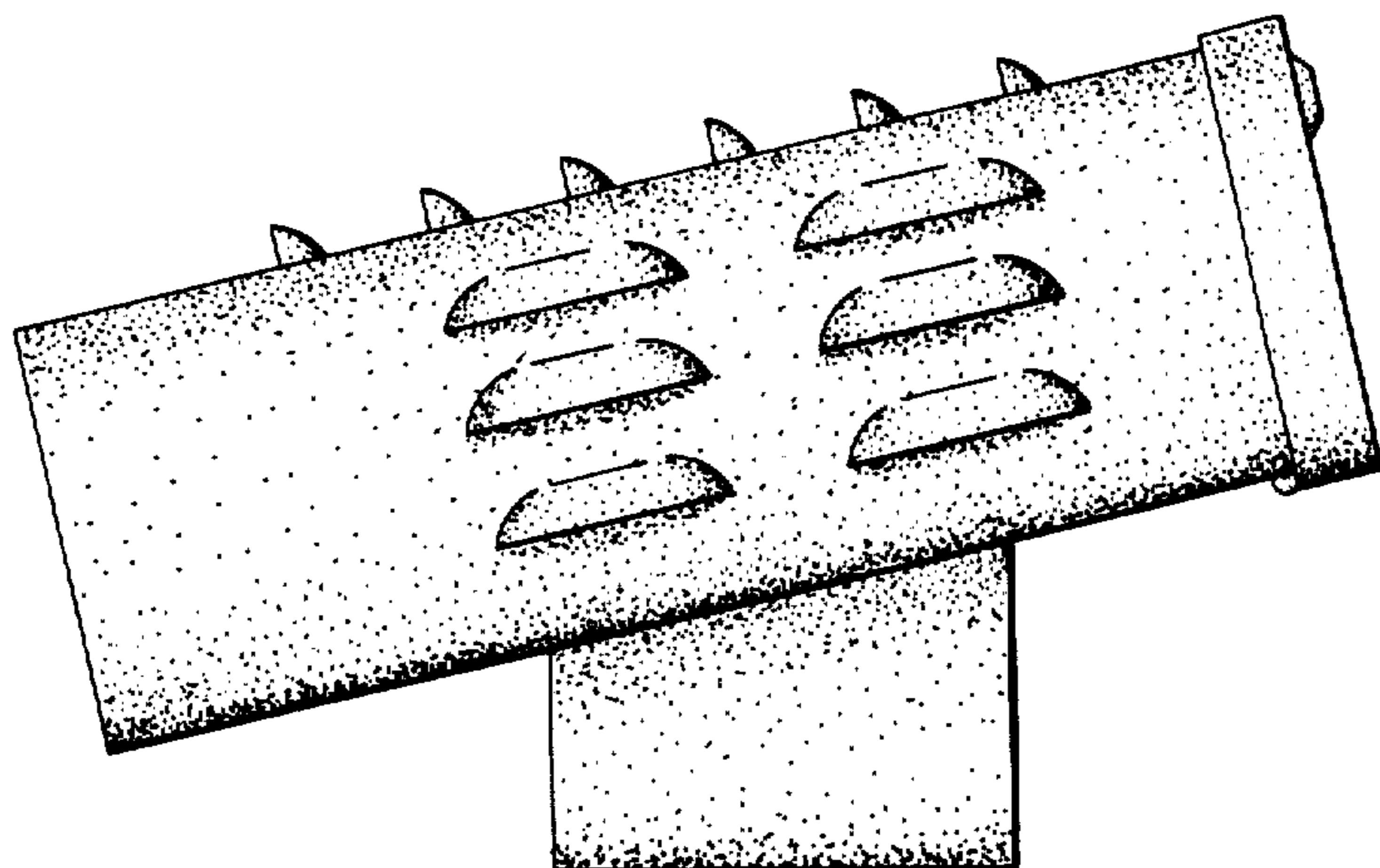


FIG. 6

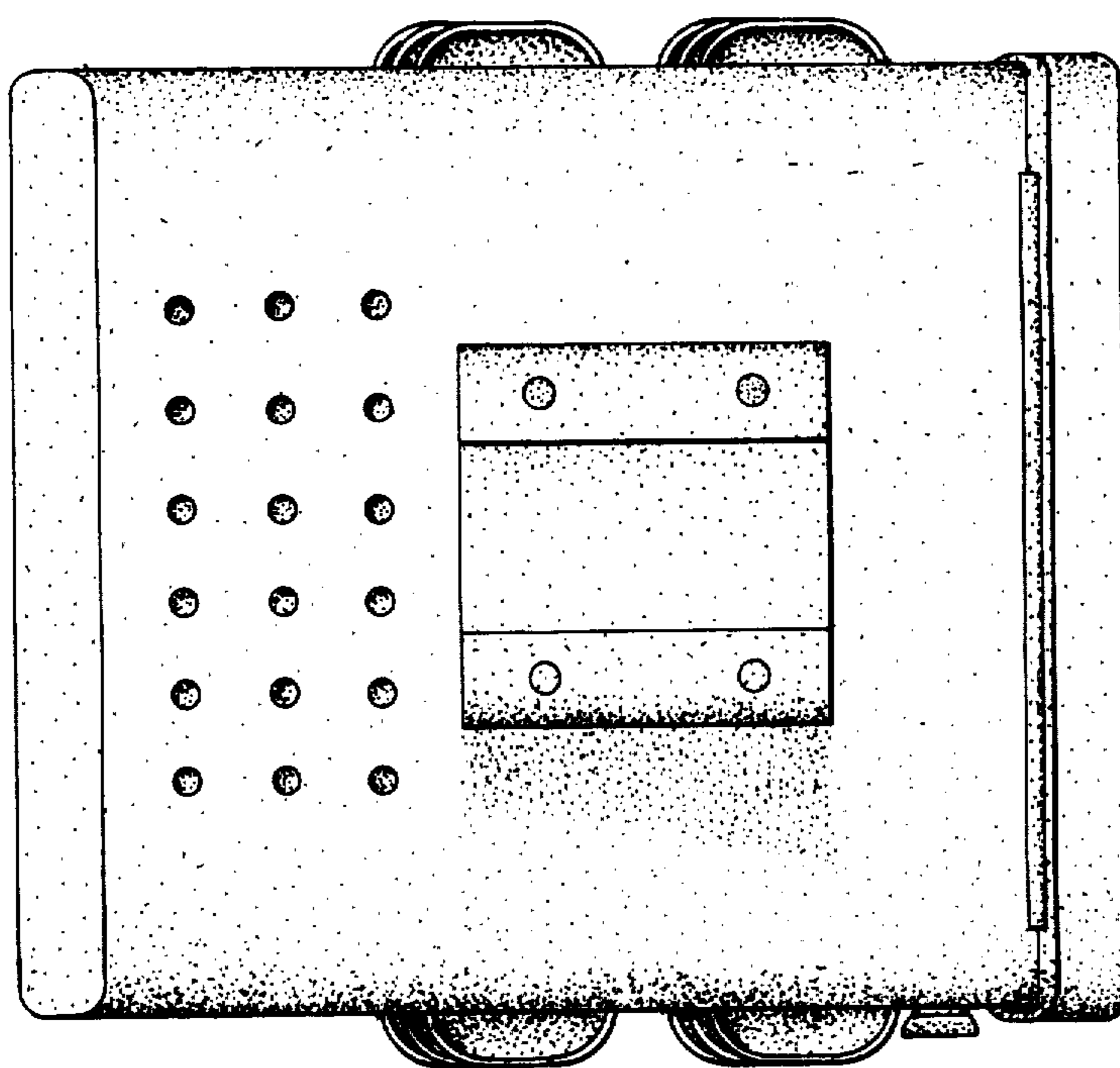


FIG. 7