

- [54] TONER POWDER SUPPLY CONTAINER
- [75] Inventors: **Gilmore N. Alseth, Richfield; Richard D. Hipp, Jr., Harris, both of Minn.**
- [73] Assignee: **Minnesota Mining & Manufacturing Company**
- [**] Term: **14 Years**
- [21] Appl. No.: **670,450**
- [22] Filed: **Mar. 25, 1976**
- [51] Int. Cl. **D9-03**
- [52] U.S. Cl. **D9/224**
- [58] Field of Search **222/DIG. 1; D9/193, D9/216, 222-240; D87/1 R**

| | | | |
|------------|---------|-------------------|--------------|
| 3,999,654 | 12/1976 | Pollack | 222/DIG. 1 X |
| D. 218,805 | 9/1970 | Stone et al. | D9/224 |
| D. 236,694 | 9/1975 | Avolio | D9/216 |

Primary Examiner—Robert C. Spangler
Attorney, Agent, or Firm—Cruzan Alexander

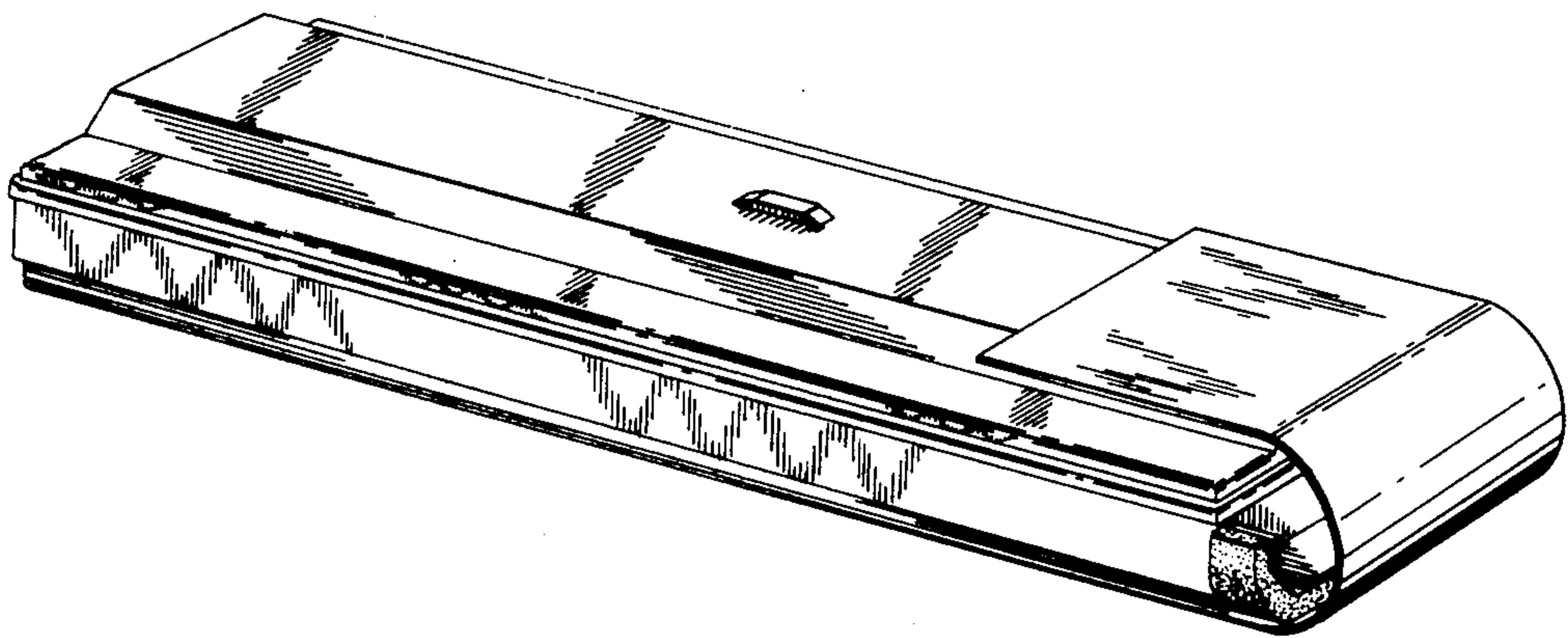
[57] **CLAIM**

The ornamental design for a toner powder supply container, substantially as shown.

DESCRIPTION

FIG. 1 is a front, top and right side perspective view of a toner powder supply container embodying our new design;
 FIG. 2 is a plan view thereof;
 FIG. 3 is a front view;
 FIG. 4 is a bottom view;
 FIG. 5 is a rear view;
 FIG. 6 is a right end view; and
 FIG. 7 is a left end view thereof.

- [56] **References Cited**
- U.S. PATENT DOCUMENTS**
- 3,915,208 10/1975 Anderson 222/DIG. 1 X



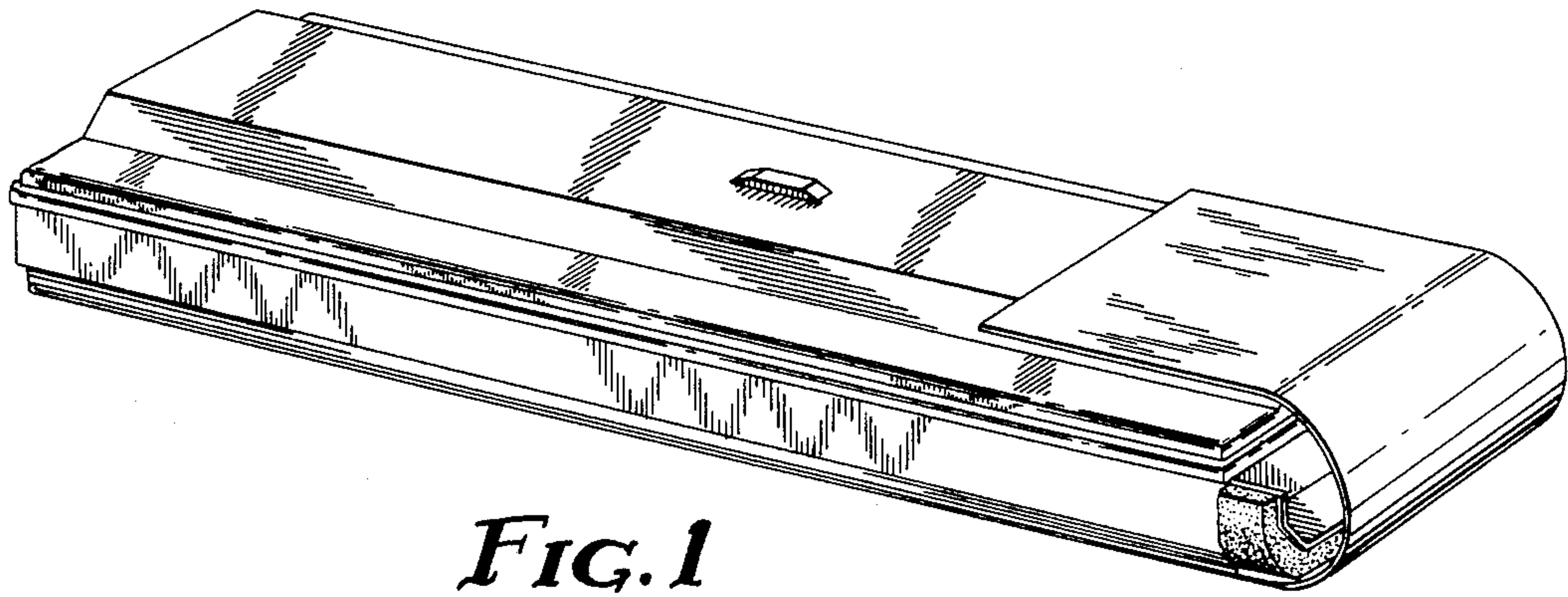


FIG. 1

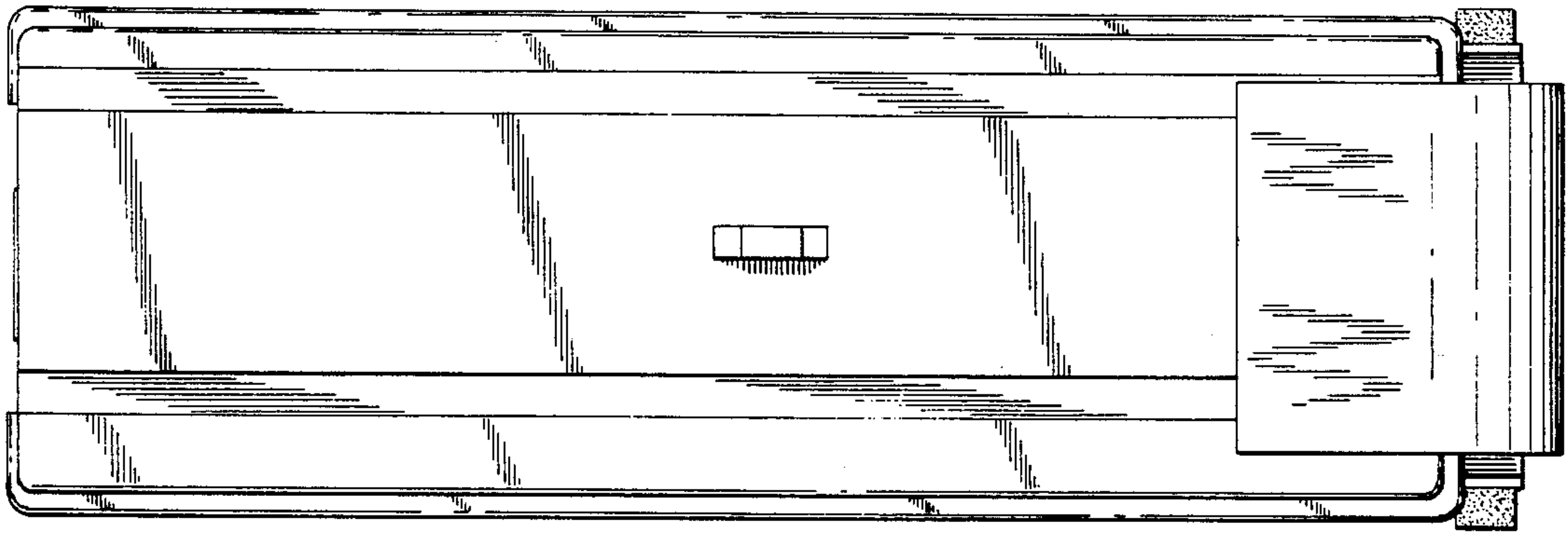


FIG. 2

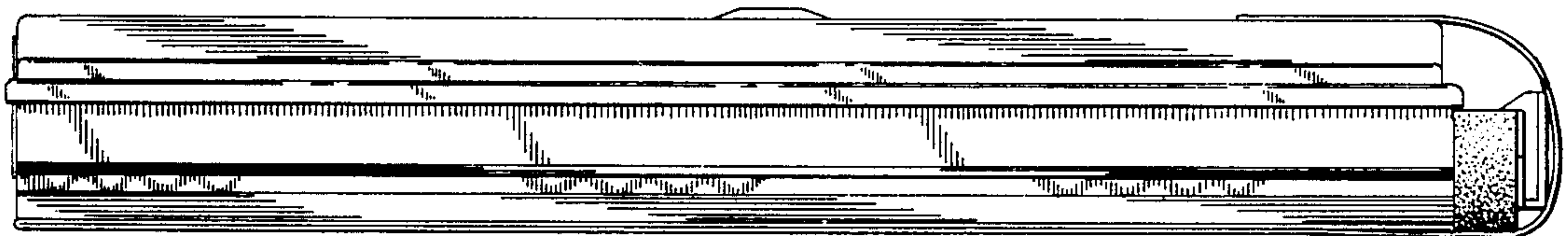


FIG. 3

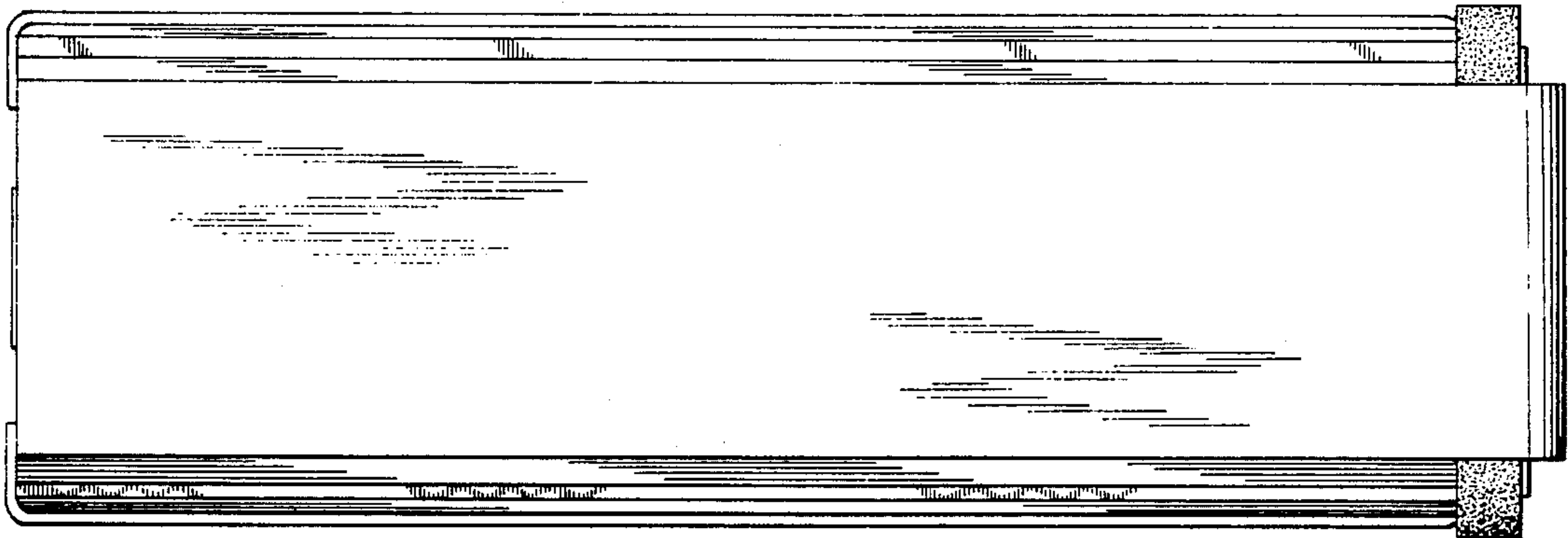


FIG. 4

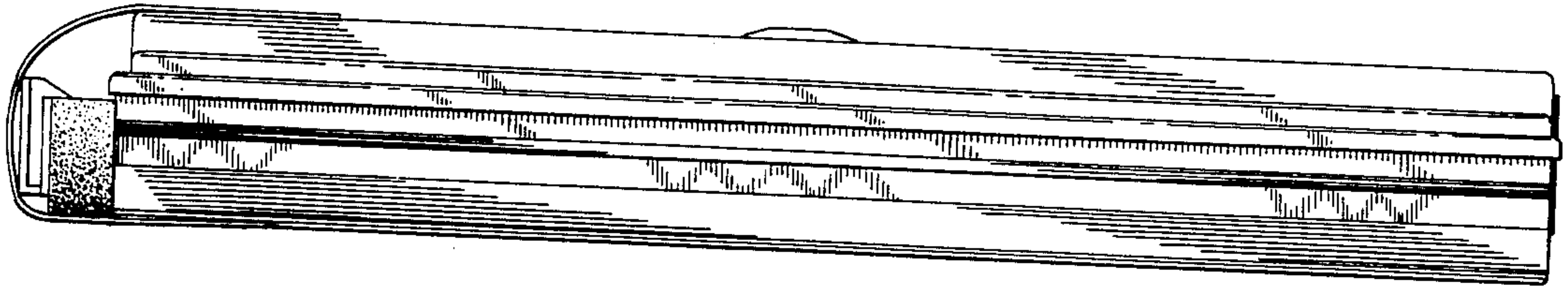


FIG. 5

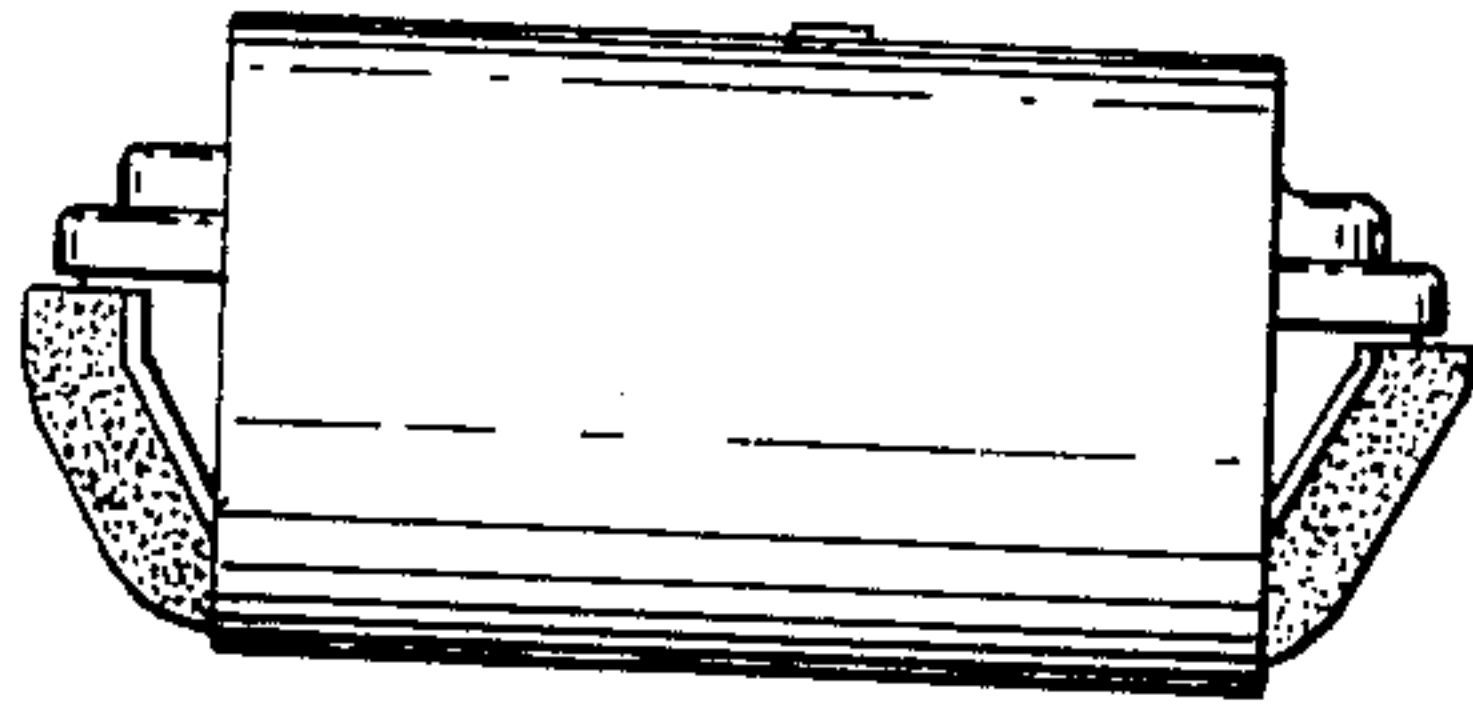


FIG. 6

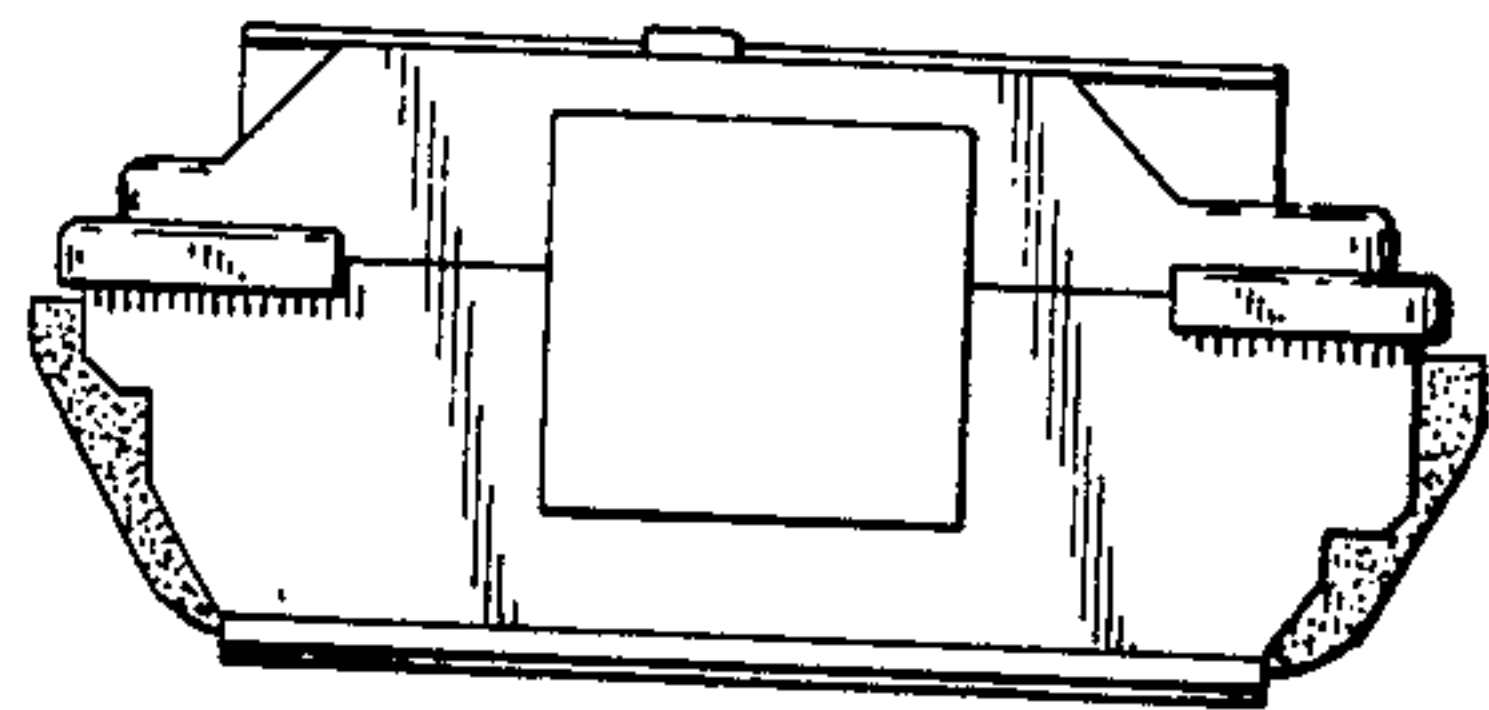


FIG. 7