

[54] COMBINED BRACKET AND SUPPORTING ARM FOR HOLDING BALLOONS OR THE LIKE

3,935,830 2/1976 Cox ..... 248/251  
3,948,424 4/1976 Hunn et al. .... 224/41

[76] Inventor: Nathaniel Henry Lewis, P.O. Box 20424, Los Angeles, Calif. 90006

Primary Examiner—Wallace R. Burke  
Assistant Examiner—James M. Gandy

[\*\*] Term: 14 Years

[57] CLAIM

[21] Appl. No.: 689,670

The ornamental design for a combined bracket and supporting arm for holding balloons or the like, as shown and described.

[22] Filed: May 24, 1976

DESCRIPTION

[51] Int. Cl. .... D8-08

FIG. 1 is a top plan view of the combined bracket and supporting arm for holding balloons or the like, showing my new design,

[52] U.S. Cl. .... D8/349

FIG. 2 is a rear elevational view thereof;

[58] Field of Search ..... D12/114; D6/85, 113, D6/114, 125; D10/109; 248/225.3, 230, 315, 309 R, 251; 224/41, 39, 30 A, 30 R; 280/289 R, 289 E, 289 H; D8/349, 367, 373, 380, 396, 394

FIG. 3 is a left side elevational view thereof;

FIG. 4 is a right side elevational view thereof;

FIG. 5 is a front elevational view thereof; and

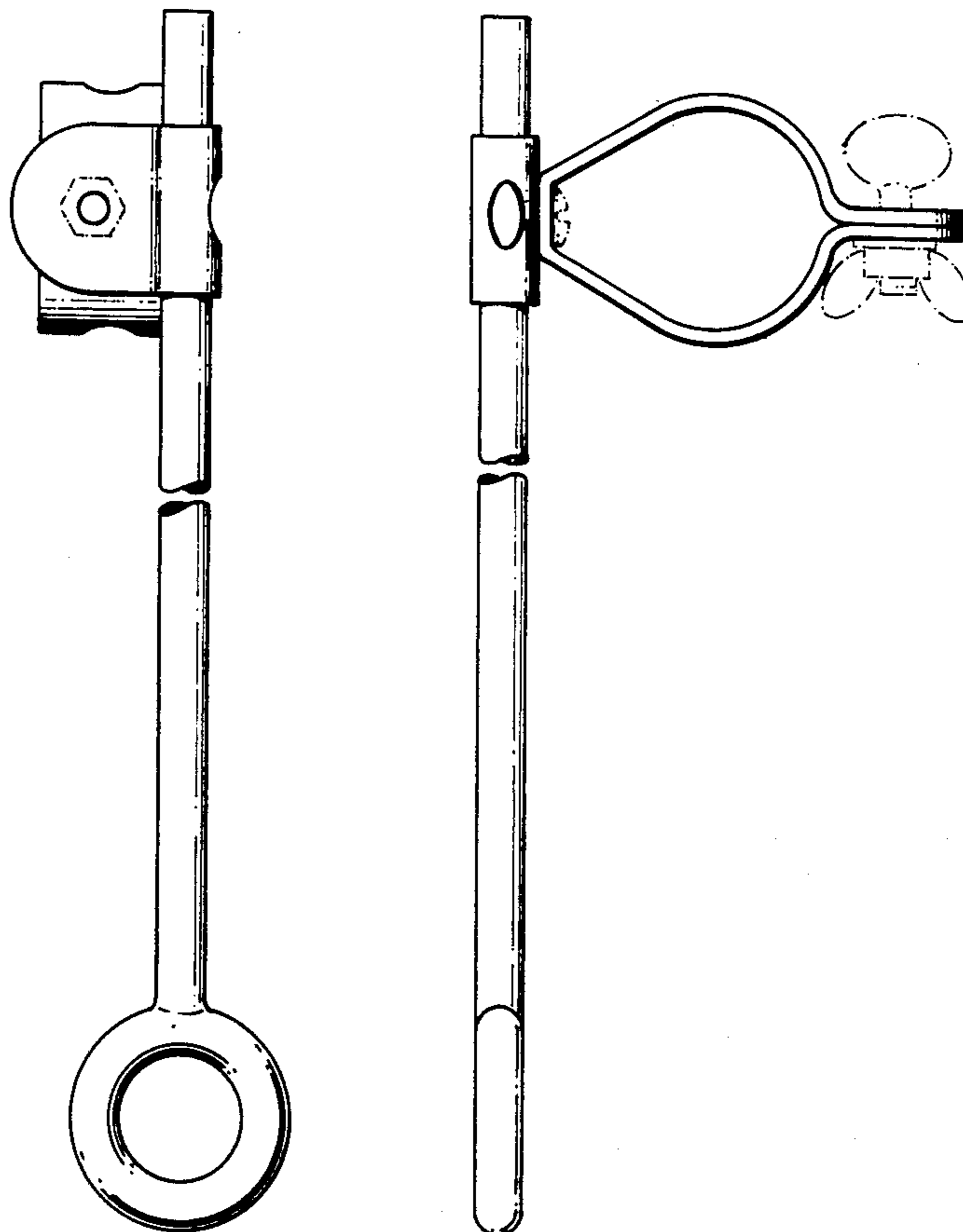
FIG. 6 is a bottom plan view thereof with a portion of the supporting arm broken away for convenience of illustration.

[56] References Cited

U.S. PATENT DOCUMENTS

1,132,554	3/1915	Brett	248/230
1,557,604	10/1925	Bannon et al.	248/230
2,888,113	5/1959	Schwartz et al.	248/230
3,289,982	12/1966	Hart, Jr.	248/230
3,650,544	3/1972	Cassell	248/230

The supporting arm has been broken away in the middle in FIGS. 1, 3 and 4 to indicate indeterminate length, and the broken lines have been shown therein for illustrative purposes only.



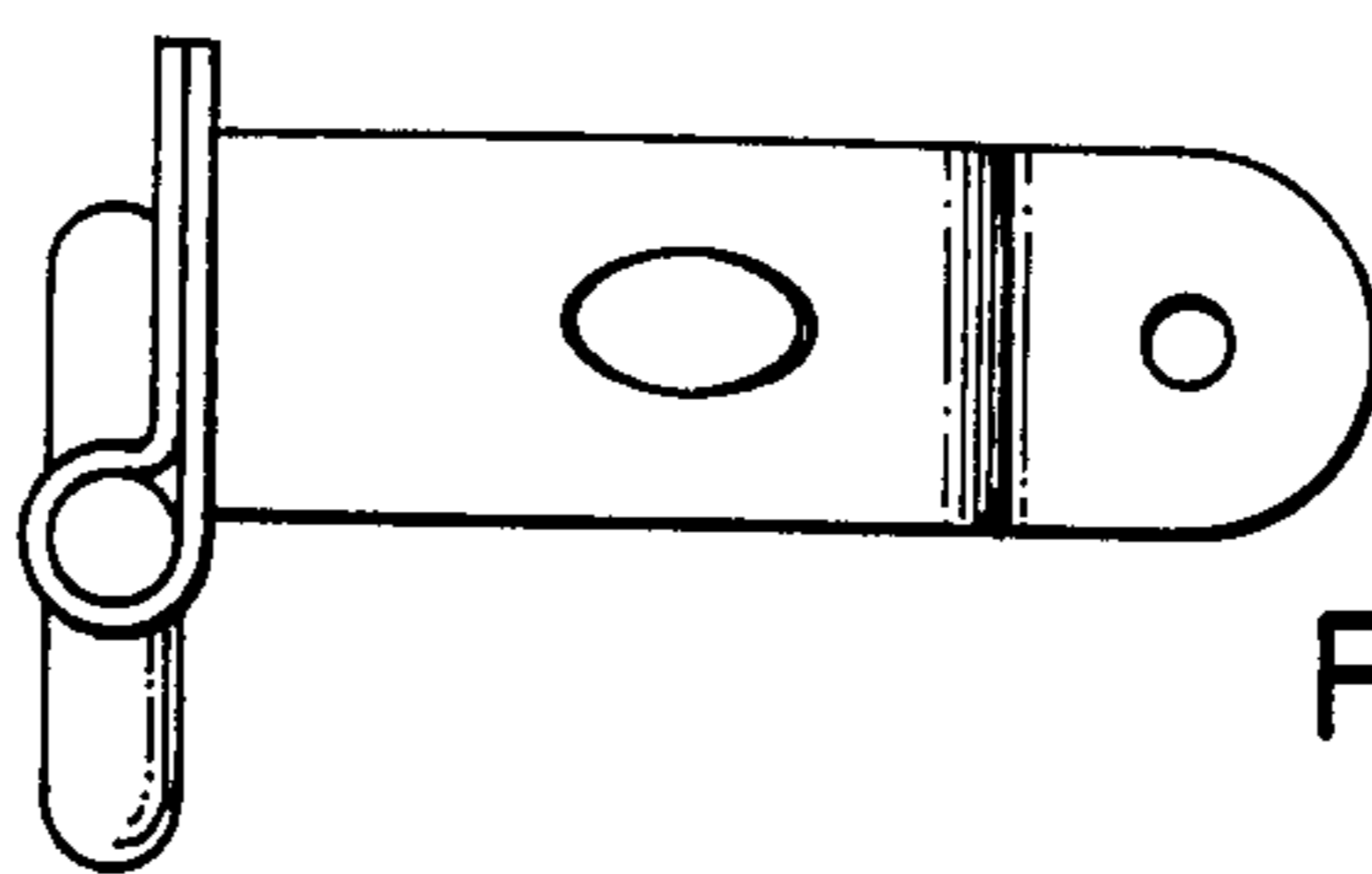


FIG. 2

FIG. 3

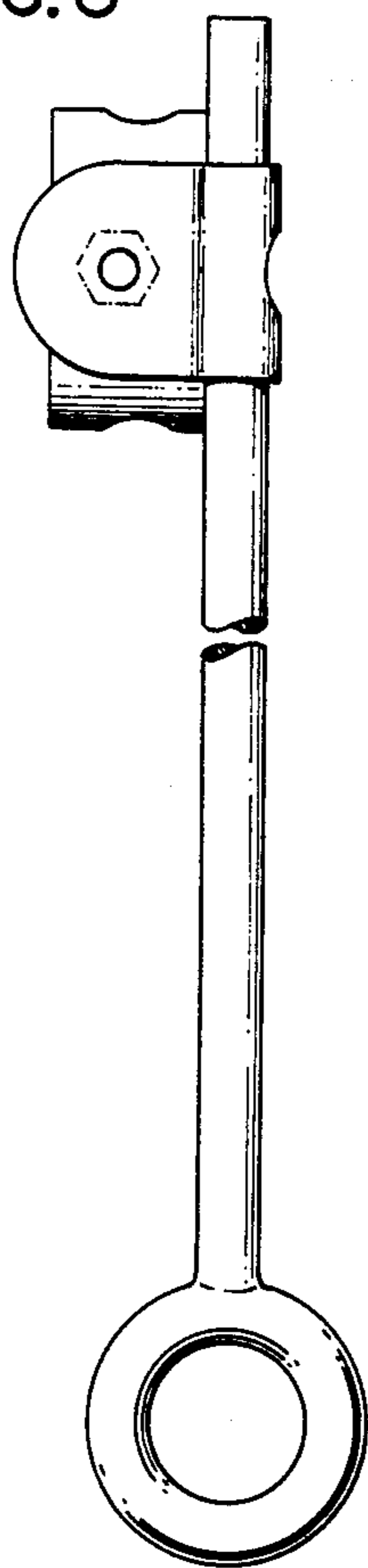


FIG. 1

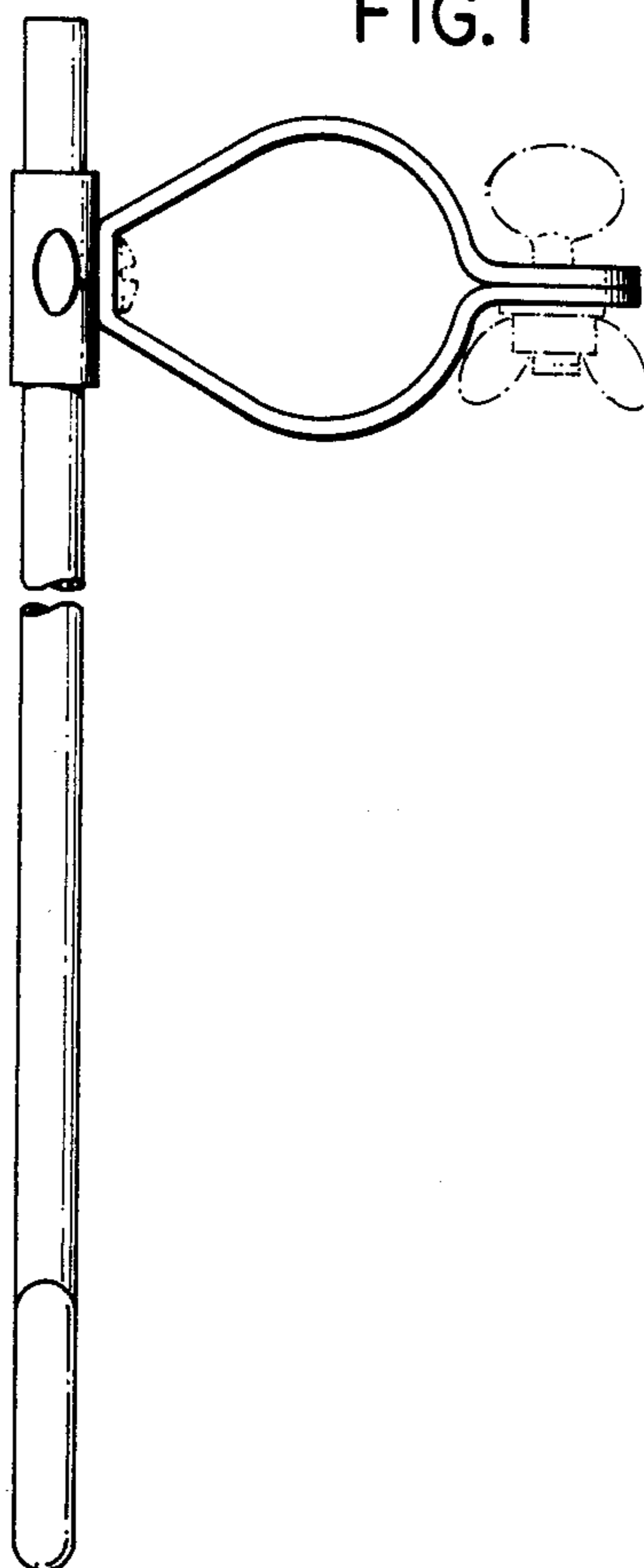


FIG. 4

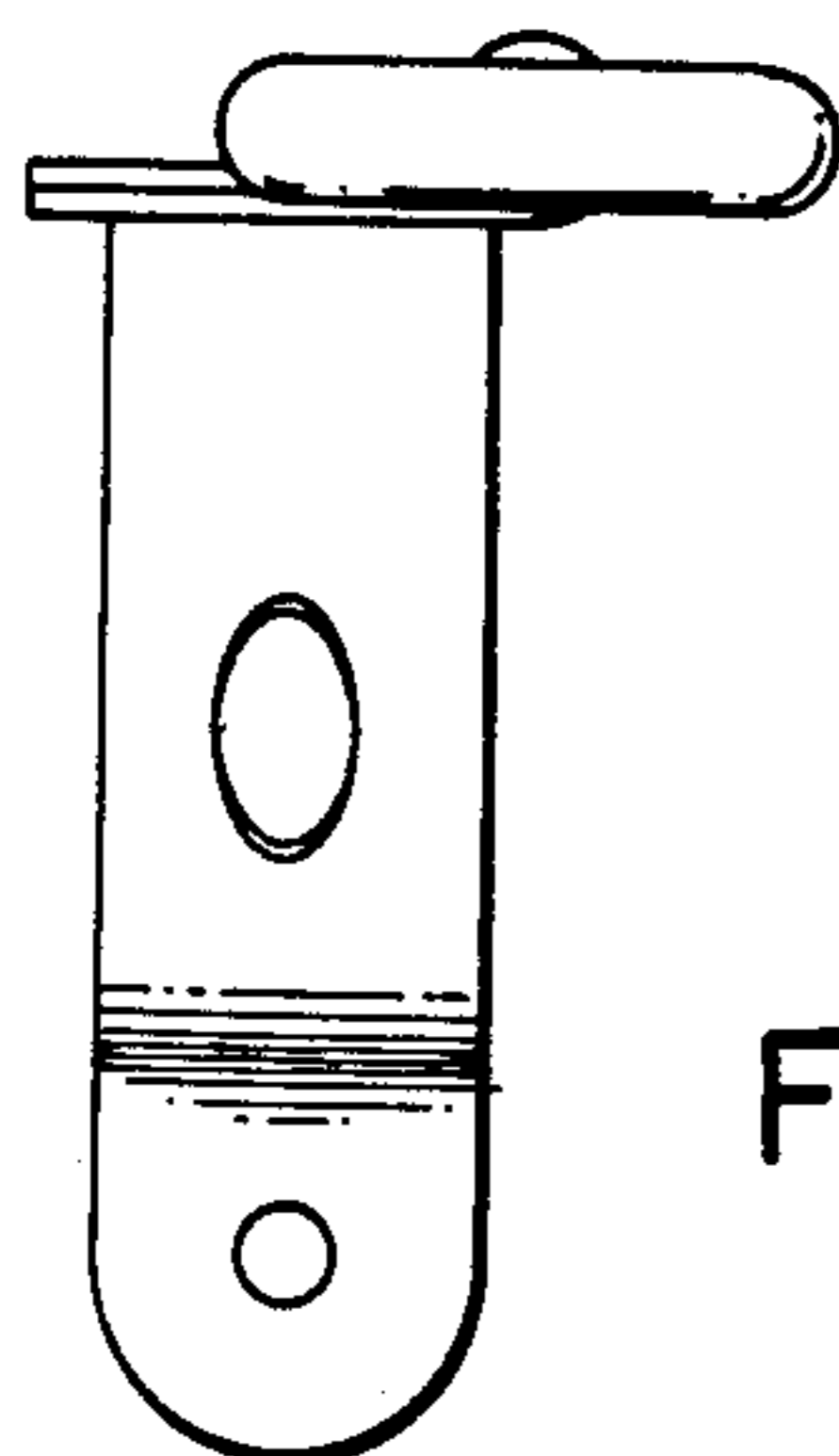
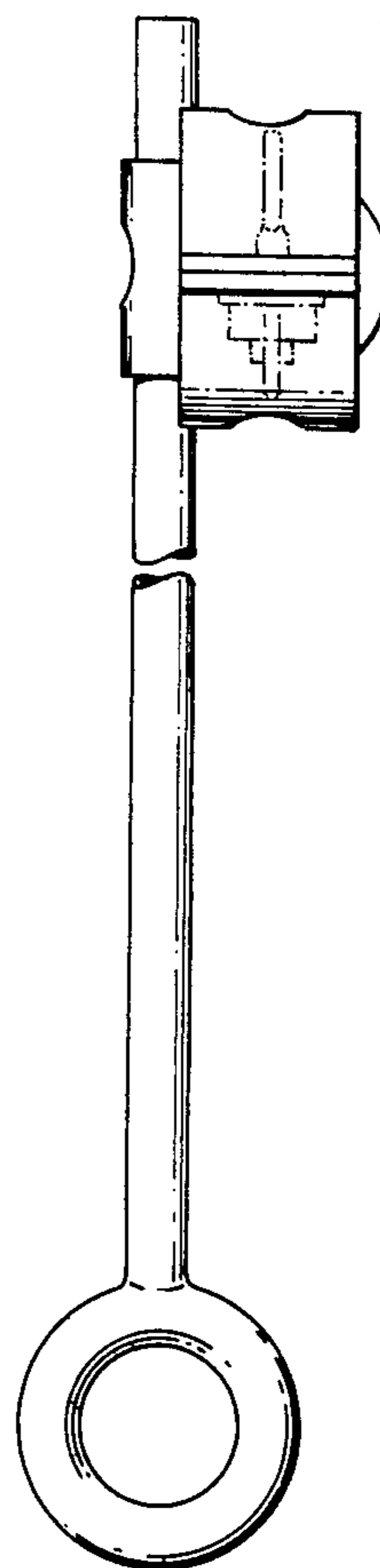


FIG. 5

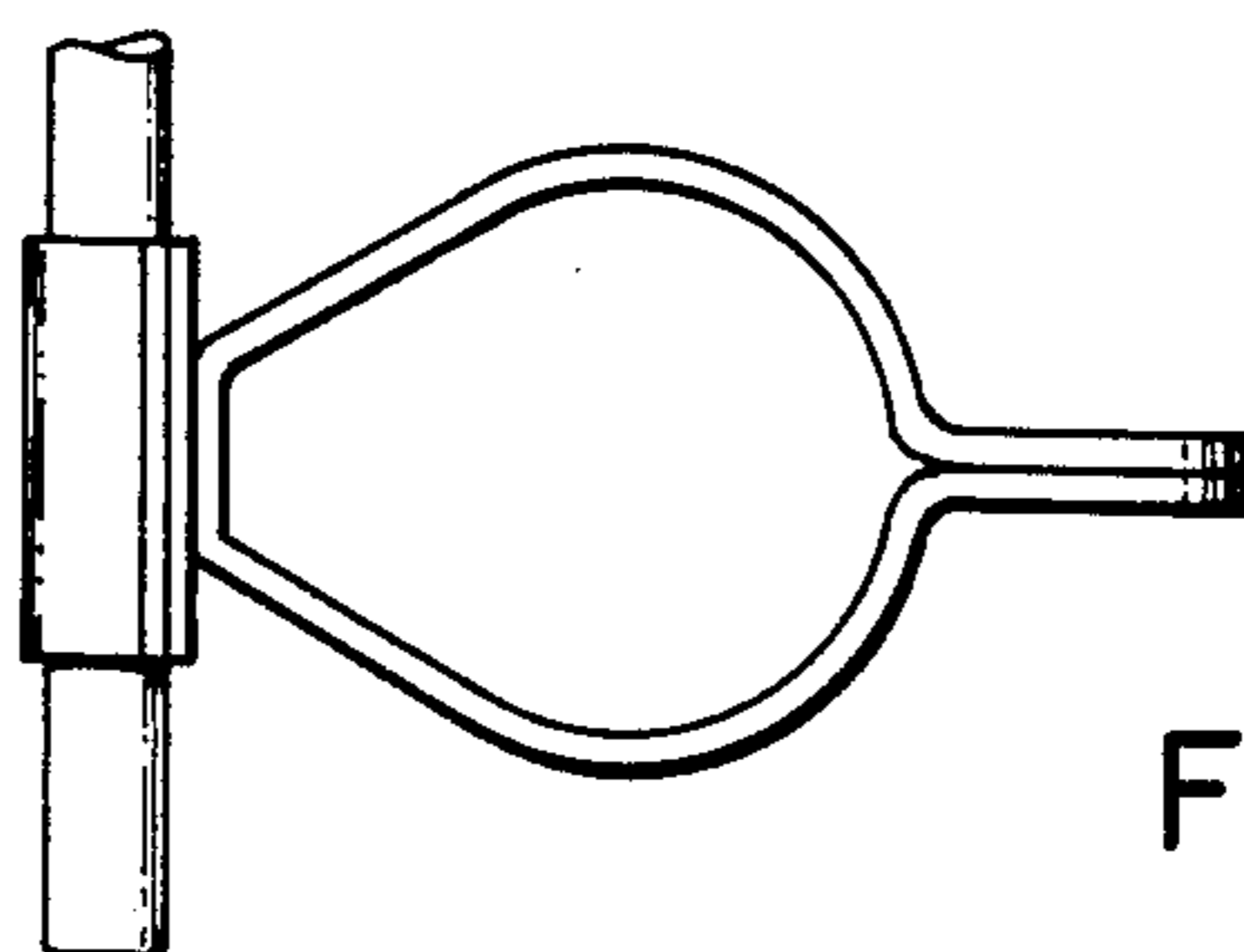


FIG. 6