

[54] **BORDER STABILIZER FOR USE IN THE CONSTRUCTION OF A BOTTOM TYPE MATTRESS**

[75] Inventor: Minoru Ikeda, Kokubunji, Japan

[73] Assignee: France Bed Co. Ltd.

[\*\*] Term: 14 Years

[21] Appl. No.: 543,926

[22] Filed: Jan. 24, 1975

**Related U.S. Application Data**

[63] Continuation of Ser. No. 317,156, Dec. 21, 1972, abandoned.

[30] **Foreign Application Priority Data**

Sept. 5, 1972 Japan ..... 47-39173

[51] Int. Cl. .... D6-01

[52] U.S. Cl. .... D6/201

[58] Field of Search ..... D6/79-84,

D6/191, 196, 198, 201; D19/1; 5/200 R, 351,

360; 248/345.1; D31/3; D25/74, 75, 79

[56] **References Cited**

**U.S. PATENT DOCUMENTS**

D. 90,691 9/1933 Wilson ..... D6/196  
D. 215,432 9/1969 Peter ..... D31/3

**FOREIGN PATENT DOCUMENTS**

469,475 8/1914 France ..... 5/200 R

*Primary Examiner*—Joel Stearman  
*Assistant Examiner*—J. Corrigan  
*Attorney, Agent, or Firm*—Otto John Munz

[57] **CLAIM**

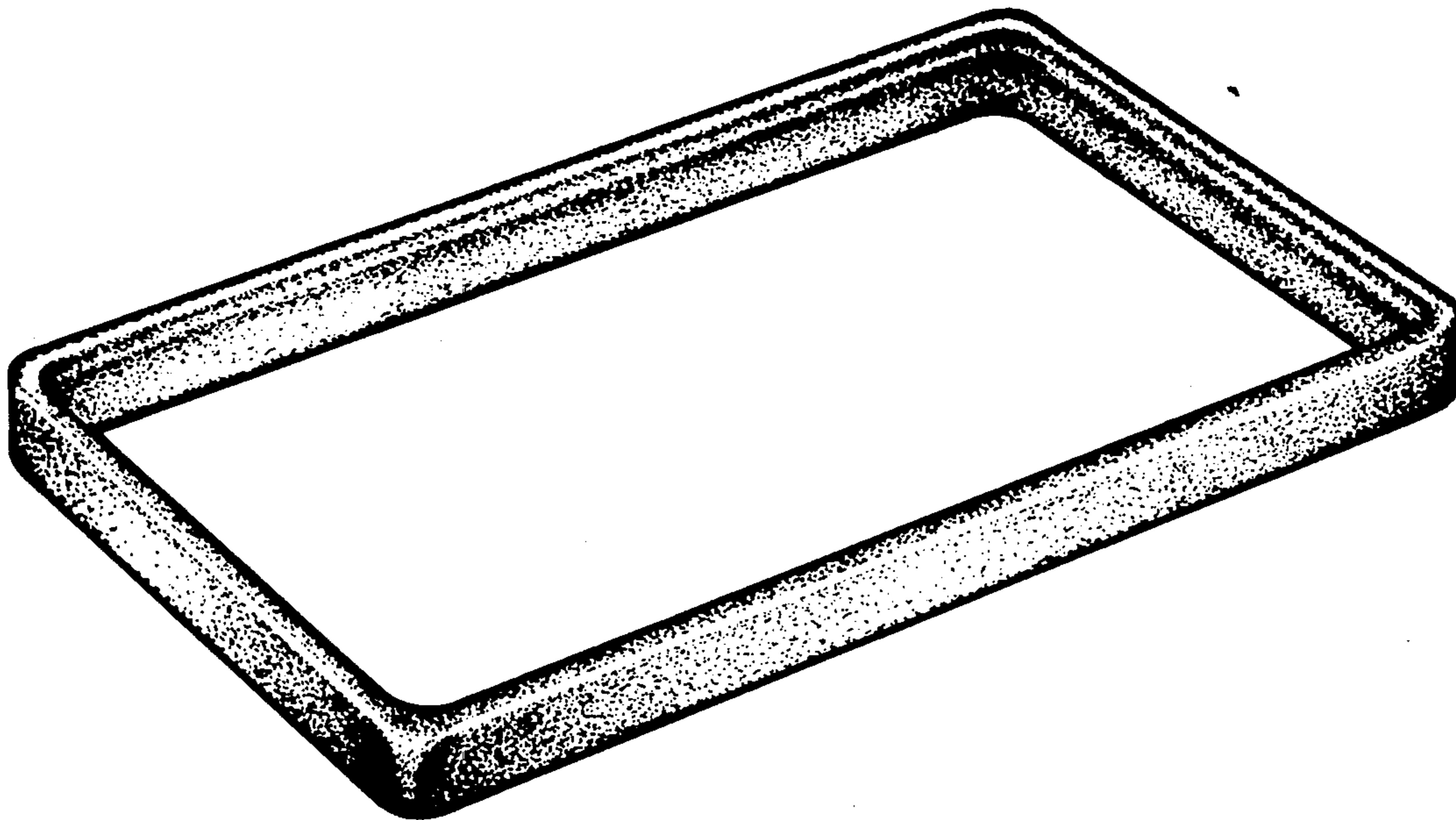
The design for a border stabilizer for use in the construction of a bottom type mattress, as shown and described.

**DESCRIPTION**

FIG. 1 is a perspective view of a border stabilizer for use in the construction of bottom type mattress showing my new design;

FIG. 2 is a top plan view; and

FIG. 3 is a sectional view taken along line 3—3 of FIG. 2.



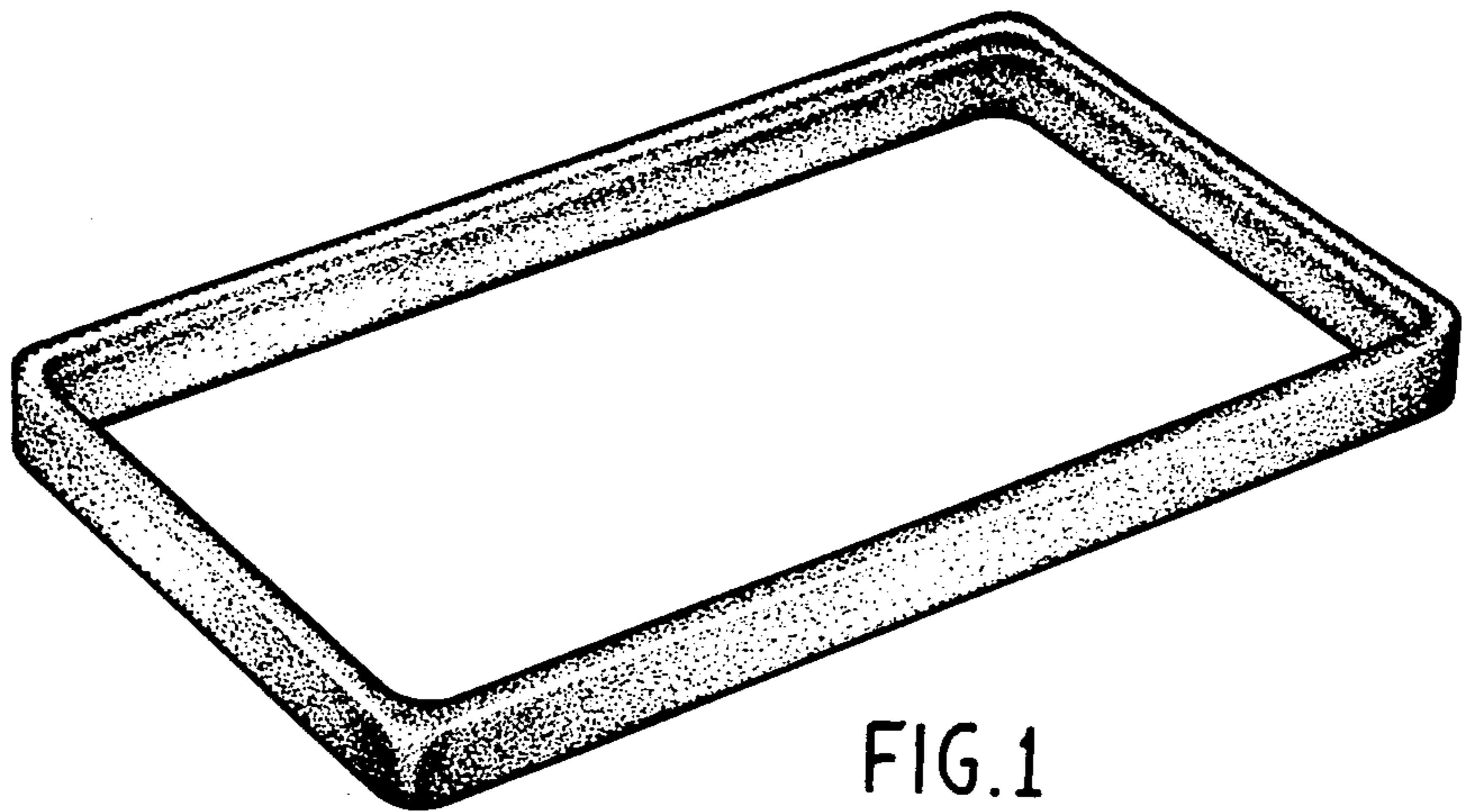


FIG. 1

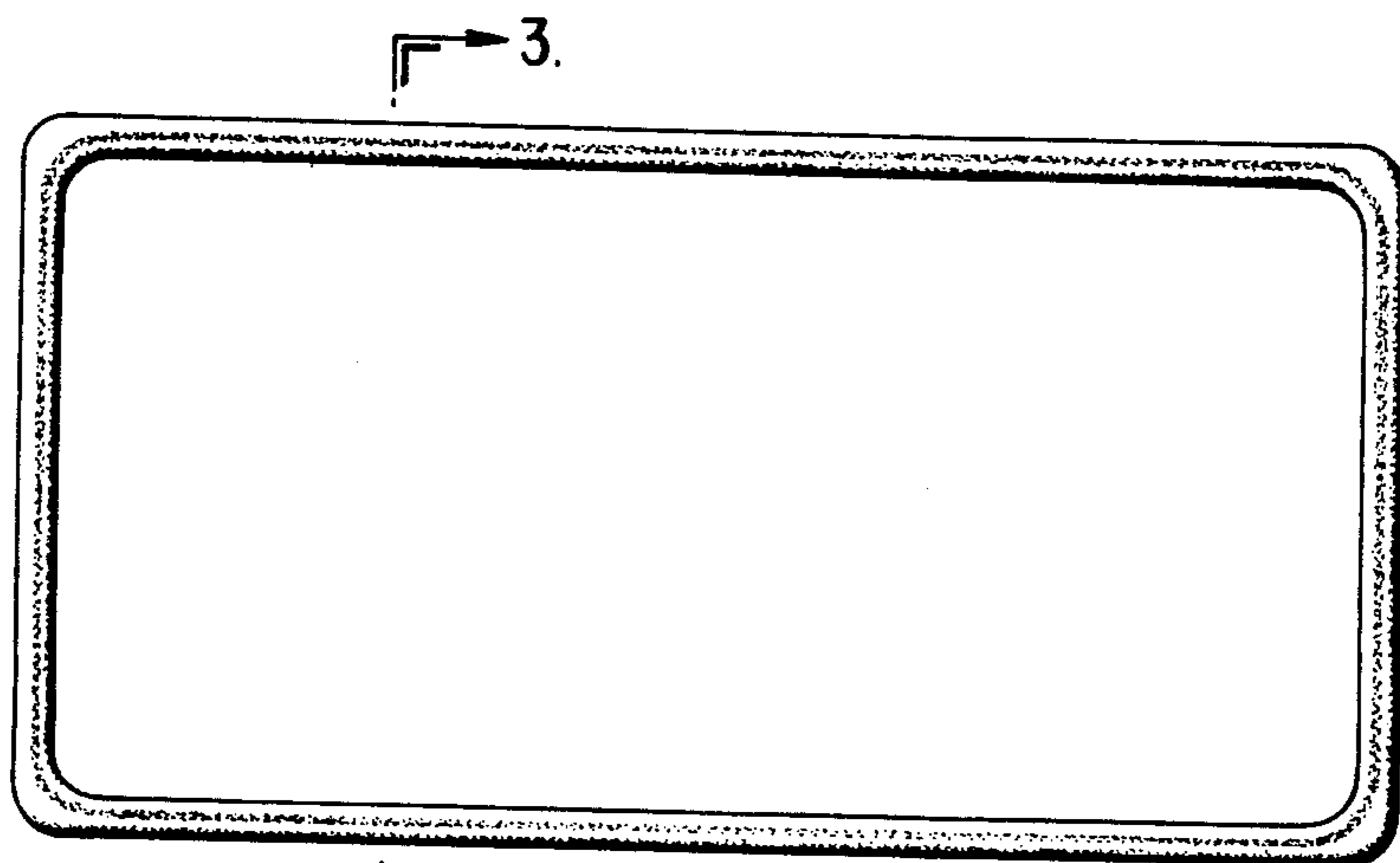


FIG. 2

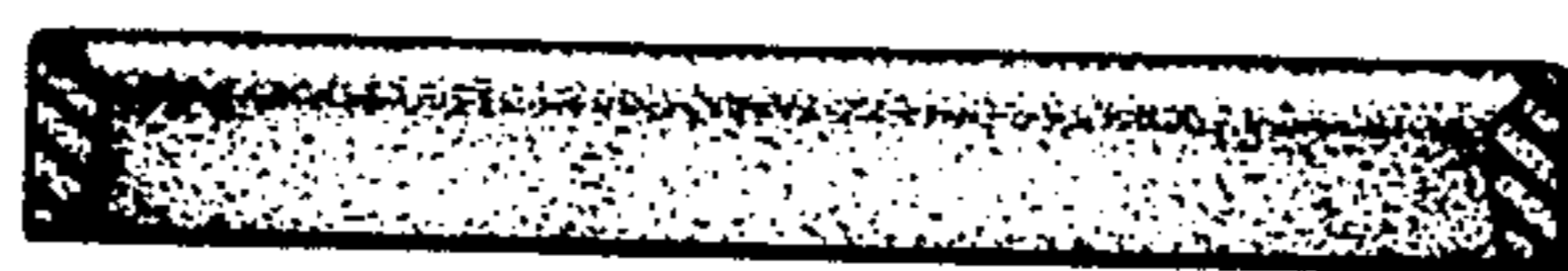


FIG. 3