

[54] **CALCULATOR SUPPORT STAND**

[76] **Inventor:** Charles Wayne Sullivan, 3849  
Dieckman Lane, Cincinnati, Ohio  
45245

[\*\*] **Term:** 14 Years

[21] **Appl. No.:** 732,579

[22] **Filed:** Oct. 15, 1976

**Related U.S. Application Data**

[62] Division of Ser. No. 589,869, June 24, 1975.

[51] **Int. Cl.** ..... D6—99

[52] **U.S. Cl.** ..... D6/85

[58] **Field of Search** ..... D6/85, 184, 158, 185;  
D19/91; 248/165, 166, 371, 372, 378

[56] **References Cited**

**U.S. PATENT DOCUMENTS**

3,814,293 6/1974 Daves ..... D6/85  
D. 206,688 1/1967 Balint ..... D9/185  
D. 238,916 2/1976 Cummins ..... D6/85

*Primary Examiner*—Bruce W. Dunkins  
*Attorney, Agent, or Firm*—J. Warren Kinney, Jr.

[57] **CLAIM**

The ornamental design for a calculator support stand, as shown and described.

**DESCRIPTION**

FIG. 1 is a front, top perspective view of the right side of a calculator support stand showing my design.

FIG. 2 is a top, rear perspective view of the left side thereof.

FIG. 3 is a top plan view thereof.

FIG. 4 is an elevational view of the right side of FIG. 2.

FIG. 5 is an elevational view of the left side of FIG. 3.

FIG. 6 is a front elevational view thereof.

FIG. 7 is a rear elevational view thereof.

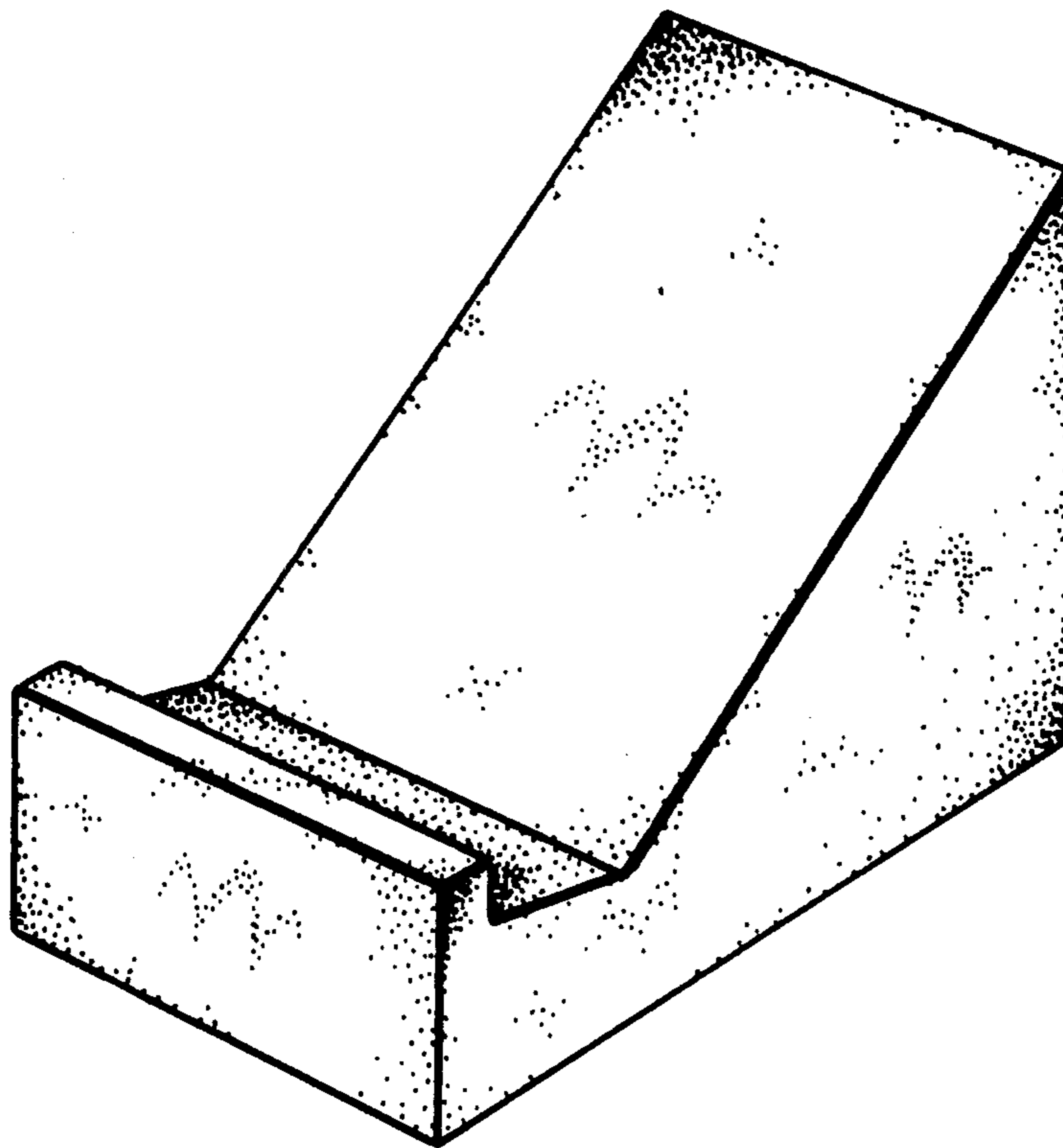


FIG. 1

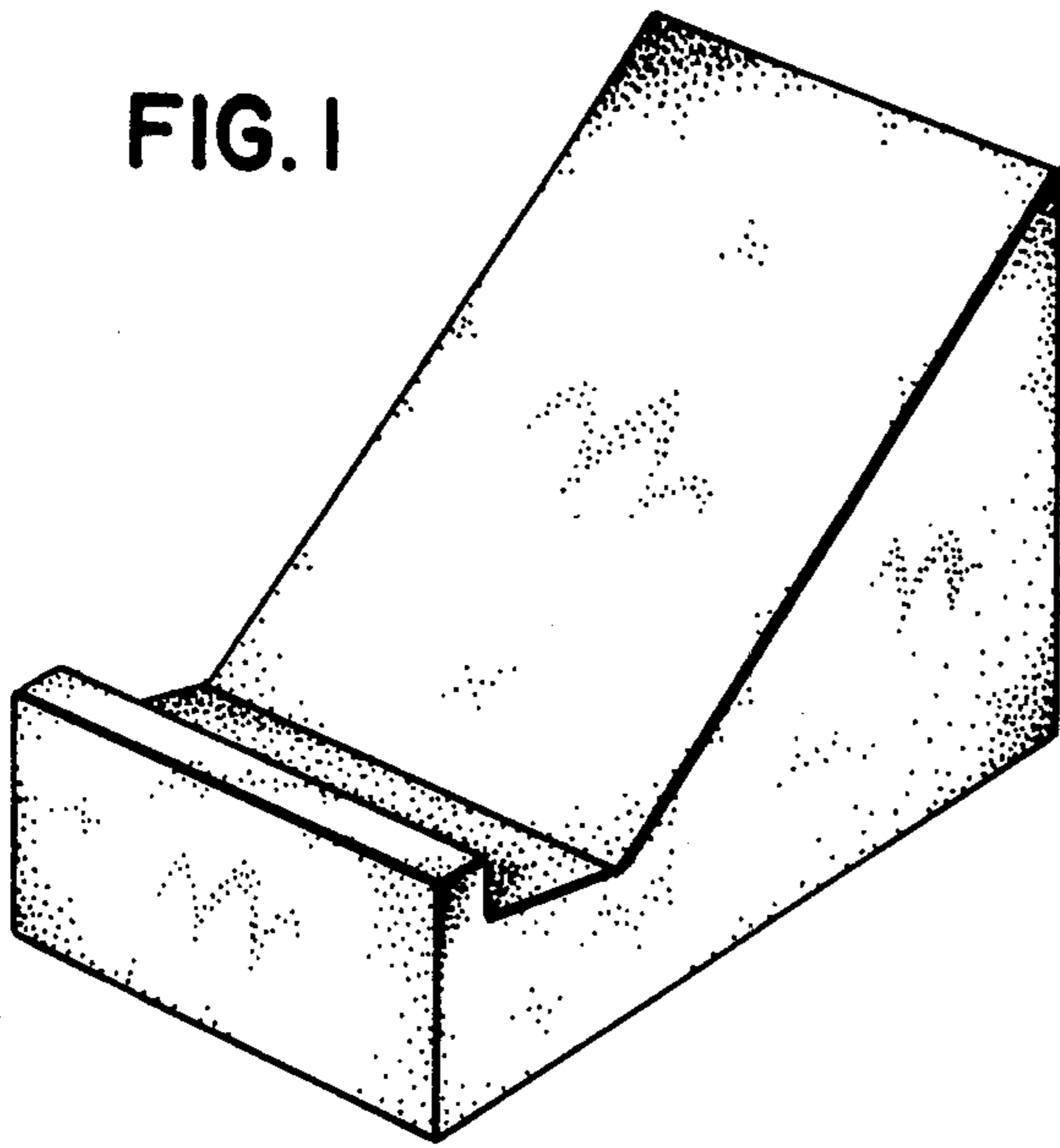


FIG. 2

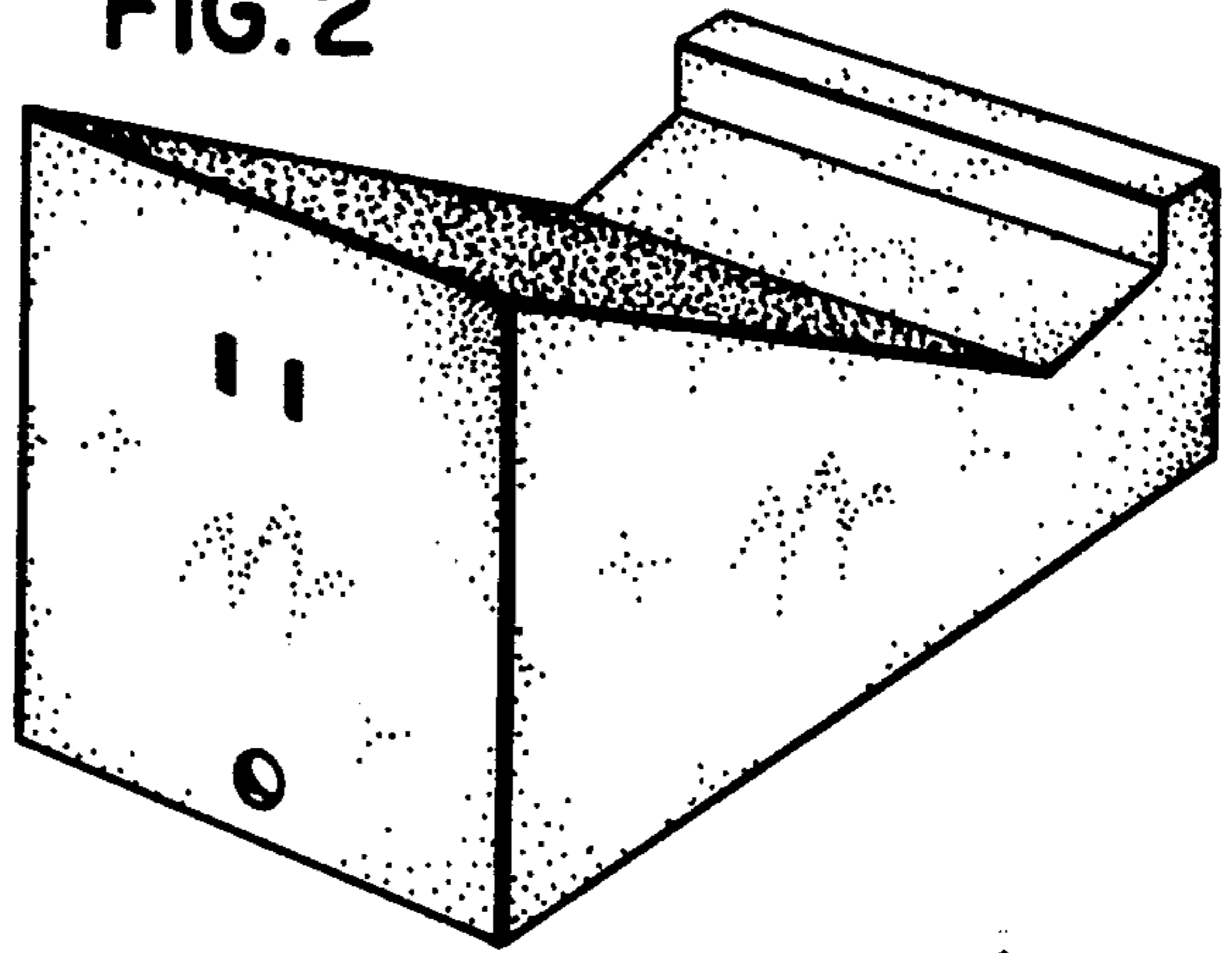


FIG. 3

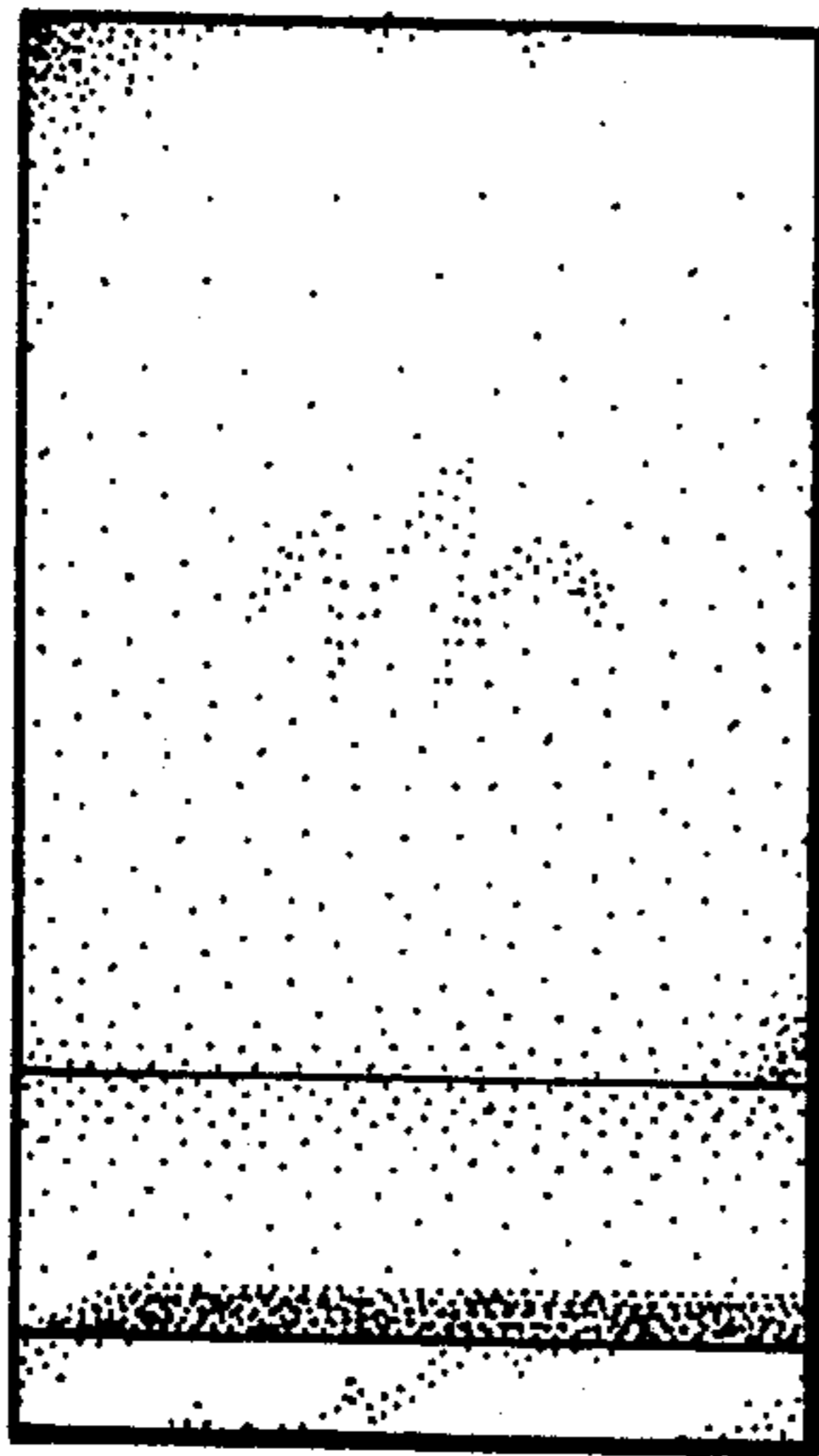


FIG. 4

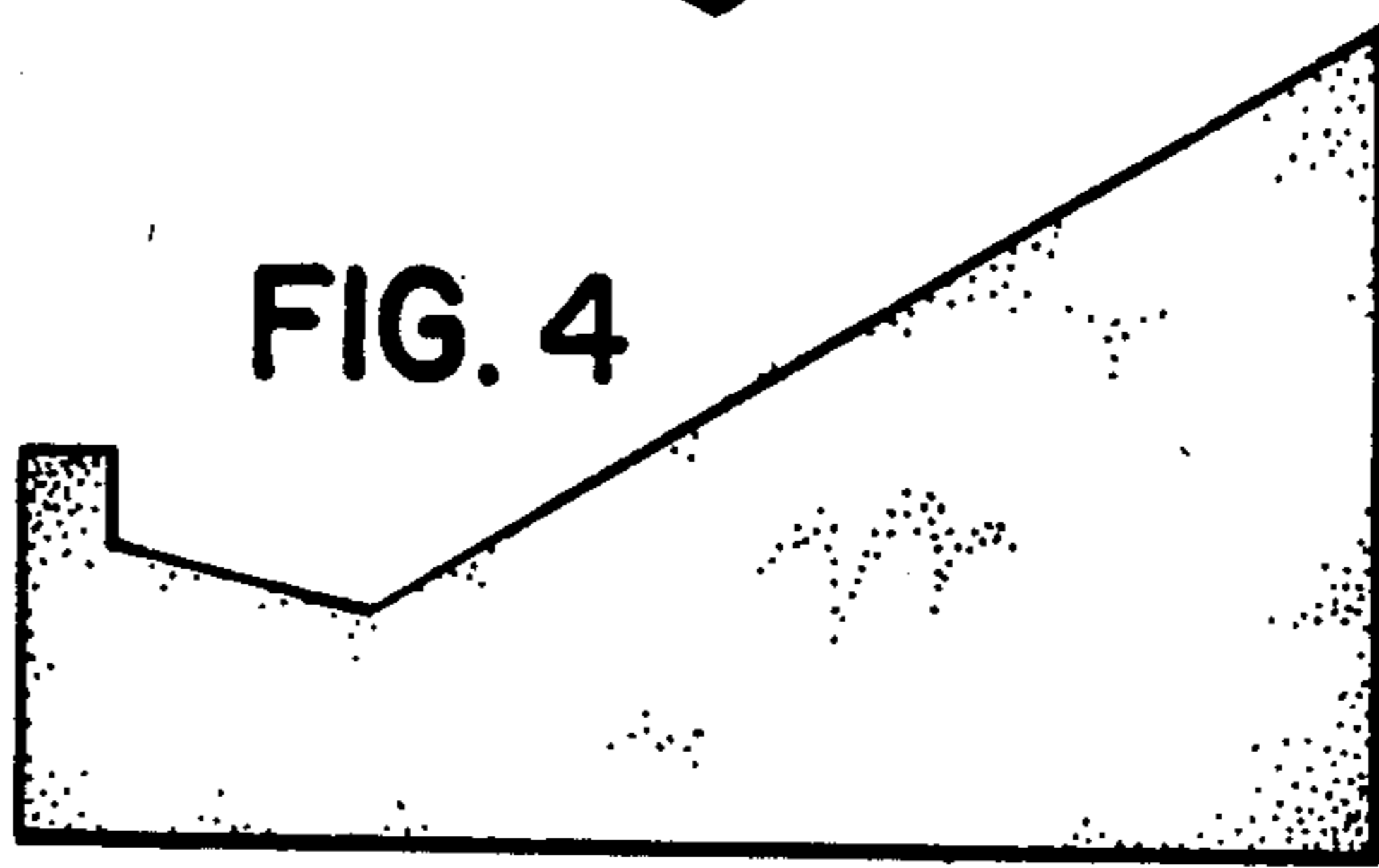


FIG. 5

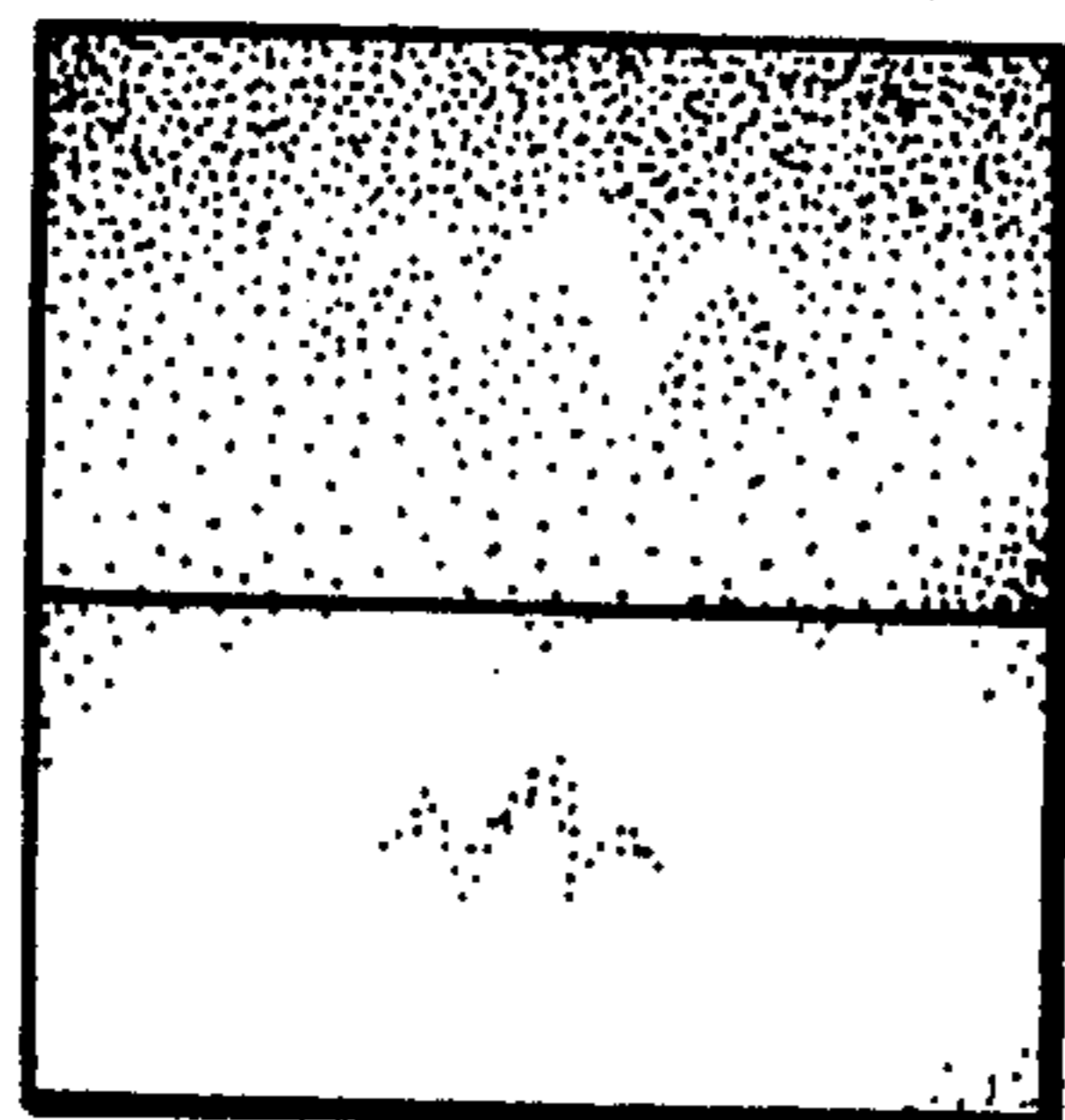
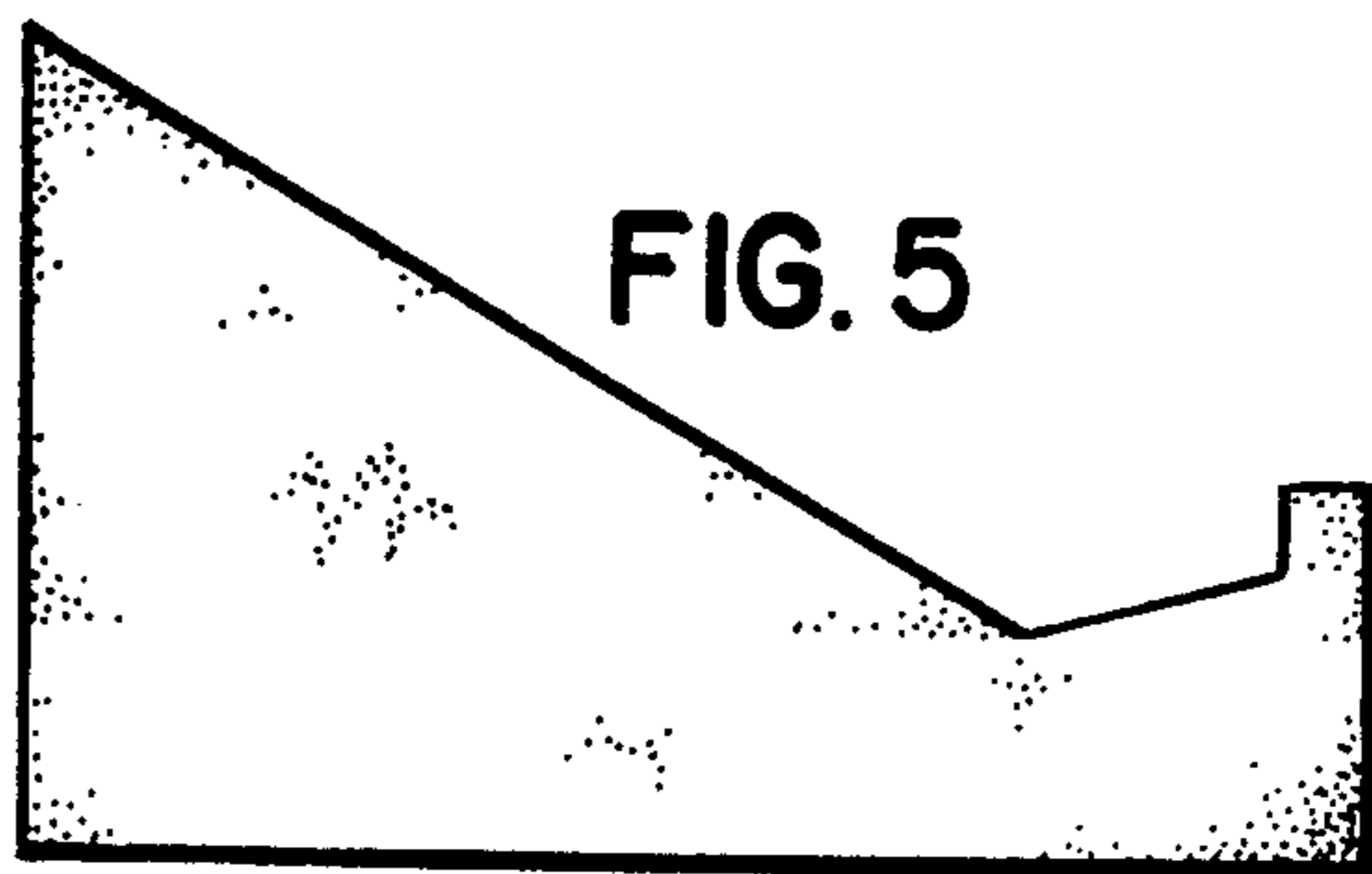


FIG. 6

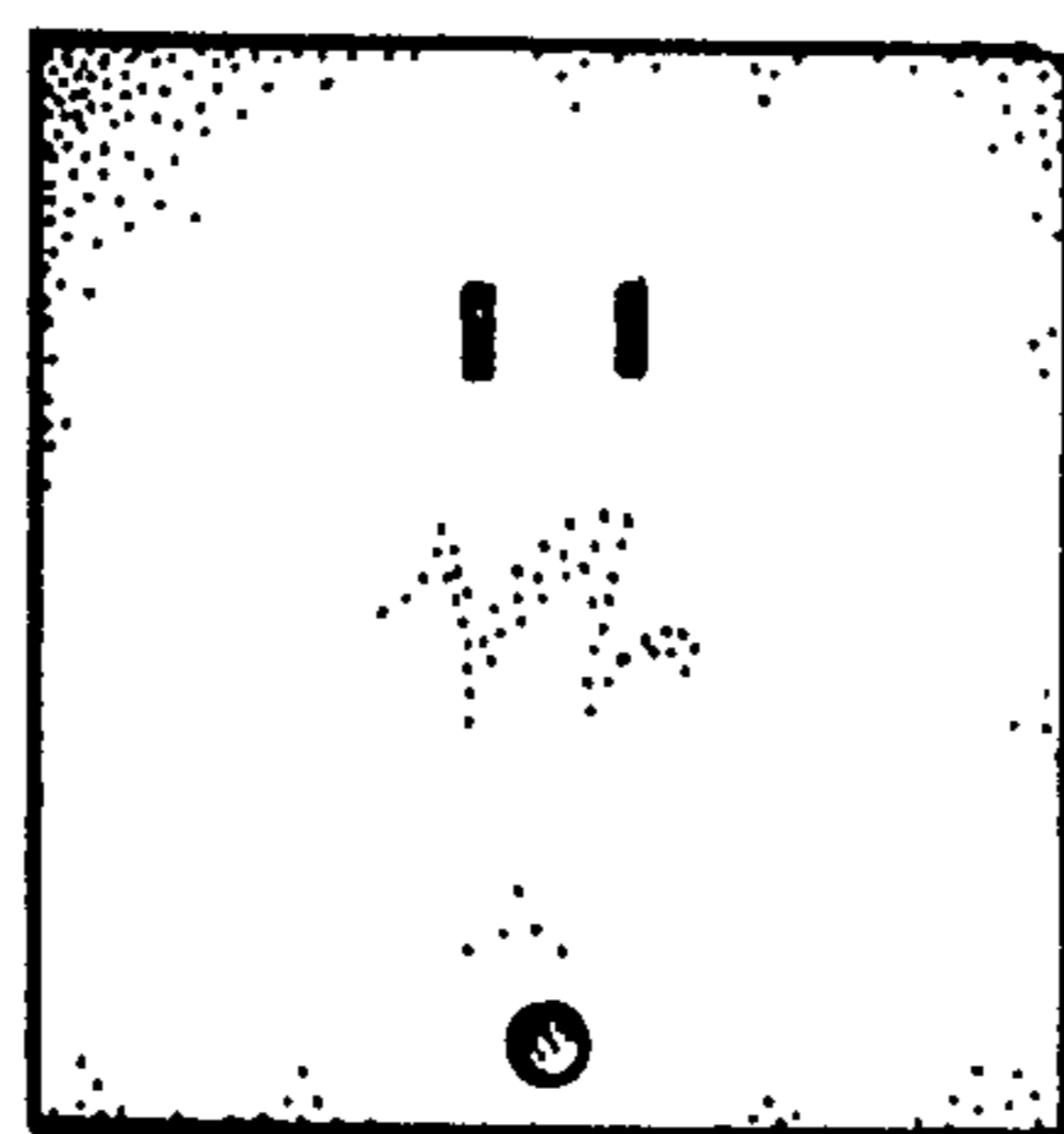


FIG. 7