

[54] **CHAIR**

[75] Inventor: **Victor J. Cook, Jr., New Orleans, La.**

[73] Assignee: **Sud Model Corporation**

[\*\*] Term: **14 Years**

[21] Appl. No.: **665,730**

[22] Filed: **Mar. 10, 1976**

[51] Int. Cl. .... **D6—01**  
[52] U.S. Cl. .... **D6/69**  
[58] Field of Search ..... **D6/37, 39, 47, 67, 68, D6/69, 70, 71, 72, 73, 74, 78**

[56] **References Cited**  
**U.S. PATENT DOCUMENTS**

D. 208,699 9/1967 Shoemaker ..... **D6/73**

**OTHER PUBLICATIONS**

"Patio Sales" Cat. Rec'd. 10-11-1960, p. 42, chair item "d".

"Telescope", Summer Furniture 1957, © 1956, p. 14, chair No. 835X.

"Gold Medal" Cat., Rec'd. 12-4-1942, p. 19, yacht chair No. 239Y.

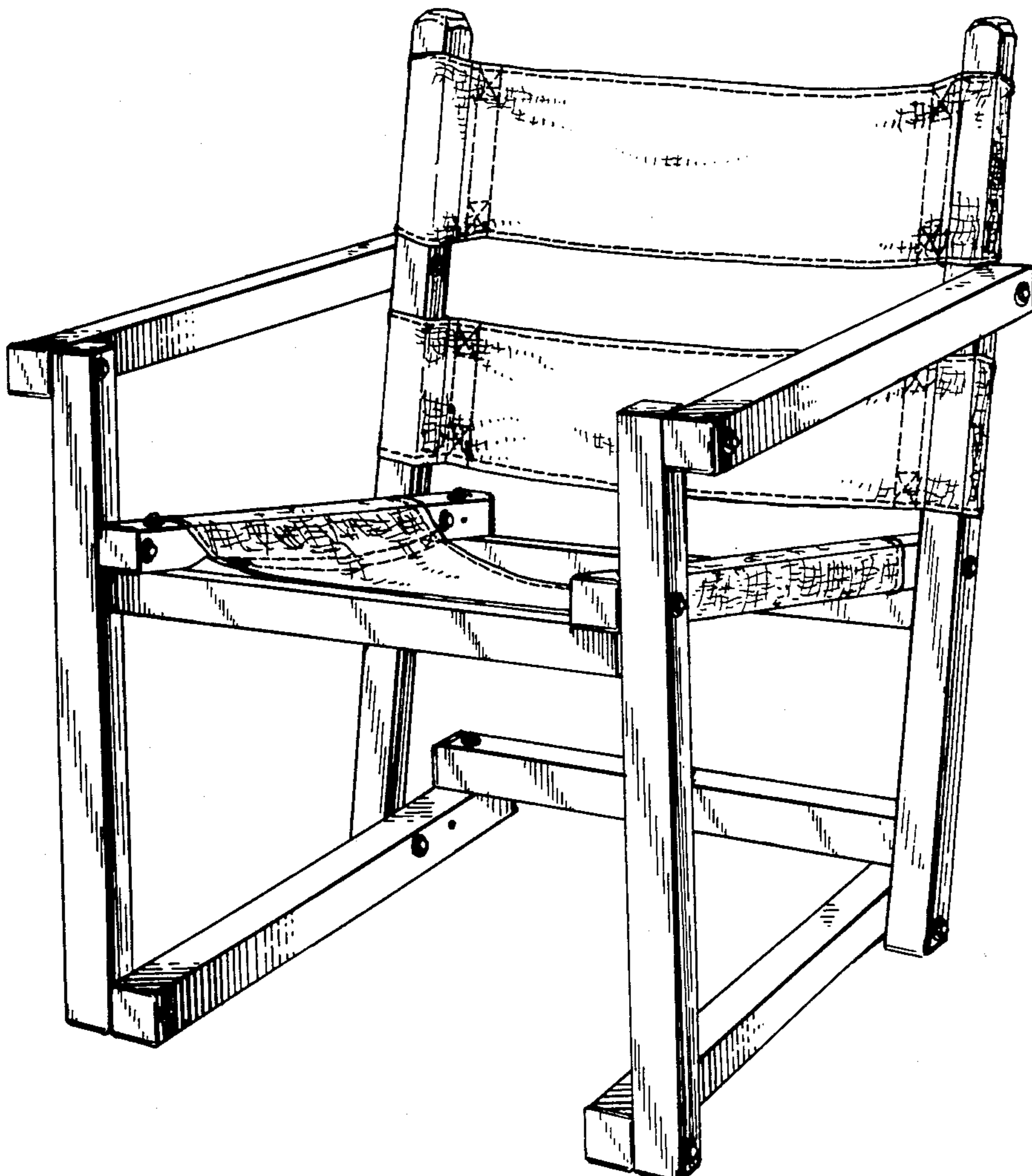
*Primary Examiner*—Bruce W. Dunkins  
*Attorney, Agent, or Firm*—C. Emmett Pugh

[57] **CLAIM**

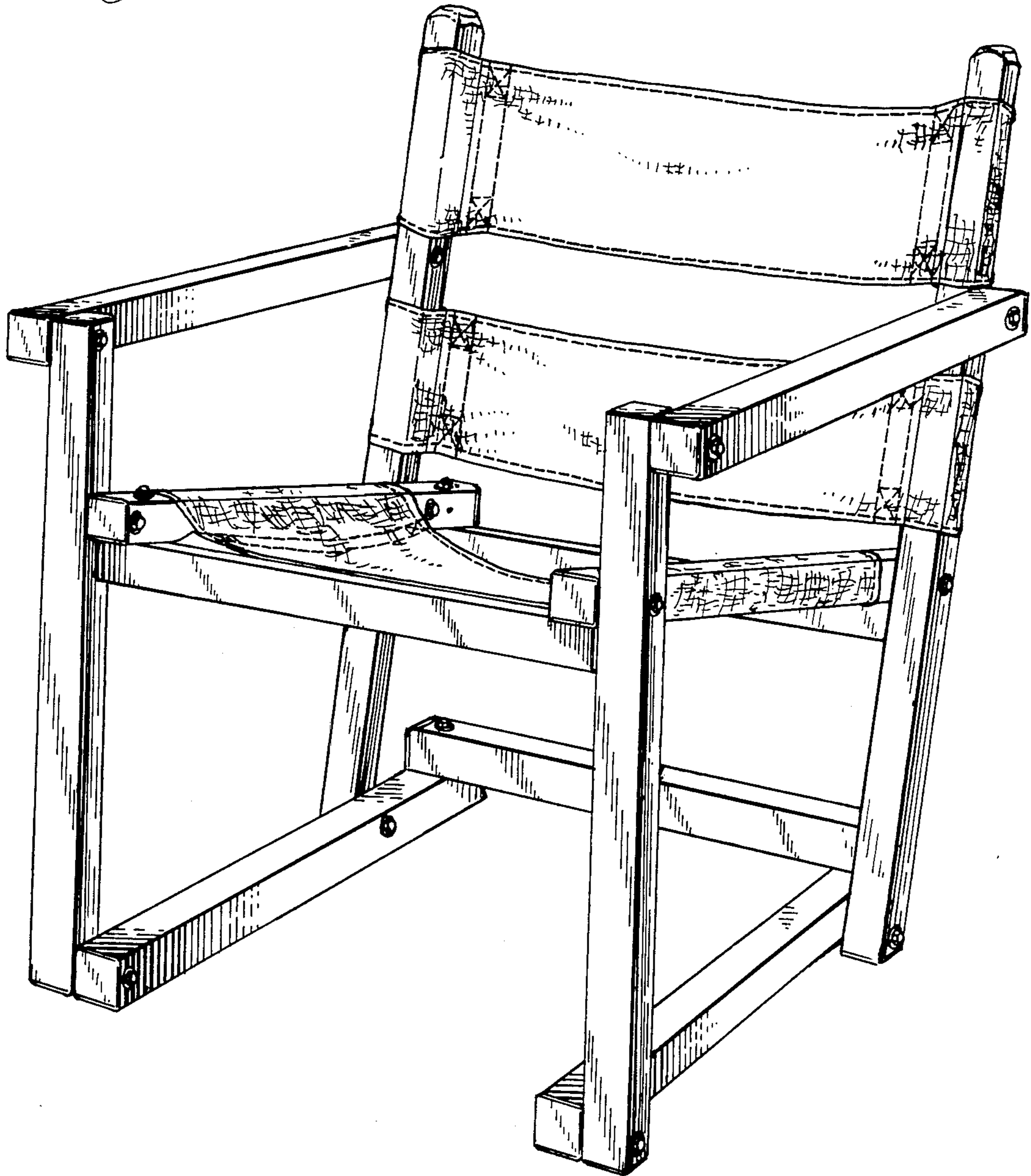
The ornamental design for a chair, as shown and described.

**DESCRIPTION**

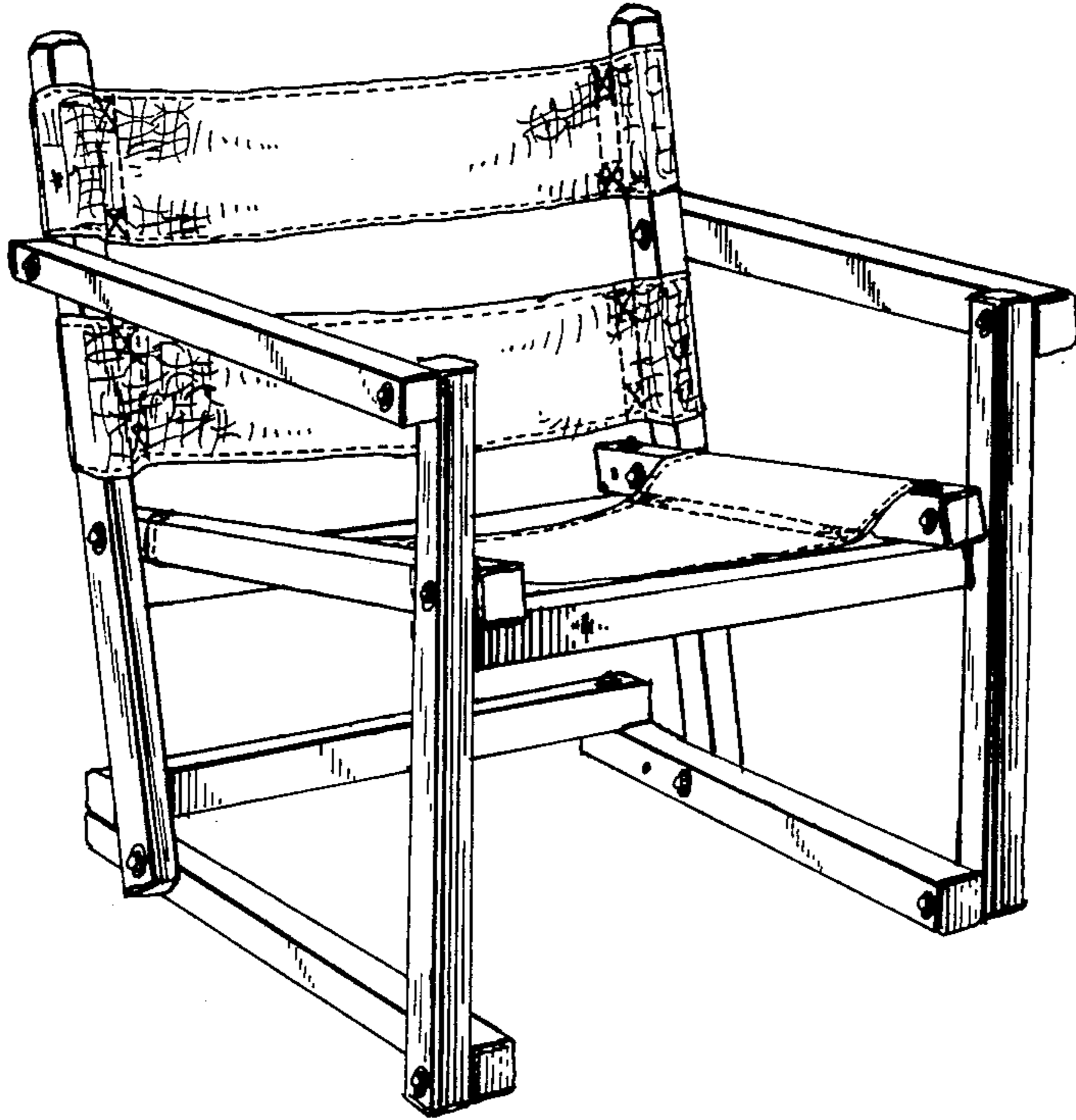
FIG. 1 is a front perspective view taken from the right side of a chair showing my design;  
FIG. 2 is a front perspective view on a reduced scale and taken from the left side;  
FIG. 3 is a rear perspective view thereof;  
FIG. 4 is another front perspective view of the chair;  
FIG. 5 is a rear perspective view;  
FIG. 6 is a top perspective view; and  
FIG. 7 is a bottom perspective view thereof.



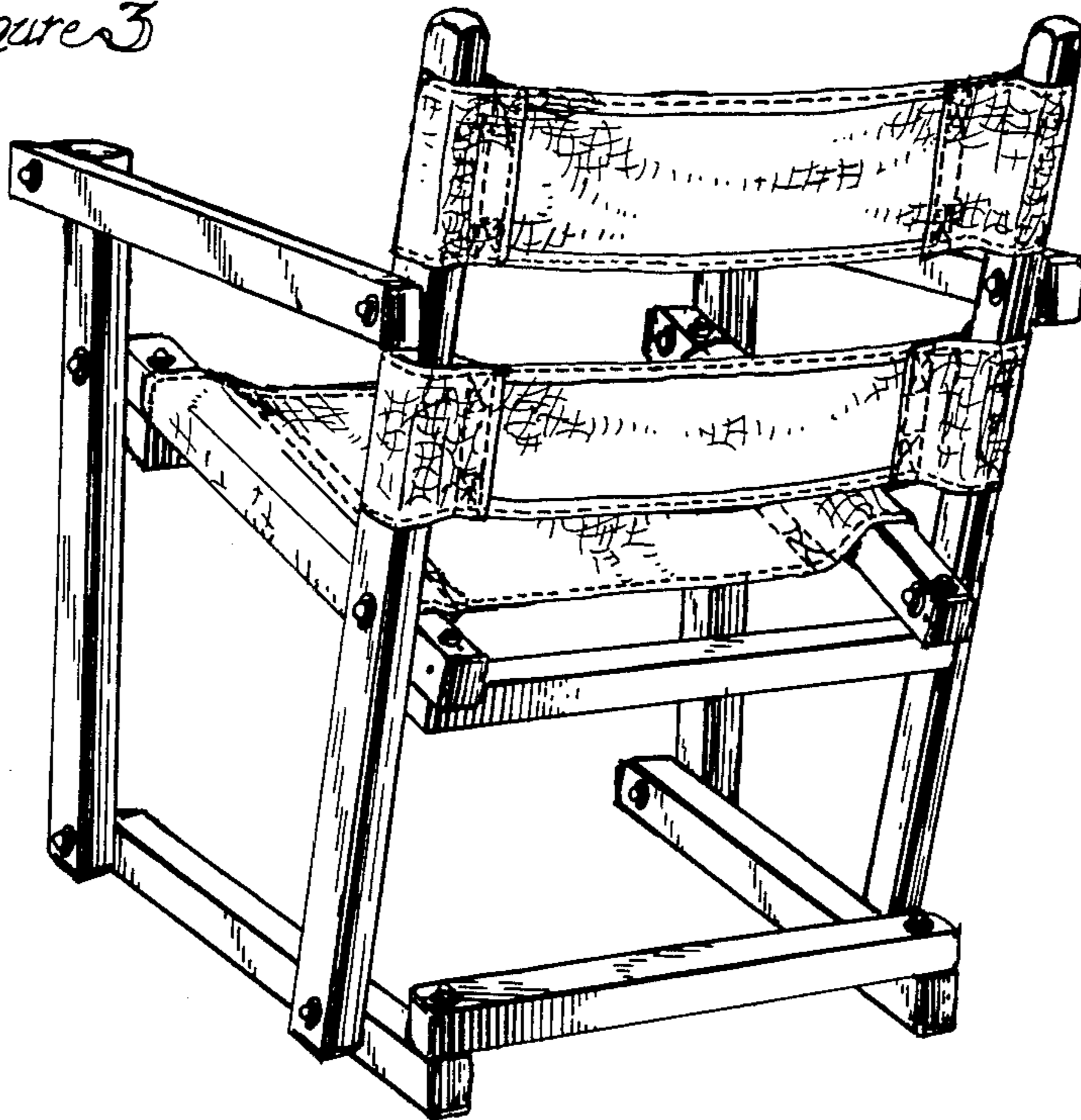
*Figure 1*



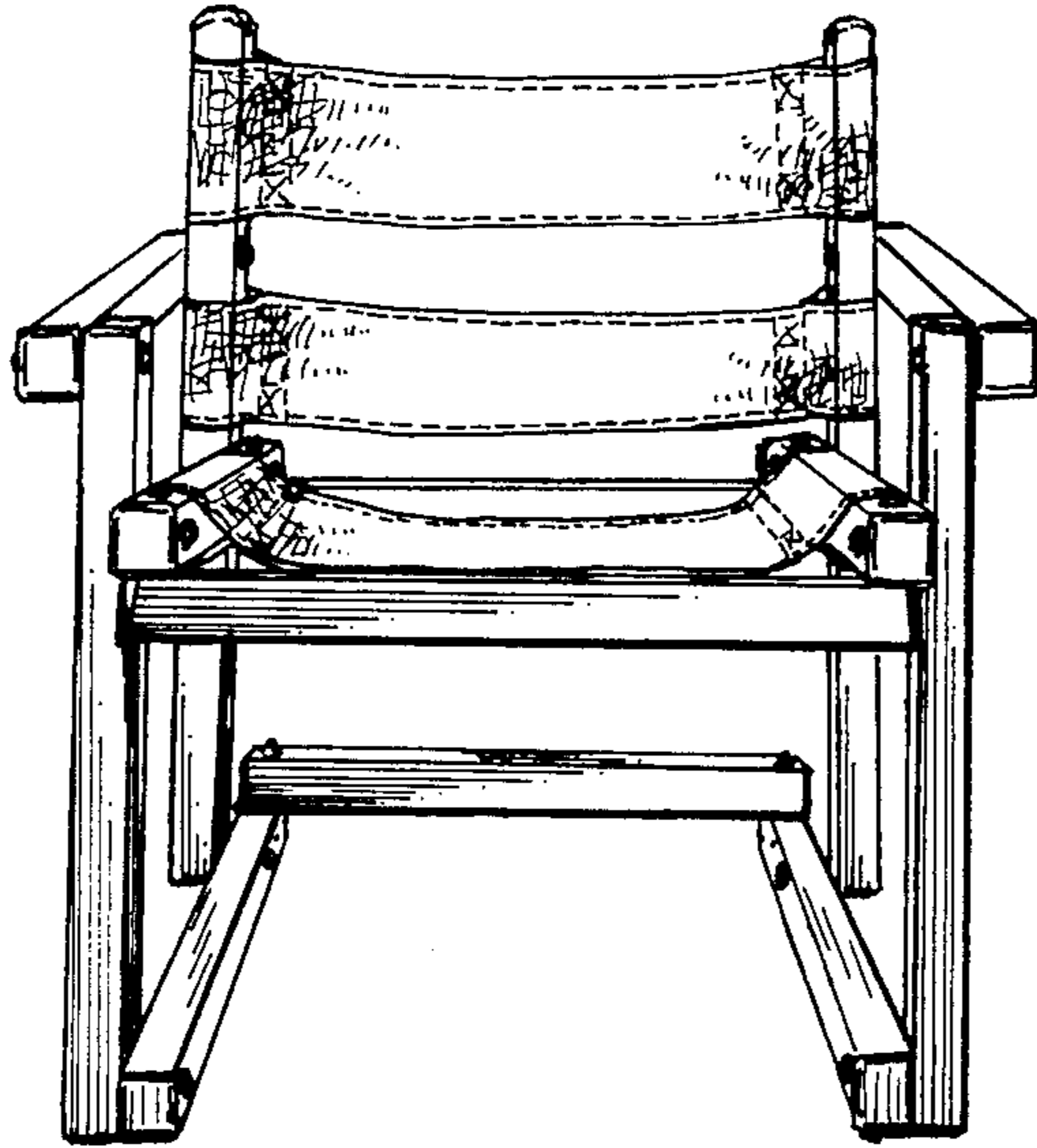
*Figure 2*



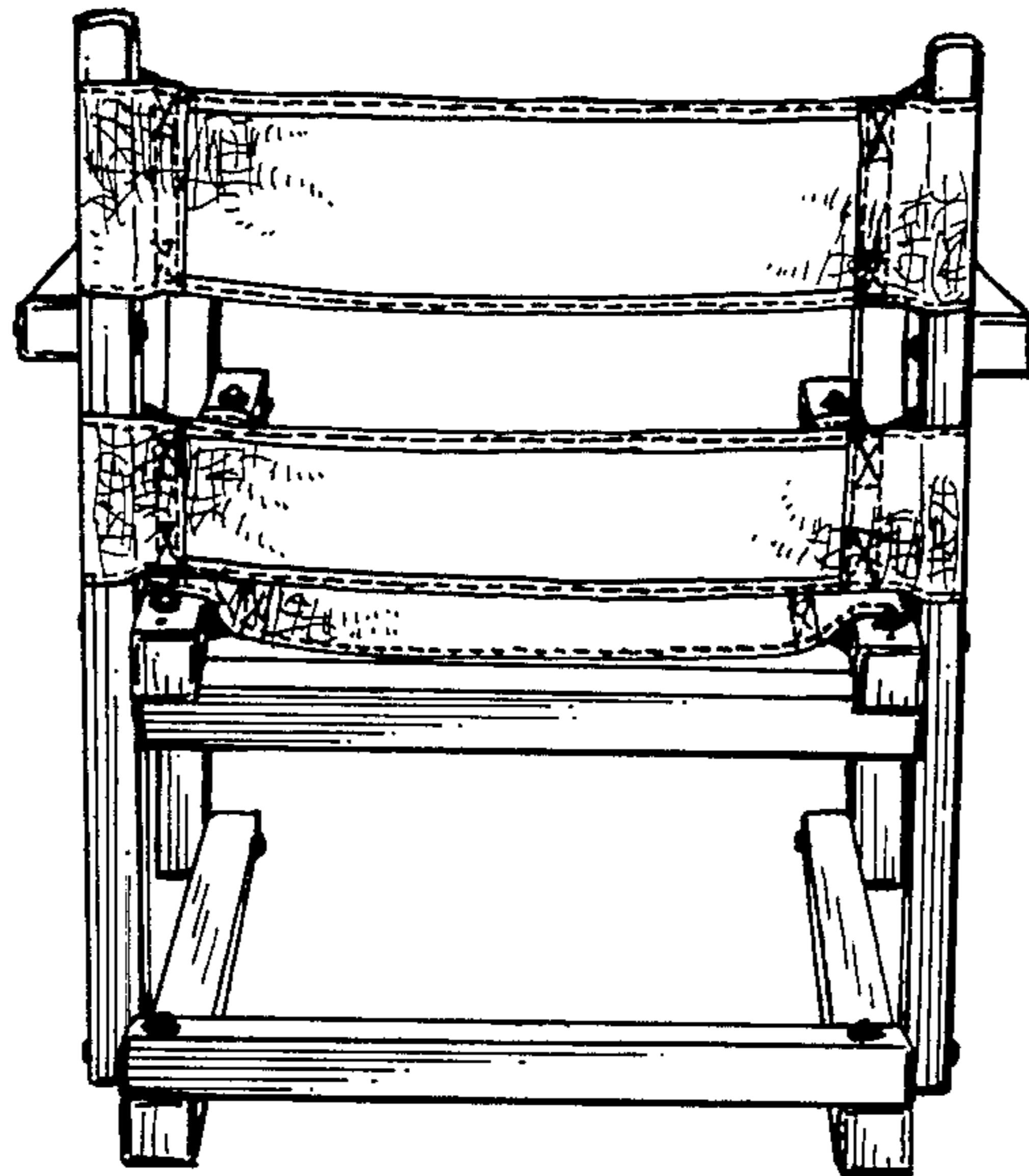
*Figure 3*



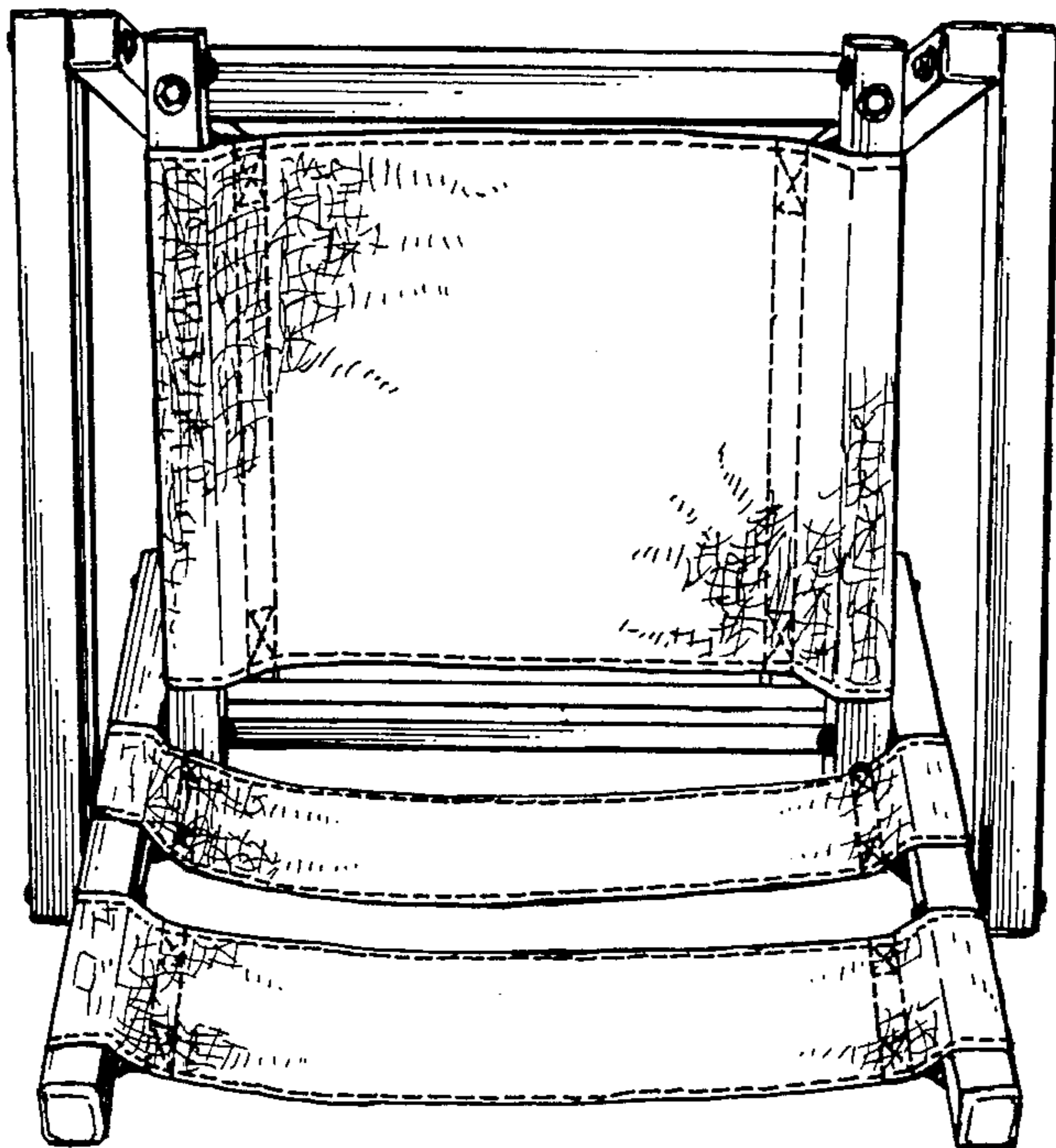
*Figure 4*



*Figure 5*



*Figure 6*



*Figure 7*

