

- [54] ELECTRONIC DIP DISPENSER
- [75] Inventor: Lewis A. Latanzi, Bethel, Conn.
- [73] Assignee: Contact Systems, Inc., Danbury, Conn.
- [**] Term: 14 Years
- [21] Appl. No.: 610,552
- [22] Filed: Sept. 5, 1975
- [51] Int. Cl. D6-04
- [52] U.S. Cl. D6/24
- [58] Field of Search D6/181-189,
D6/20-24, 85; D26/5 C

- [56] **References Cited**
U.S. PATENT DOCUMENTS
D. 109,389 4/1938 Beyrle D6/23
D. 184,672 3/1959 Fitzgerald D6/23
D. 195,869 8/1963 Silverstein et al. D6/23 X

- D. 198,421 6/1964 Tone D6/189
- D. 236,922 9/1975 Leath D6/24

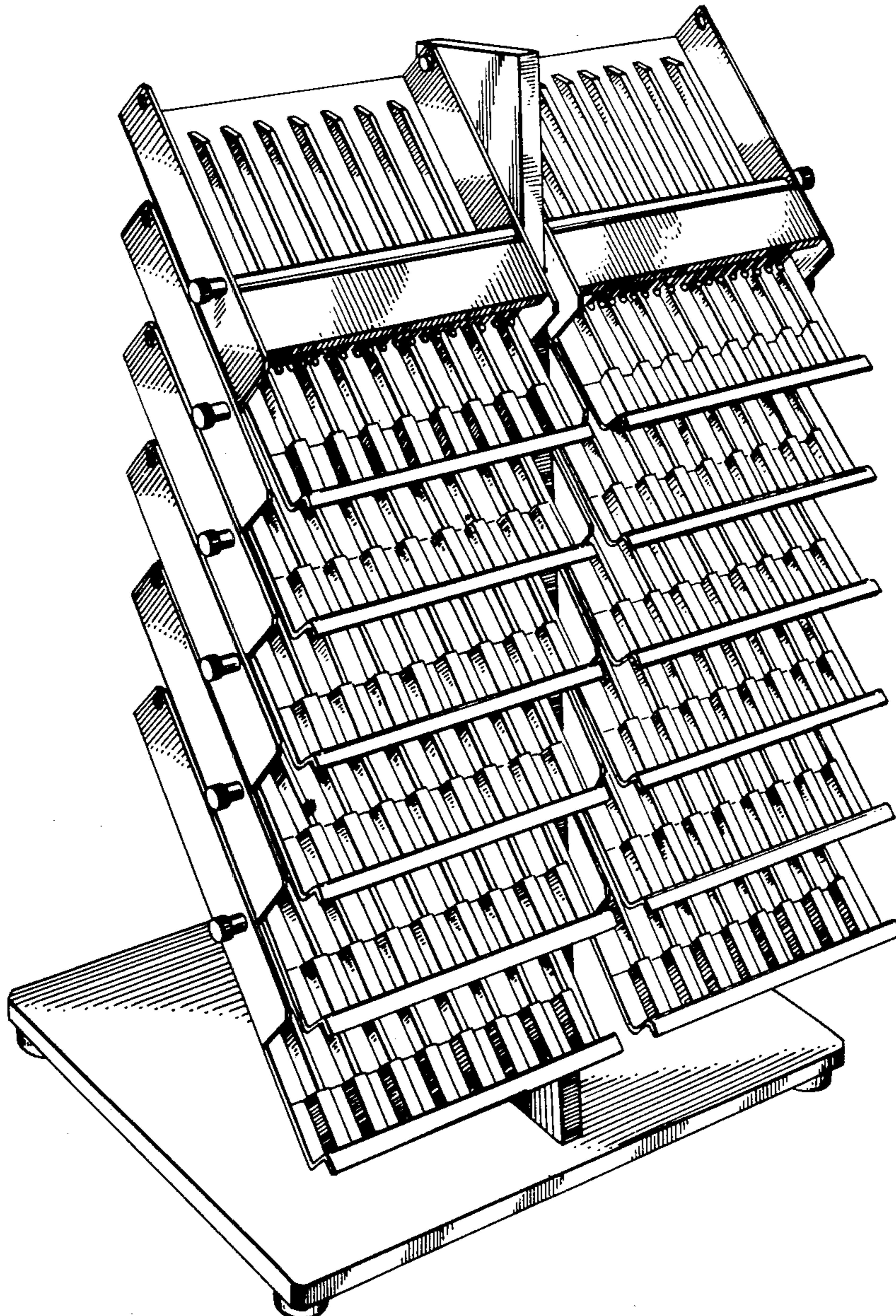
Primary Examiner—Bruce W. Dunkins
Attorney, Agent, or Firm—Robert H. Ware

[57] CLAIM

The ornamental design for an electronic dip dispenser substantially as shown and described.

DESCRIPTION

FIG. 1 is a perspective view of an electronic dip dispenser embodying my new design; FIG. 2 is a front elevational view of the electronic dip dispenser of FIG. 1; FIG. 3 is a left side elevational view of the electronic dip dispenser of FIG. 1, the right side being a mirror image thereof; FIG. 4 is a top plan view; FIG. 5 is a rear elevational view; and FIG. 6 is a bottom plan view thereof.



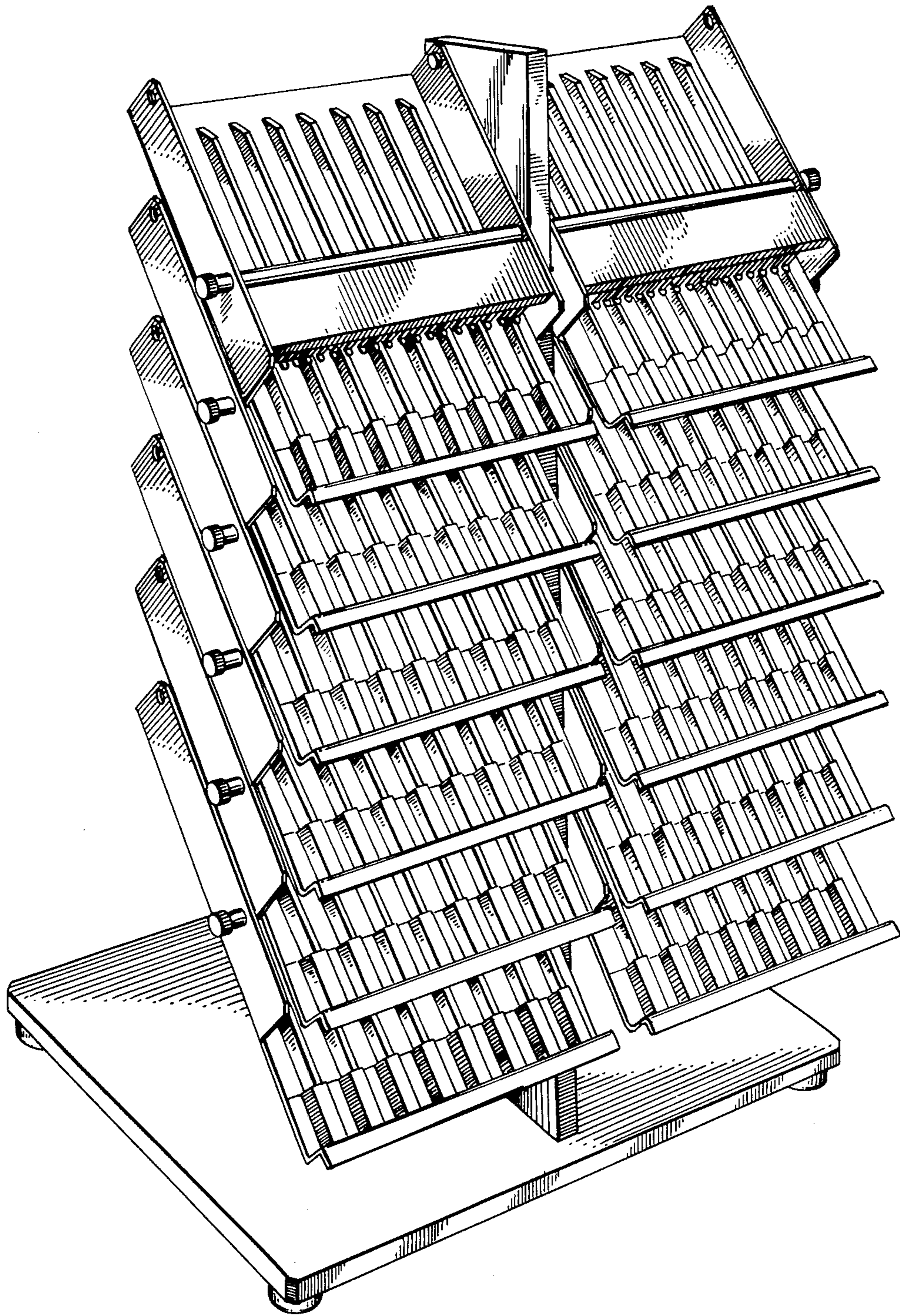


FIG. 1

FIG. 2

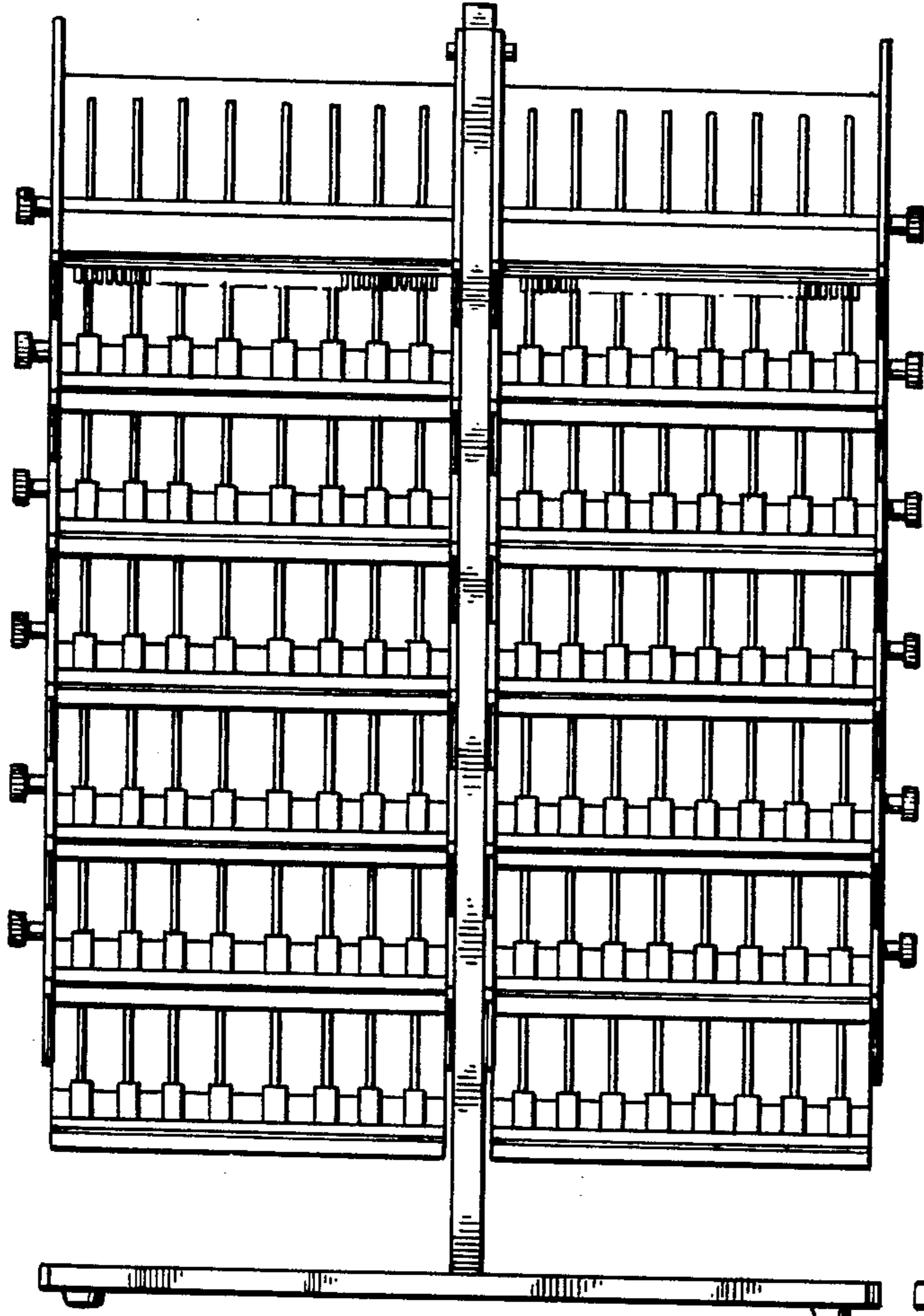


FIG. 3

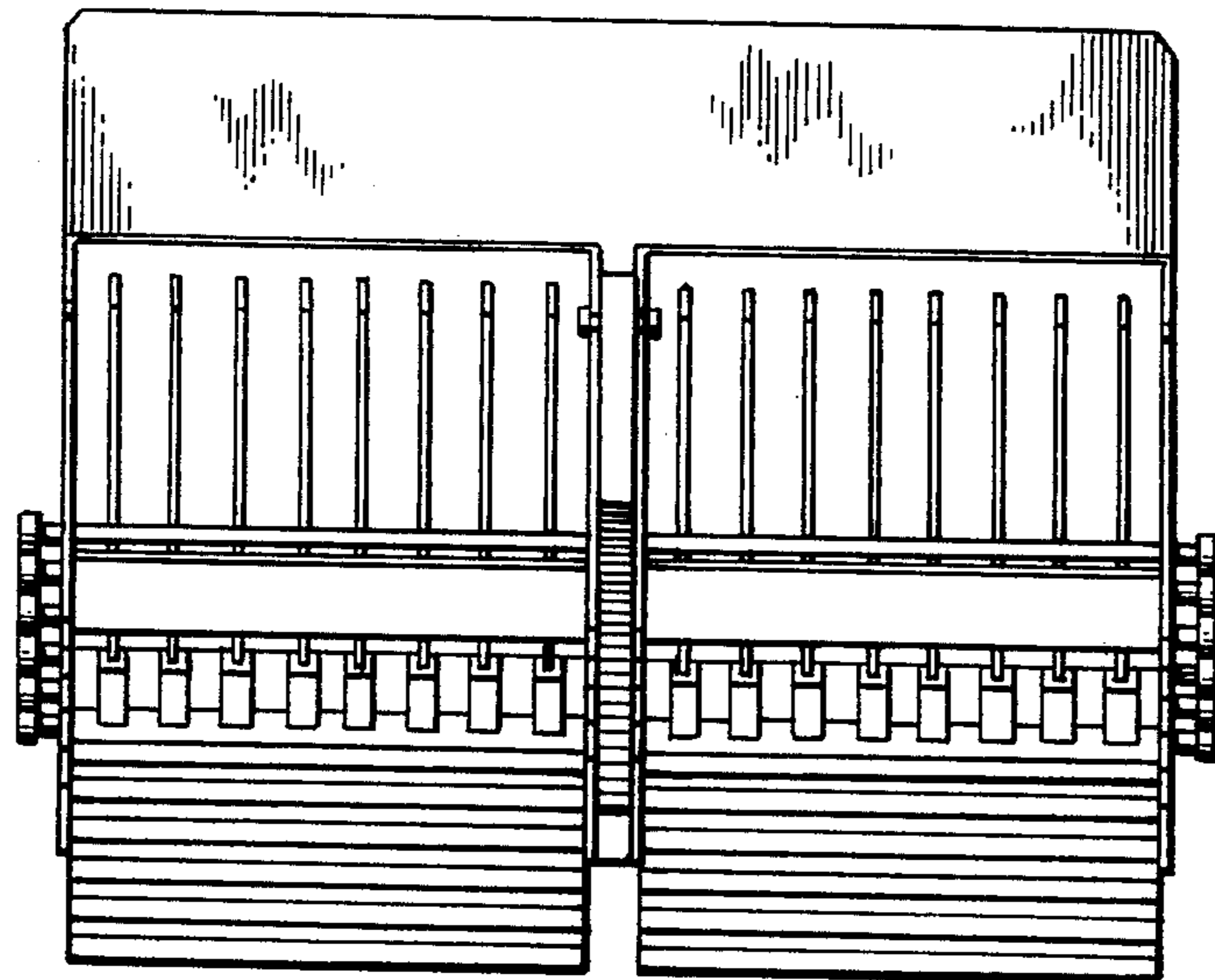
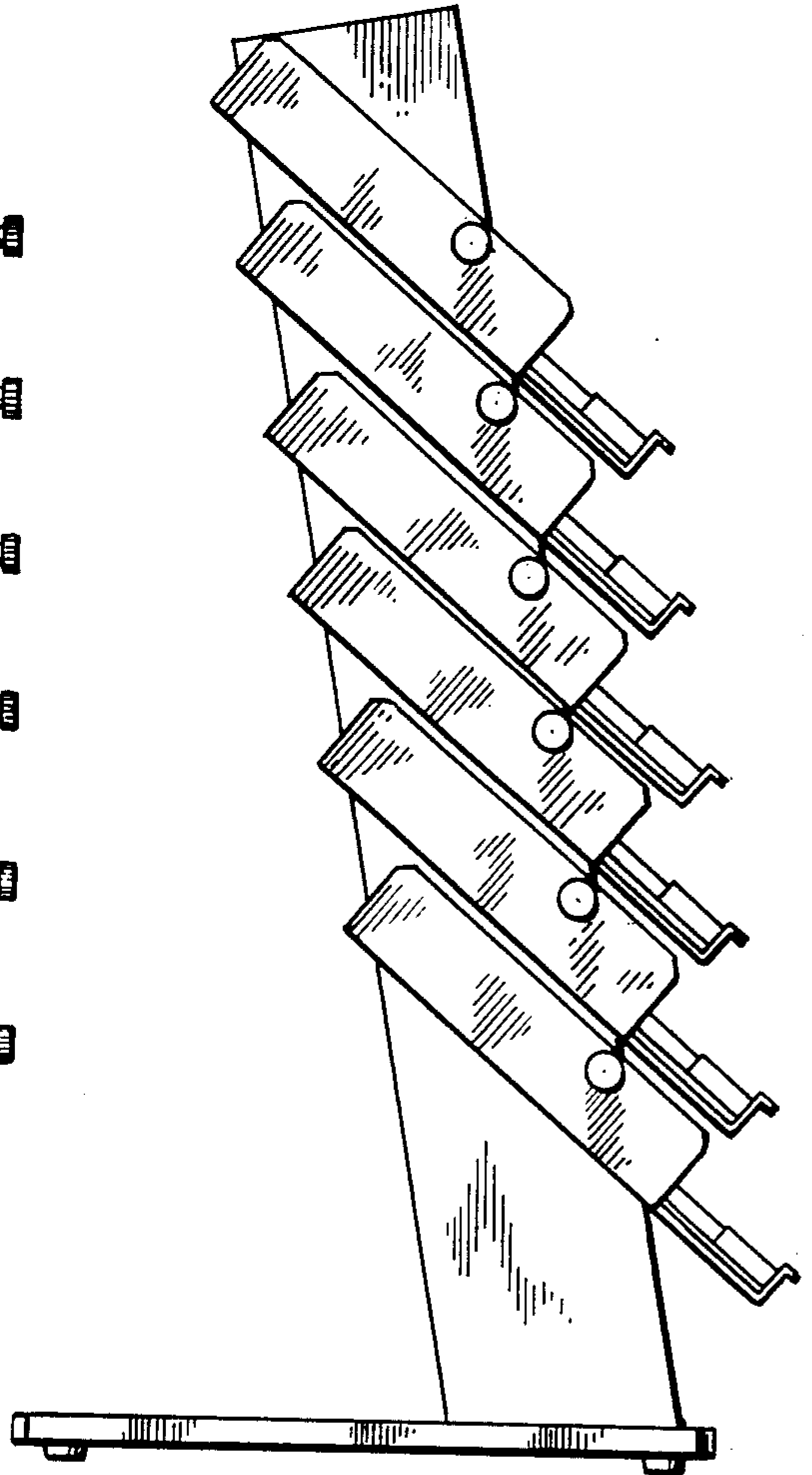


FIG. 4

FIG. 5

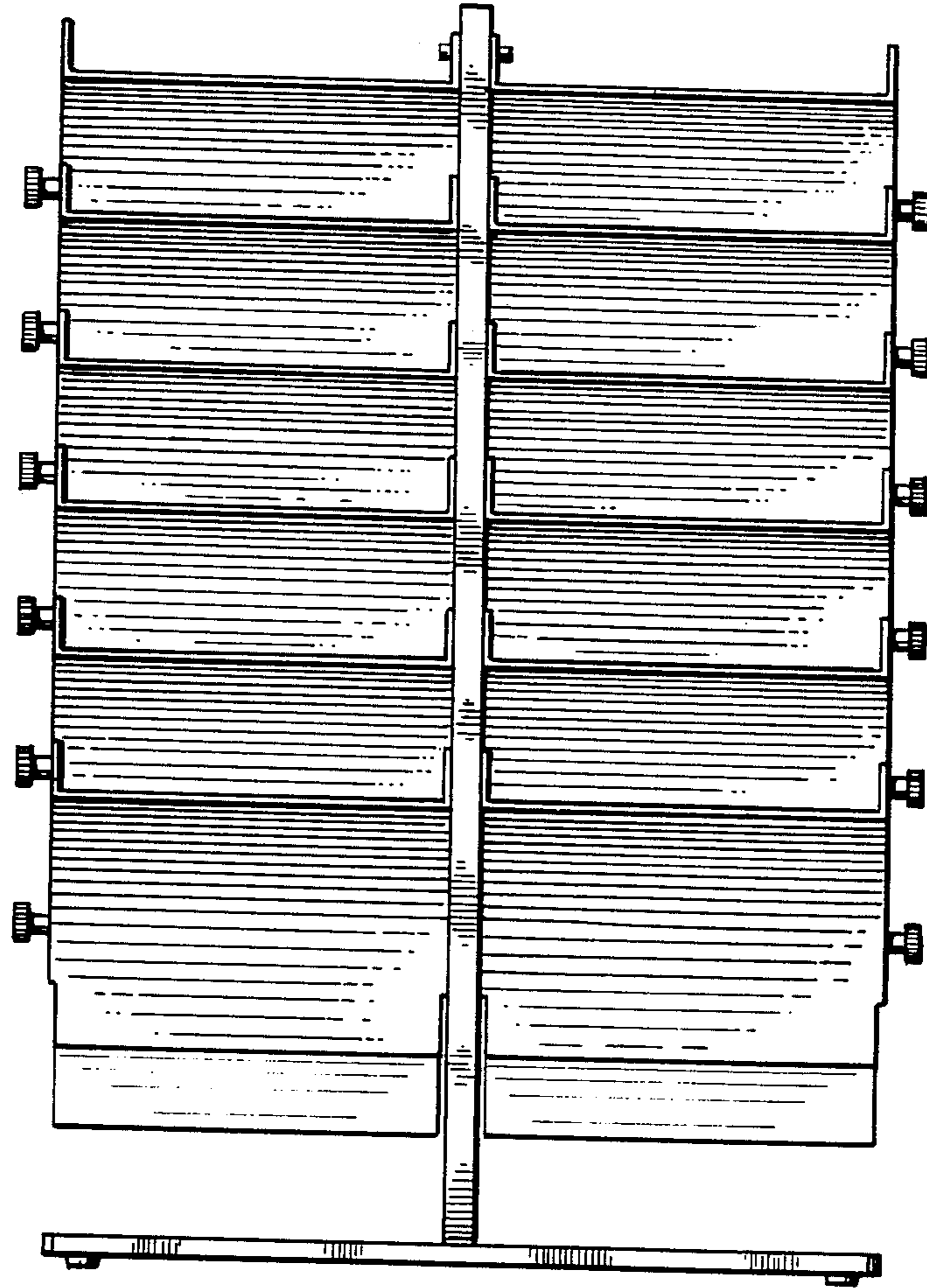


FIG. 6

