

United States Patent [19]

Cournoyer et al.

[11] **Des. 245,727**

[45] **** Sept. 6, 1977**

[54] **MAGNETIC DISK HOLDER**

[75] **Inventors:** Bernard T. Cournoyer, Holden; David M. Wright; Jerome M. O'Toole, both of Shrewsbury, all of Mass.

[73] **Assignee:** Wright Line Inc., Worcester, Mass.

[**] **Term:** 14 Years

[21] **Appl. No.:** 588,682

[22] **Filed:** June 20, 1975

[51] **Int. Cl.** D19-02

[52] **U.S. Cl.** D87/1 D

[58] **Field of Search** D87/1 R, 1 D; D19/75-76, 86, 90-91; D6/106, 85, 184; 211/40-42; D26/5 C; 206/387, 73

[56]

References Cited

U.S. PATENT DOCUMENTS

3,635,350	1/1972	Wolf	211/40
D. 204,217	3/1966	Sims	D19/76
D. 223,882	6/1972	Christensen	D87/1 R
D. 229,980	1/1974	Kimura et al.	D19/76
D. 230,855	3/1974	Wright et al.	D87/1 R

Primary Examiner—Joel Stearman
Assistant Examiner—George P. Word
Attorney, Agent, or Firm—Milton E. Gilbert

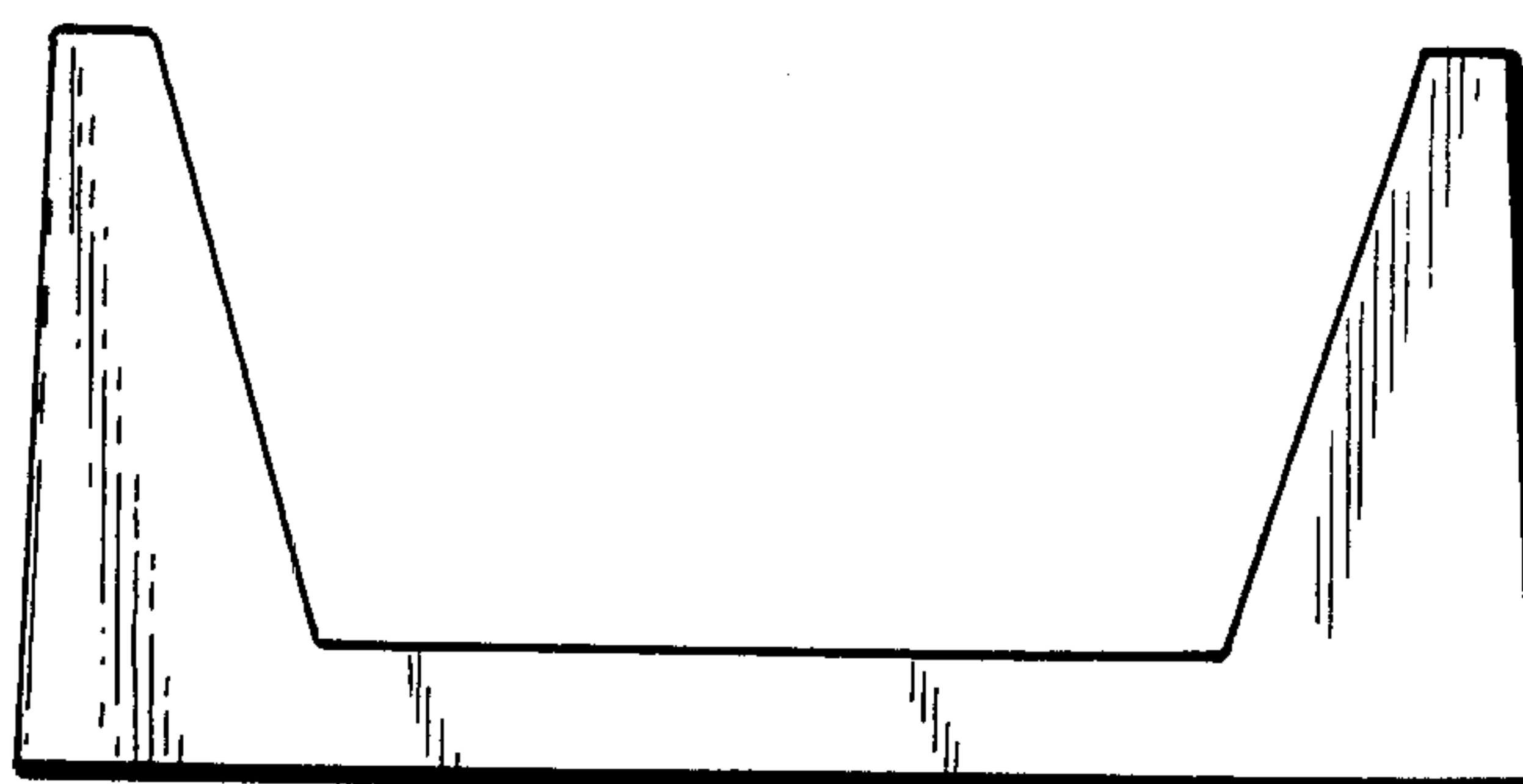
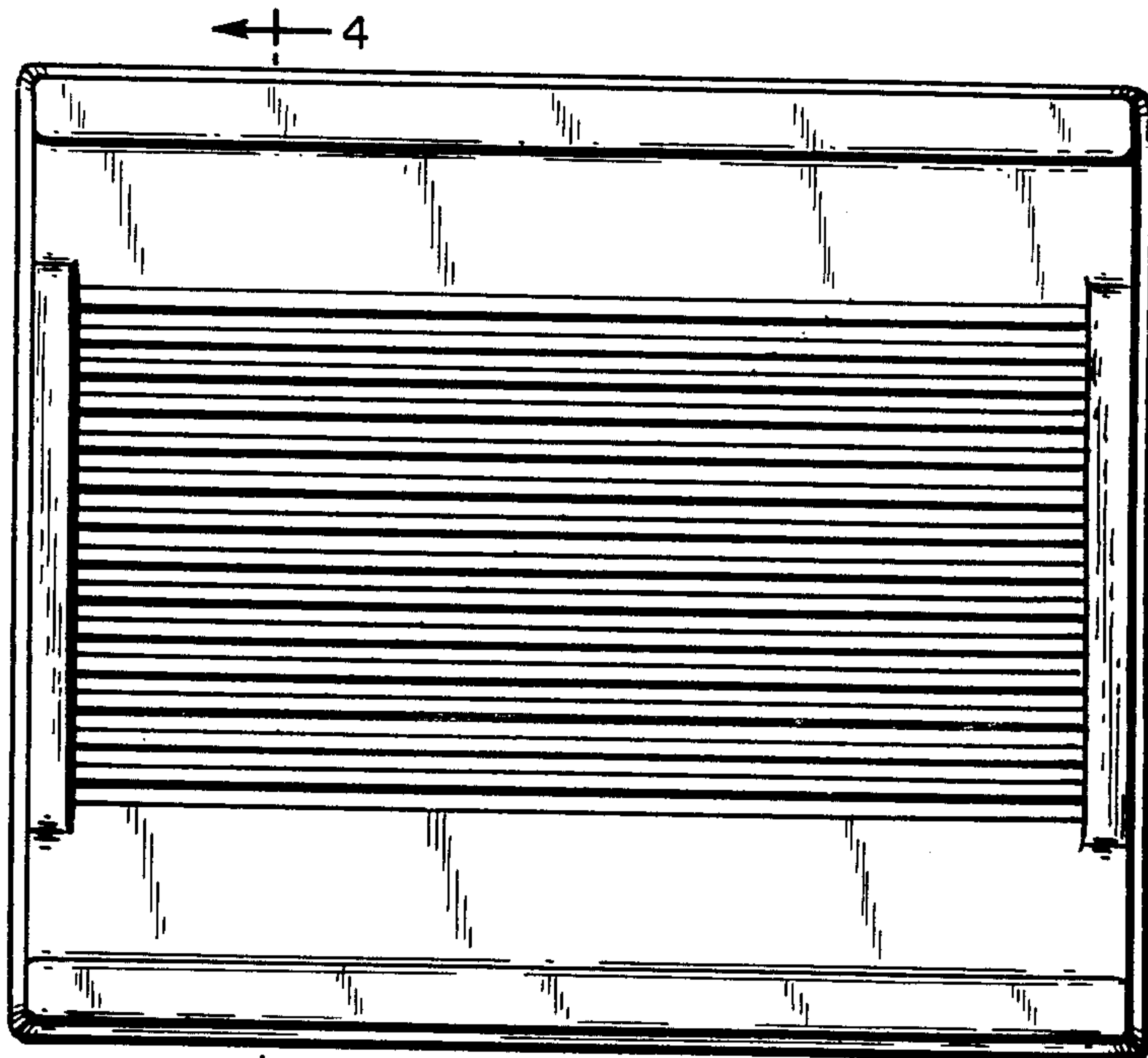
[57]

CLAIM

The ornamental design for a magnetic disk holder or similar article, as shown and described.

DESCRIPTION

FIG. 1 is a top plan view of a magnetic disk holder or similar article showing our new design; FIG. 2 is a front elevational view; FIG. 3 is a side elevational view; and FIG. 4 is a cross-sectional view taken along line 4—4 in FIG. 1.



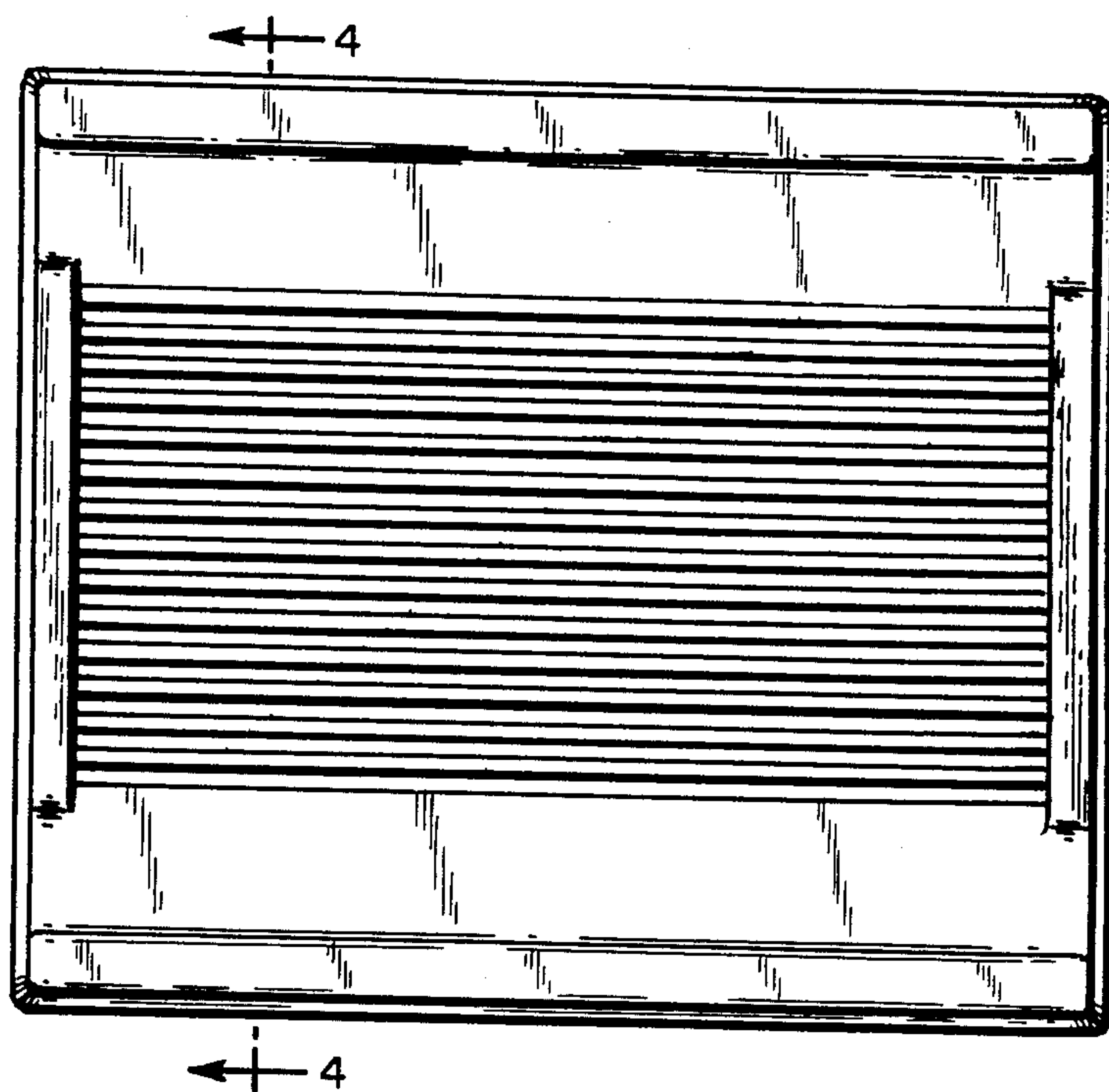


FIG. 1

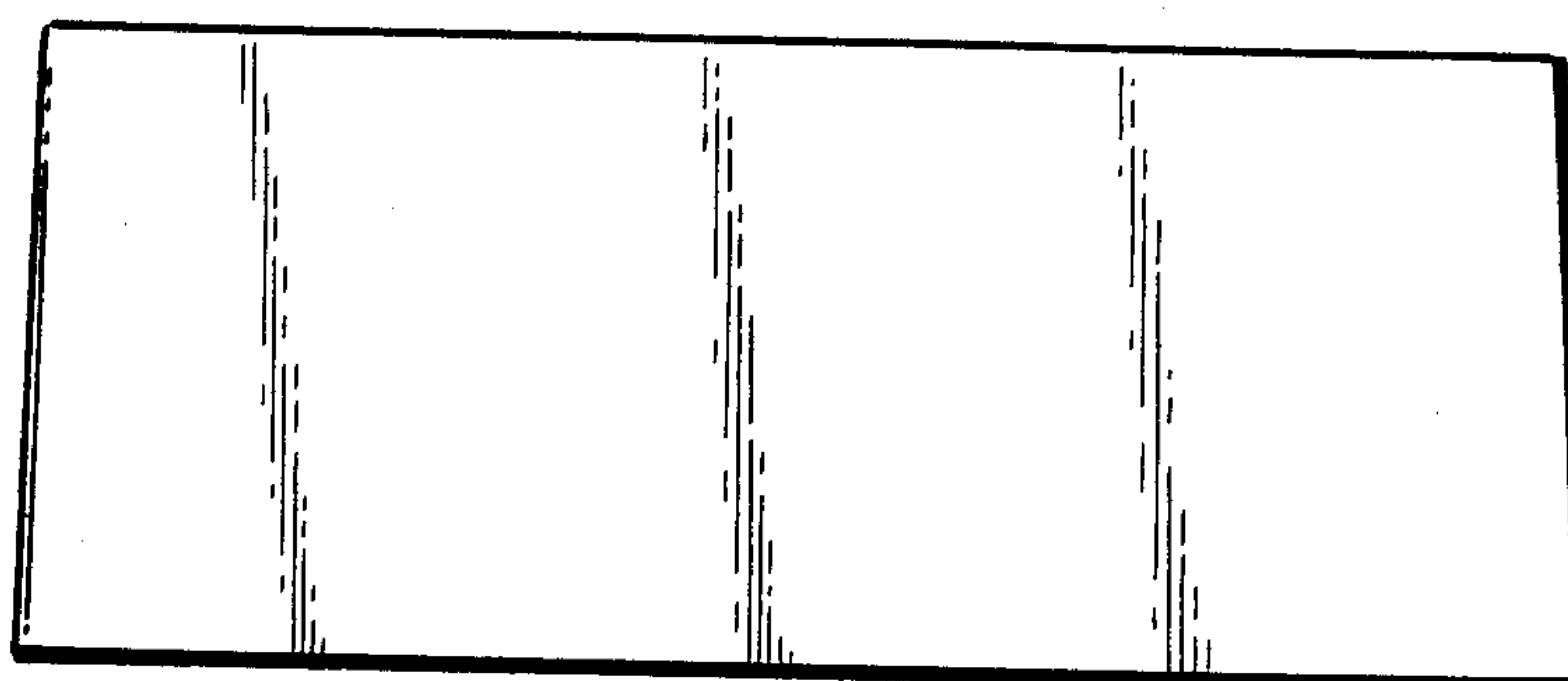


FIG. 2

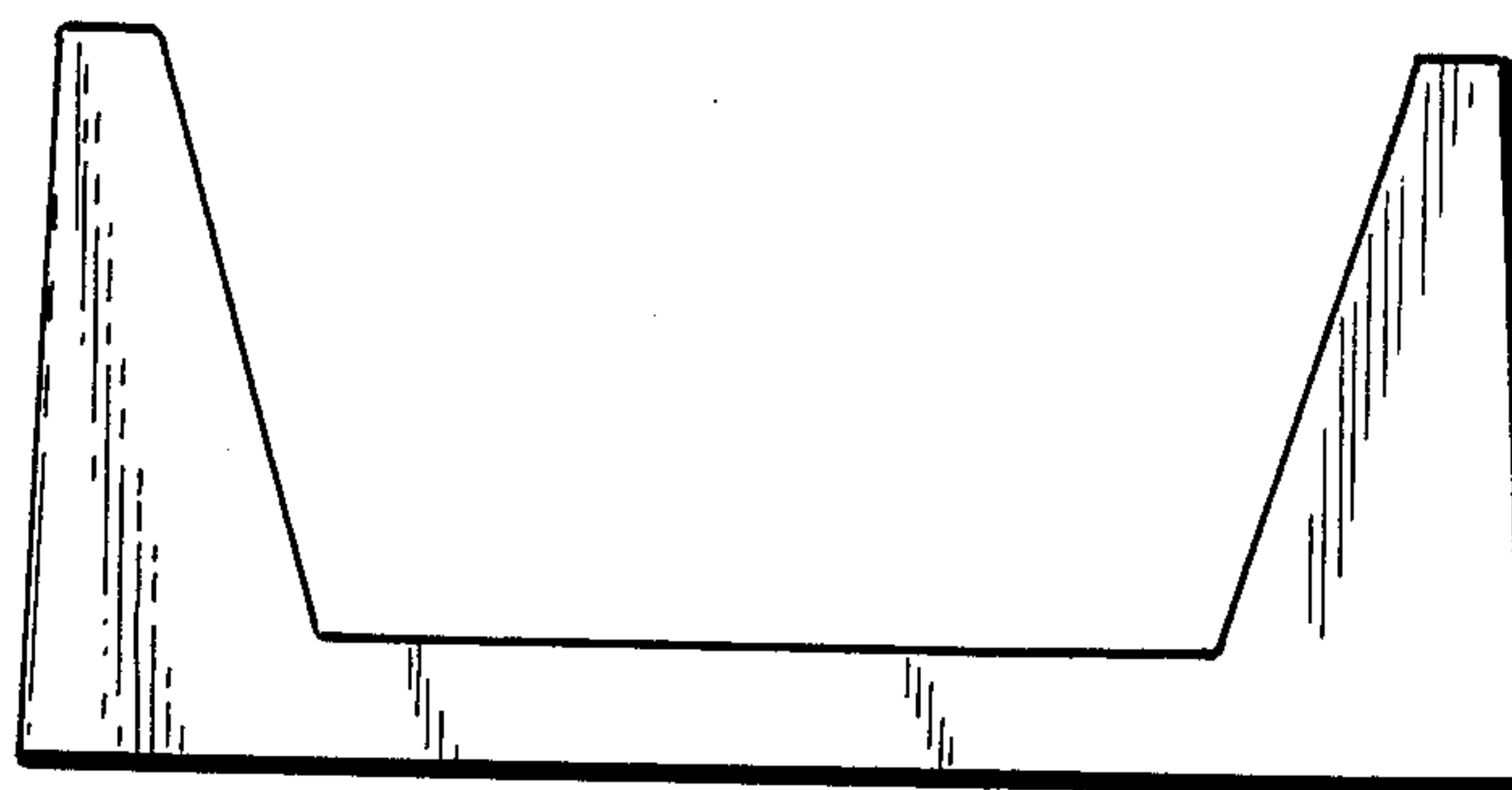


FIG. 3

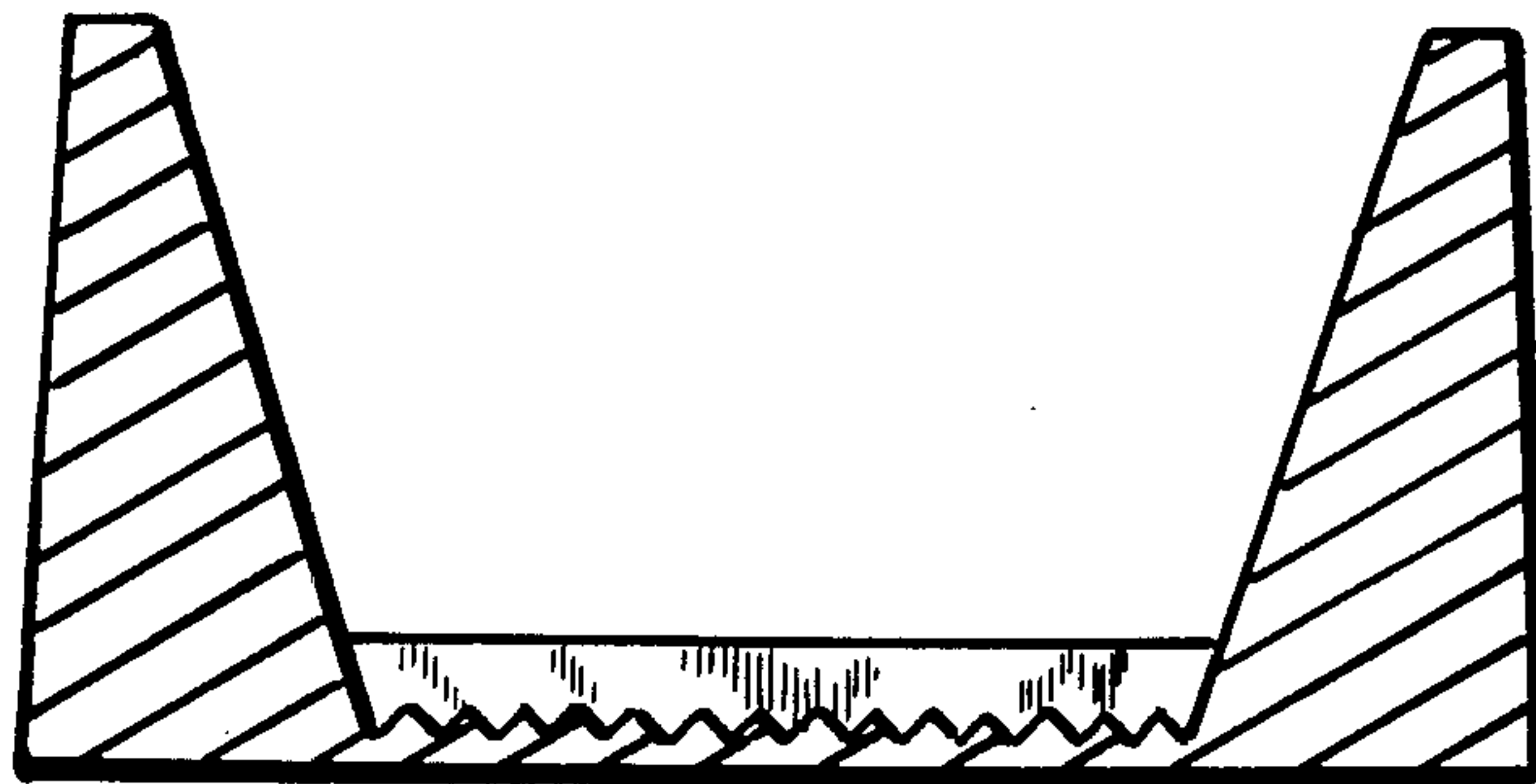


FIG. 4