

[54] **GOLF CLUB HEAD**

[76] **Inventor:** Bernard C. Koch, 2107 Brandywood Drive, Wilmington, Del. 19810

[**] **Term:** 14 Years

[21] **Appl. No.:** 666,964

[22] **Filed:** Mar. 15, 1976

[51] **Int. Cl.** D21—02
[52] **U.S. Cl.** D34/5 GH
[58] **Field of Search** D34/5 GH, 5 GC;
273/167, 168, 169, 170, 171, 172, 173, 174, 175,
163 R, 164

[56] **References Cited**

U.S. PATENT DOCUMENTS

3,206,206 9/1965 Santosuosso 273/167 G
D. 136,005 7/1943 Armstrong D34/5 GH

OTHER PUBLICATIONS

House Beautiful, Nov., 1972, p. 235, middle, putter.

Primary Examiner—Melvin B. Feifer

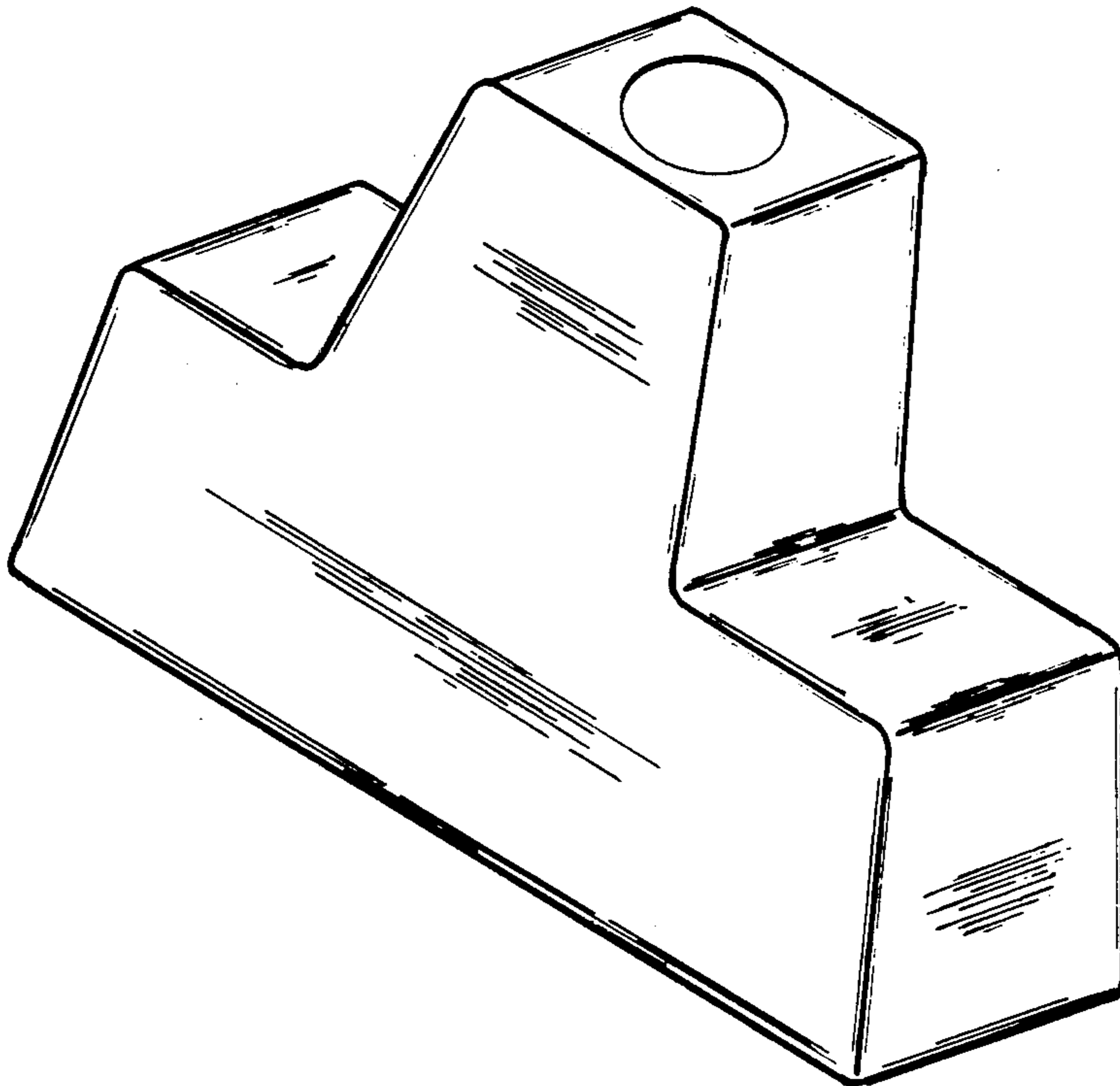
Attorney, Agent, or Firm—Hugh D. Jaeger

[57] **CLAIM**

The ornamental design for a golf club head, as shown.

DESCRIPTION

FIG. 1 is a perspective view of a golf club head showing my new design;
FIG. 2 is a top view of golf club head;
FIG. 3 is a side view of golf club head;
FIG. 4 is an end view of golf club head; and
FIG. 5 is a bottom view of golf club head.



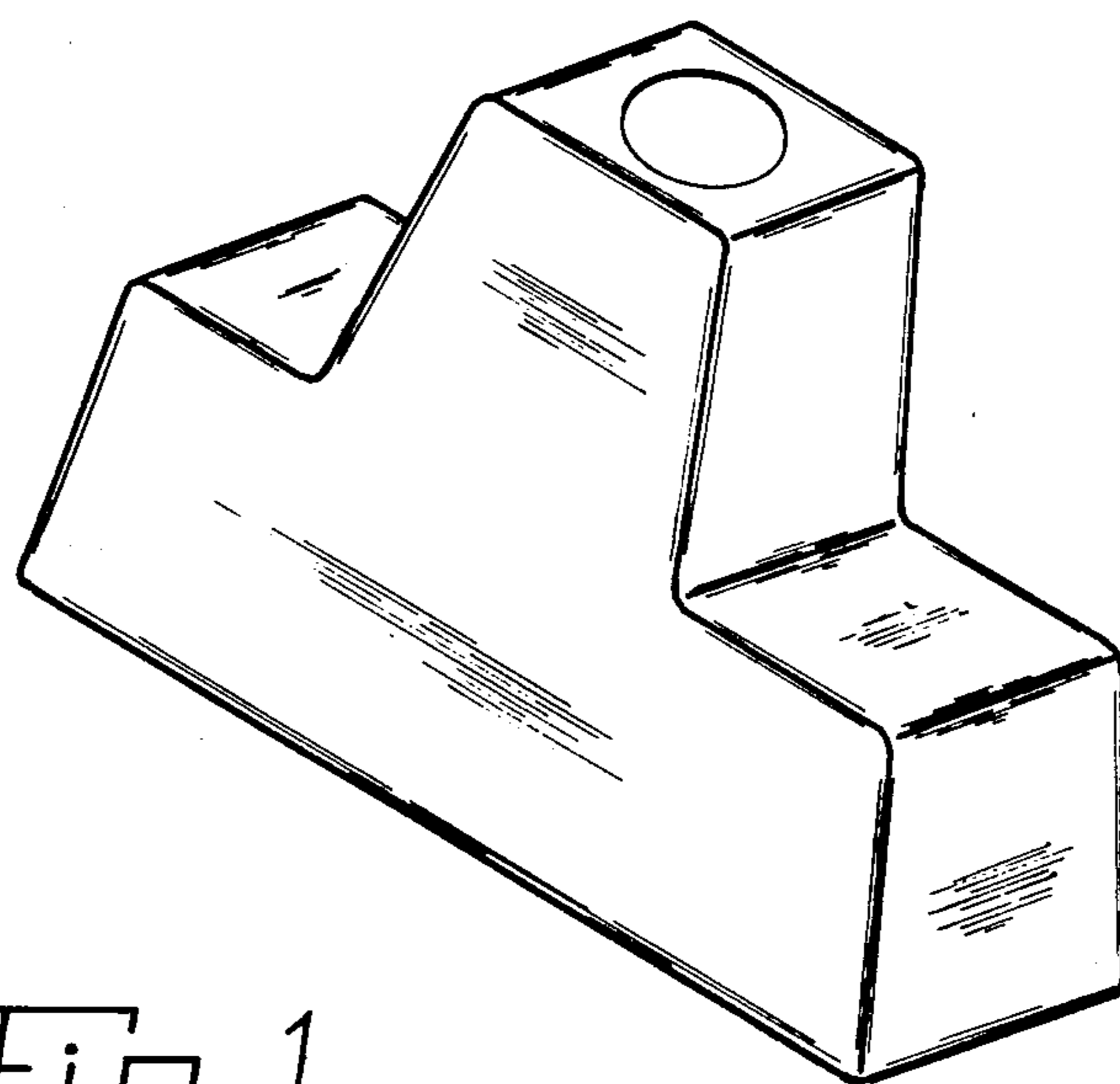


Fig. 1

Fig. 2

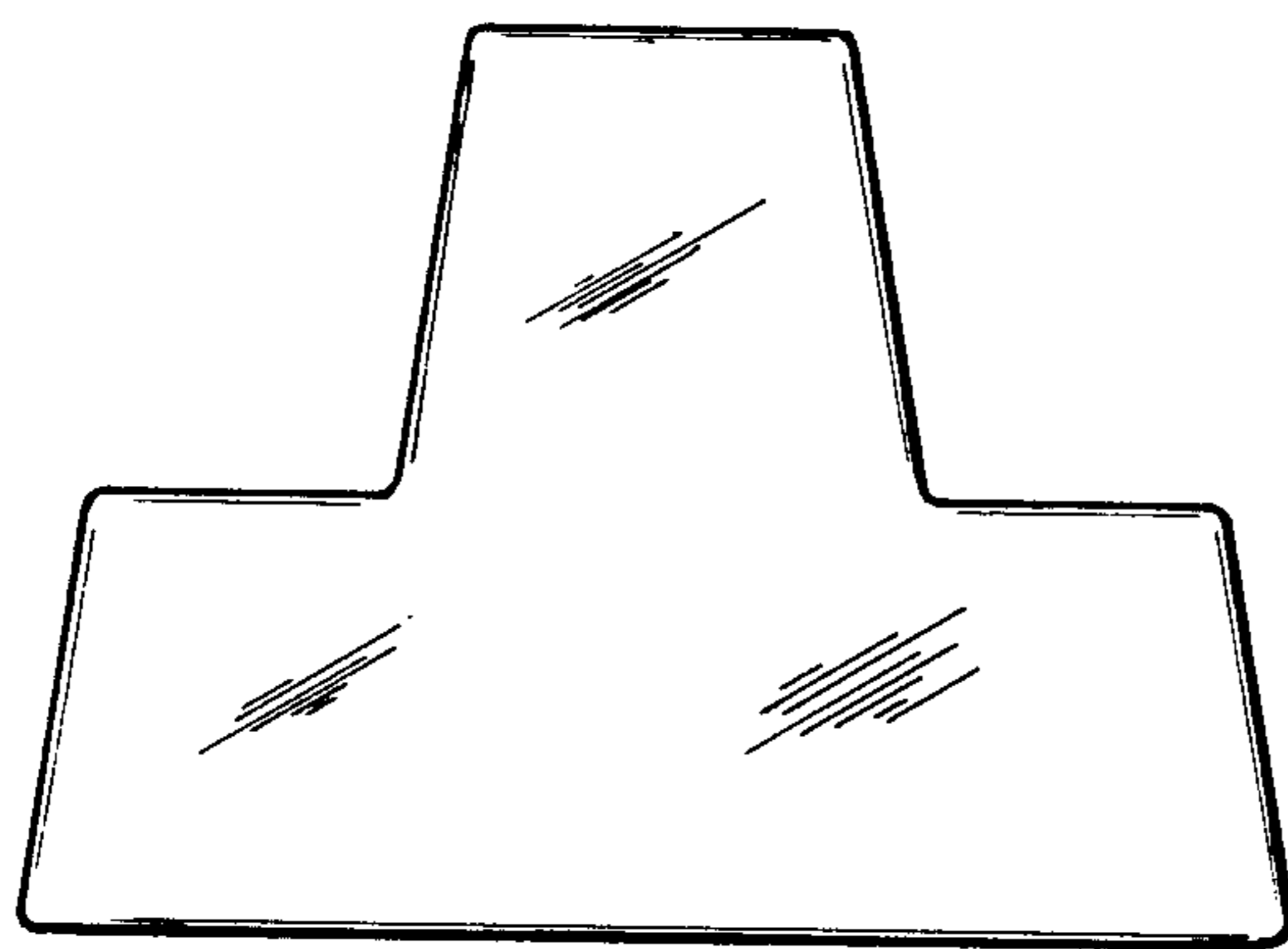
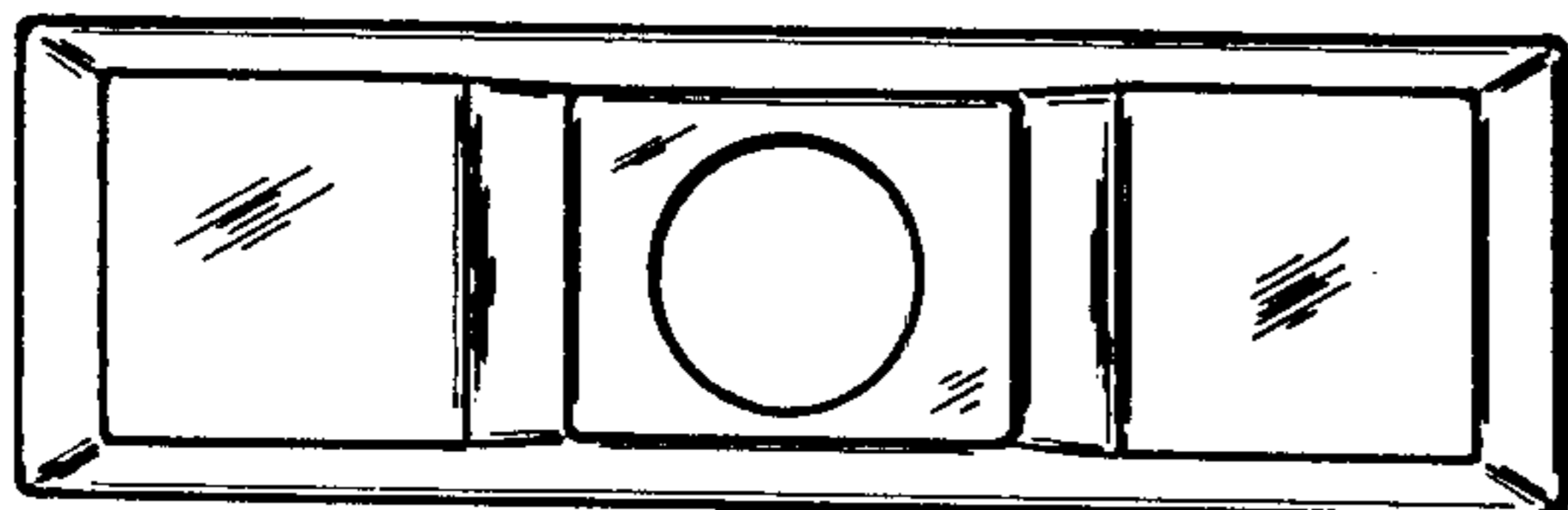


Fig. 3

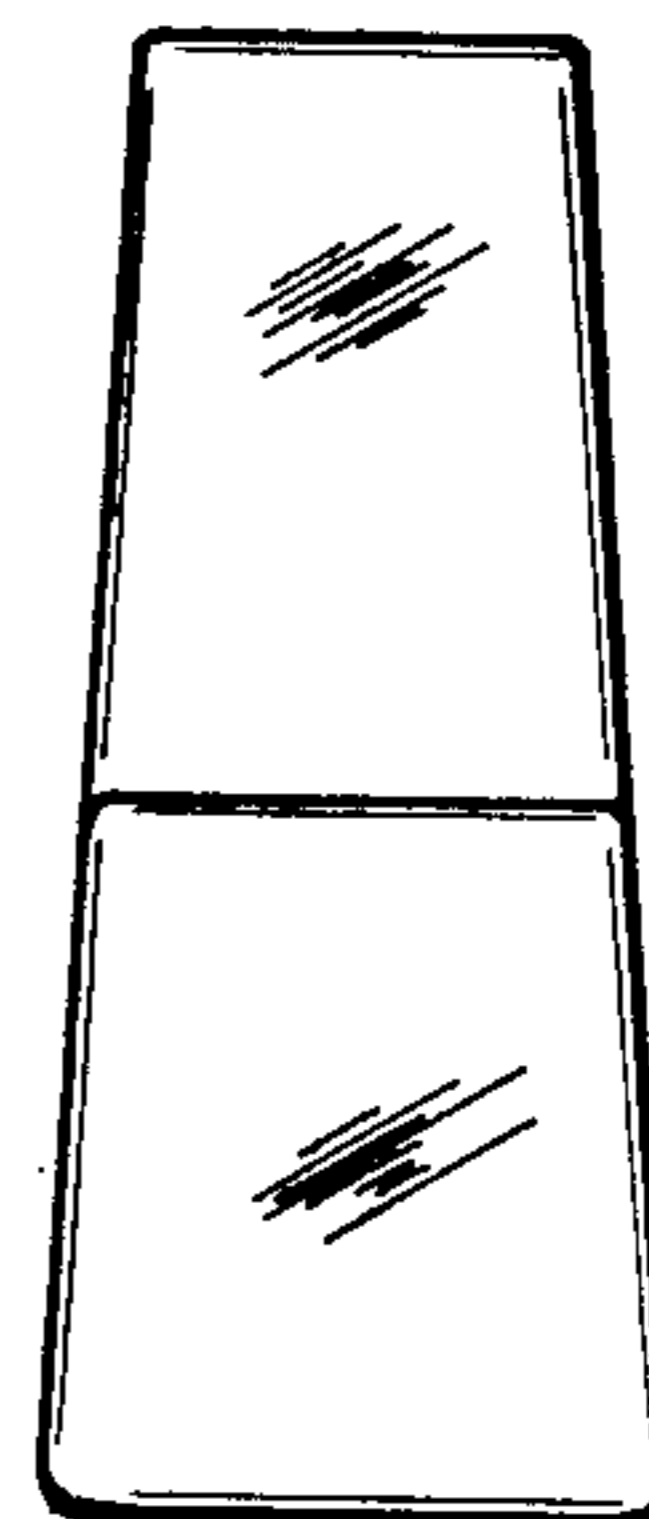


Fig. 4



Fig. 5