

[54] ANIMAL FEEDER  
[75] Inventor: Julius C. Becker, Downs, Kans.  
[73] Assignee: Becker Manufacturing Company, Incorporated, Downs, Kans.  
[\*\*] Term: 14 Years  
[21] Appl. No.: 715,446  
[22] Filed: Aug. 18, 1976  
[51] Int. Cl. .... D30-03  
[52] U.S. Cl. .... D30/13  
[58] Field of Search ..... D30/13-18;  
119/51 R, 52 R, 77

D. 142,793 11/1945 Running et al. .... D30/13  
D. 167,709 9/1952 Muehlfeld ..... D30/13  
D. 182,624 4/1958 Rysdon et al. .... D30/13

Primary Examiner—James R. Largen  
Attorney, Agent, or Firm—Gordon D. Schmidt

[57] CLAIM

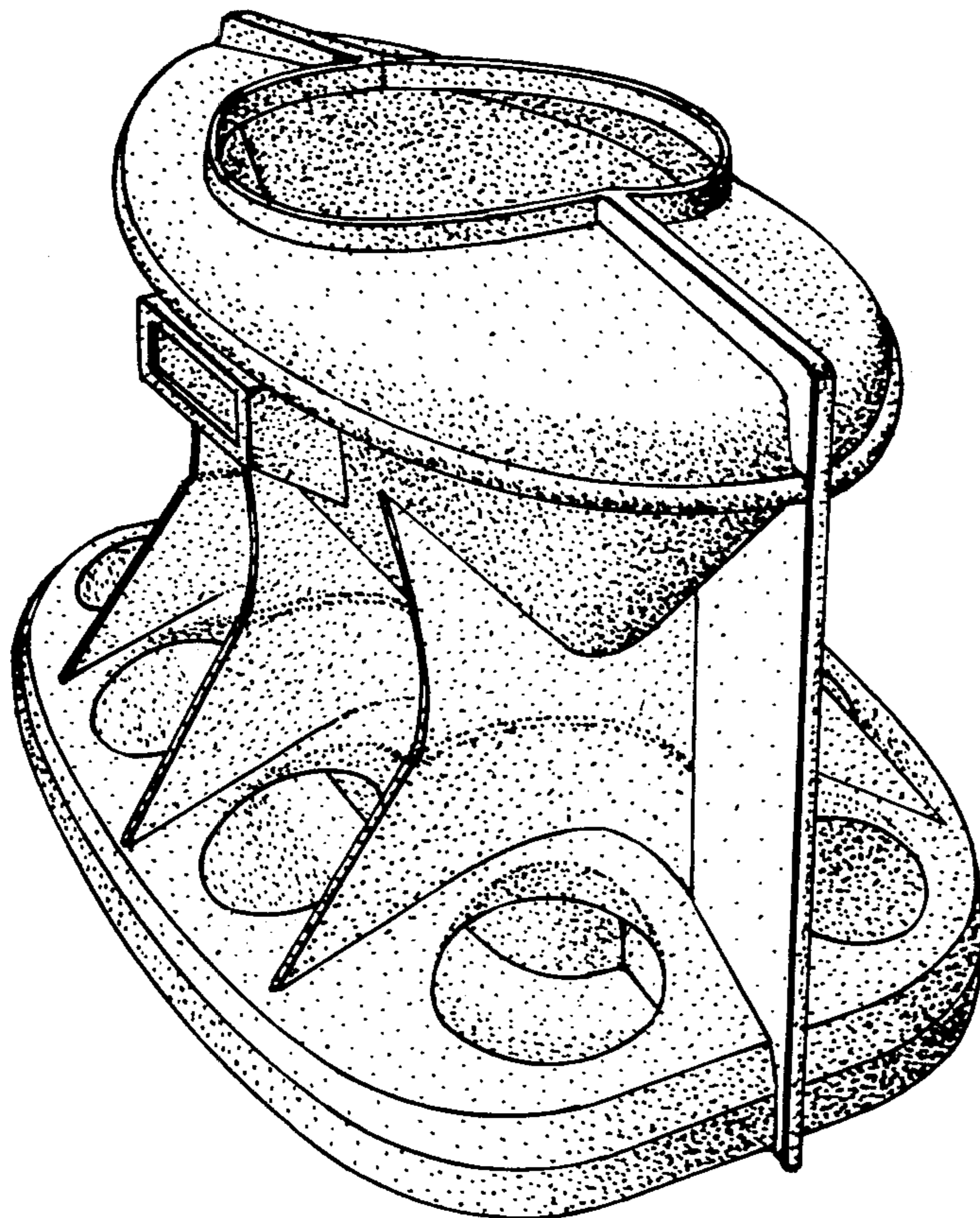
The ornamental design for an animal feeder, as shown.

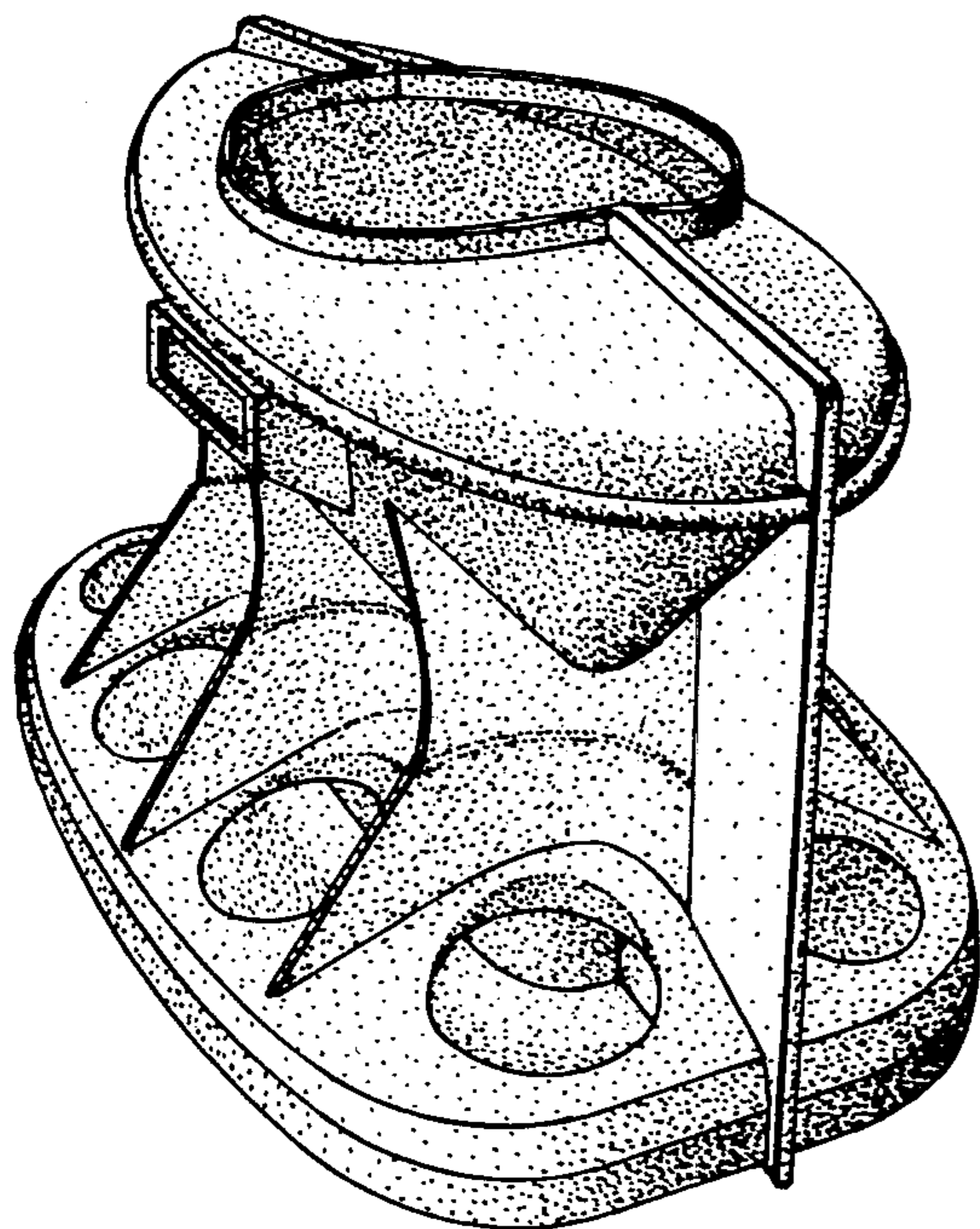
DESCRIPTION

FIG. 1 is a perspective view taken from the top, one end and one side of an animal feeder showing my new design;  
FIG. 2 is an elevational view taken from the end opposite that shown in FIG. 1;  
FIG. 3 is a perspective view taken from the top and side opposite that shown in FIG. 1;  
FIG. 4 is a top plan view thereof;  
FIG. 5 is a perspective view taken from the bottom thereof;  
FIG. 6 is a perspective view taken from the bottom and end shown in FIG. 2; and  
FIG. 7 is a perspective view taken from the bottom and side shown in FIG. 1.

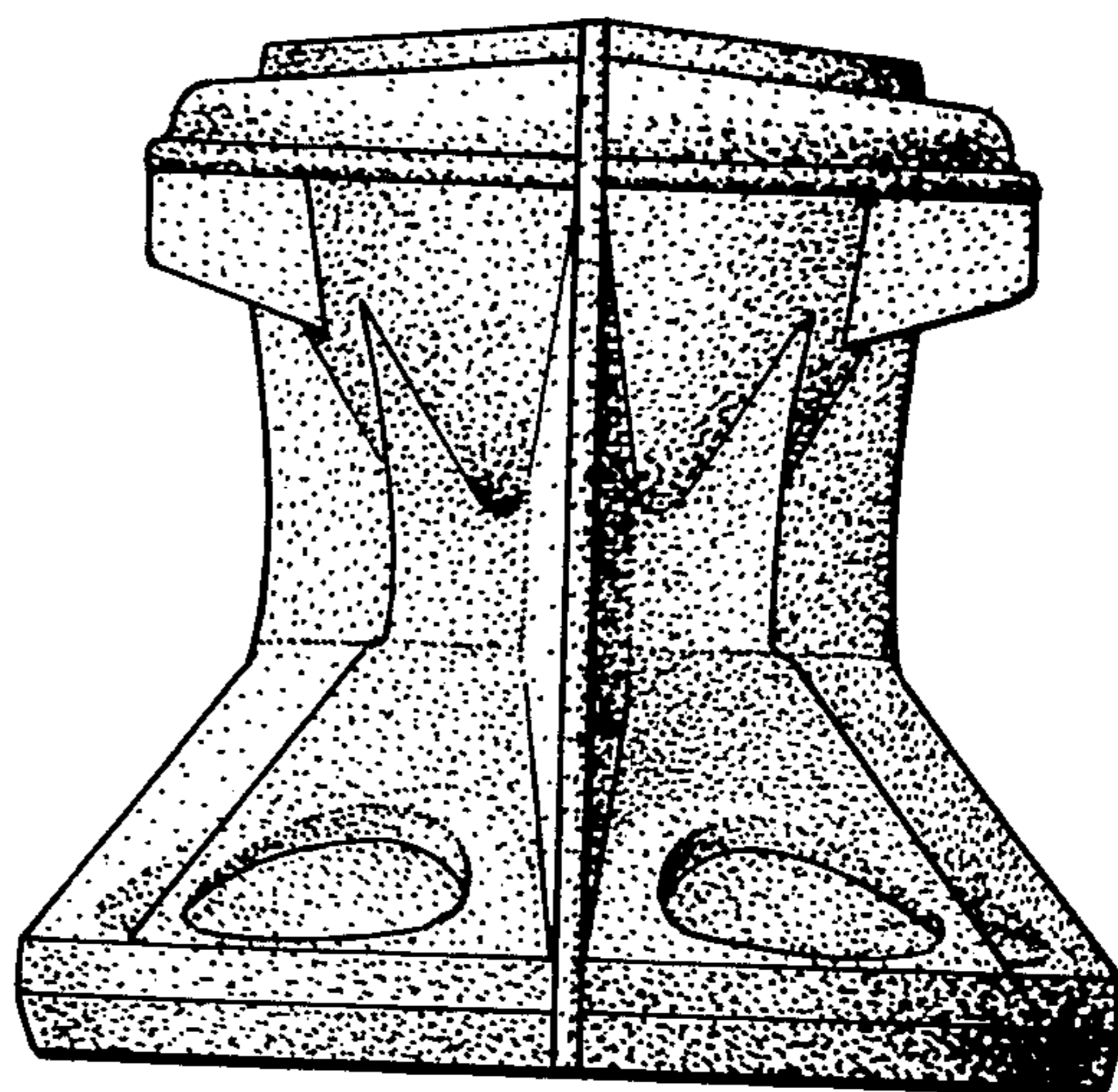
[56] References Cited  
U.S. PATENT DOCUMENTS

2,513,200	6/1950	Pax	.....	D30/13 X
2,571,004	10/1951	Bacon	.....	D30/13 X
2,988,047	6/1961	Hurdlo	.....	119/52 R
3,074,377	1/1963	Spencer	.....	119/52 R X
3,124,105	3/1964	Stapleton	.....	119/52 R X
3,613,641	10/1971	Geerlings	.....	119/52 R X
3,951,107	4/1976	Doty	.....	119/52 R

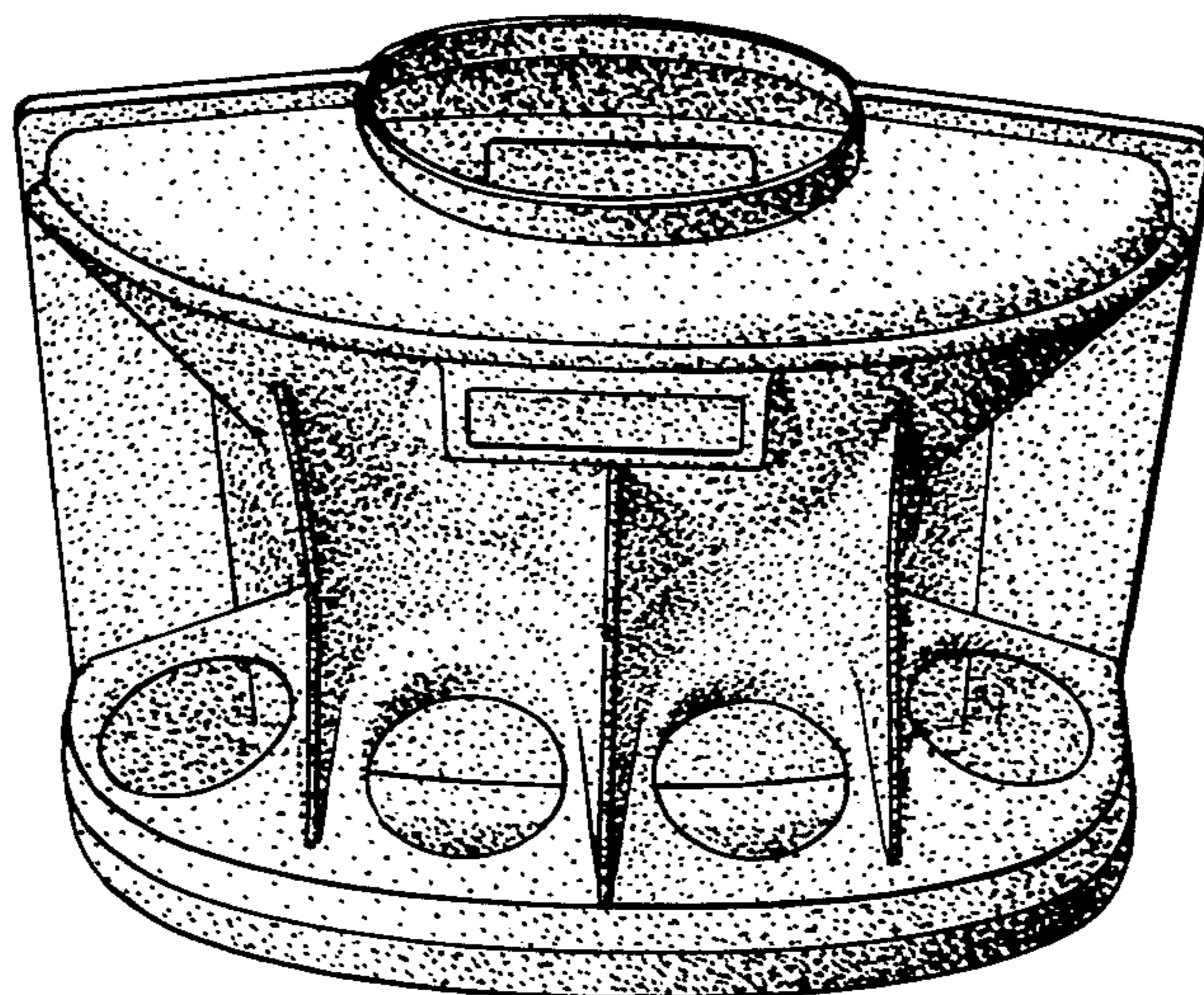




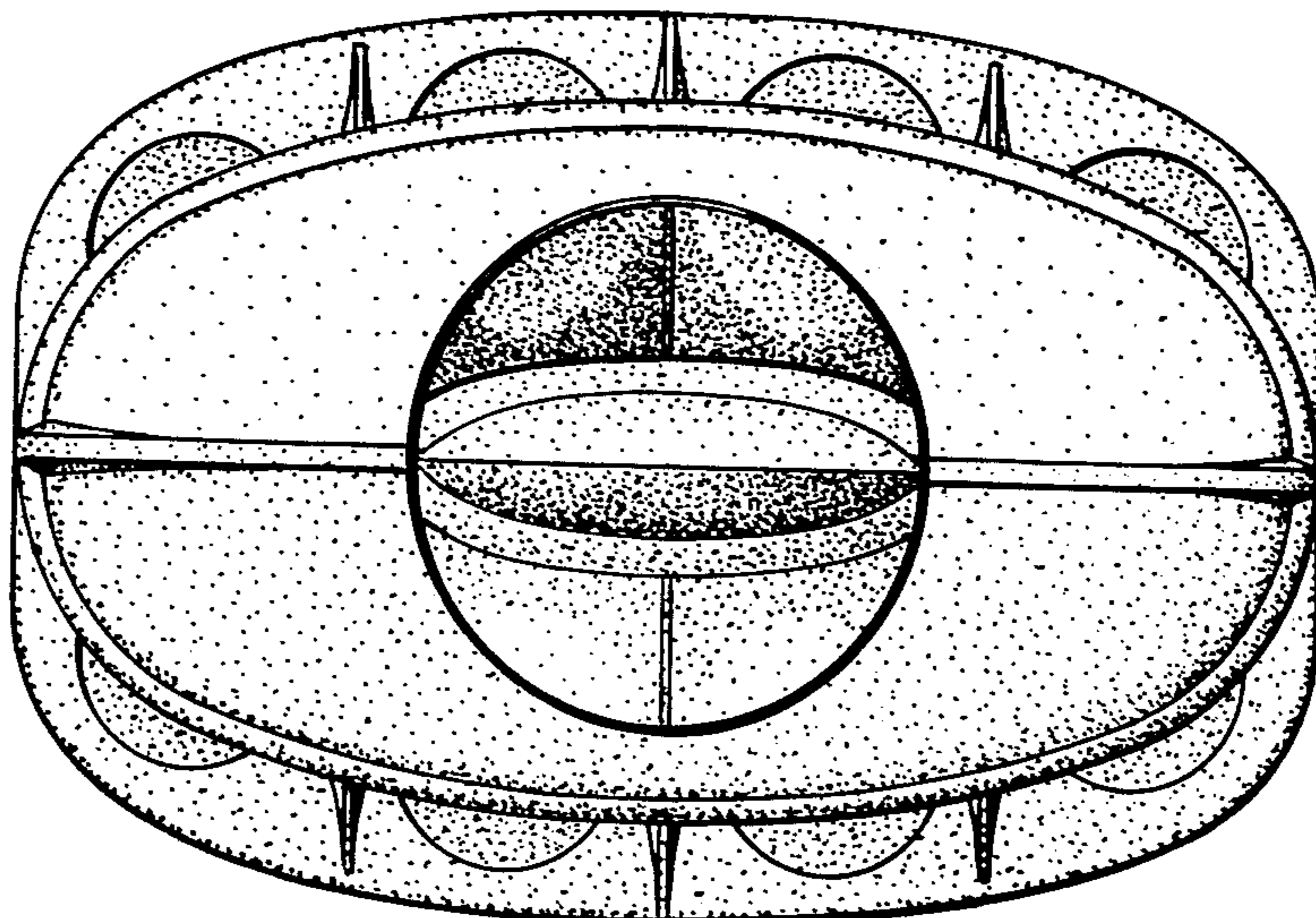
*Fig. 1.*



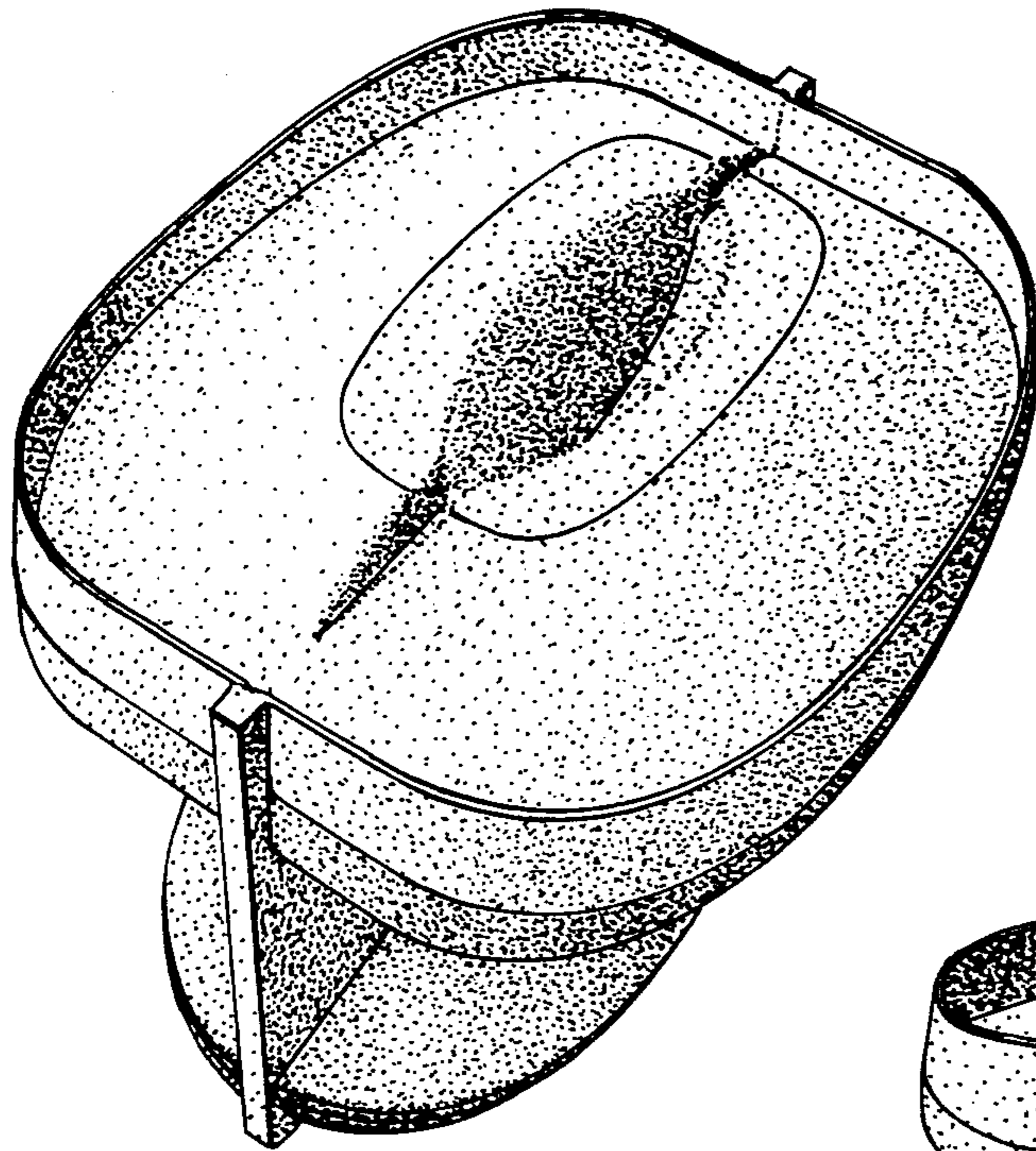
*Fig. 2.*



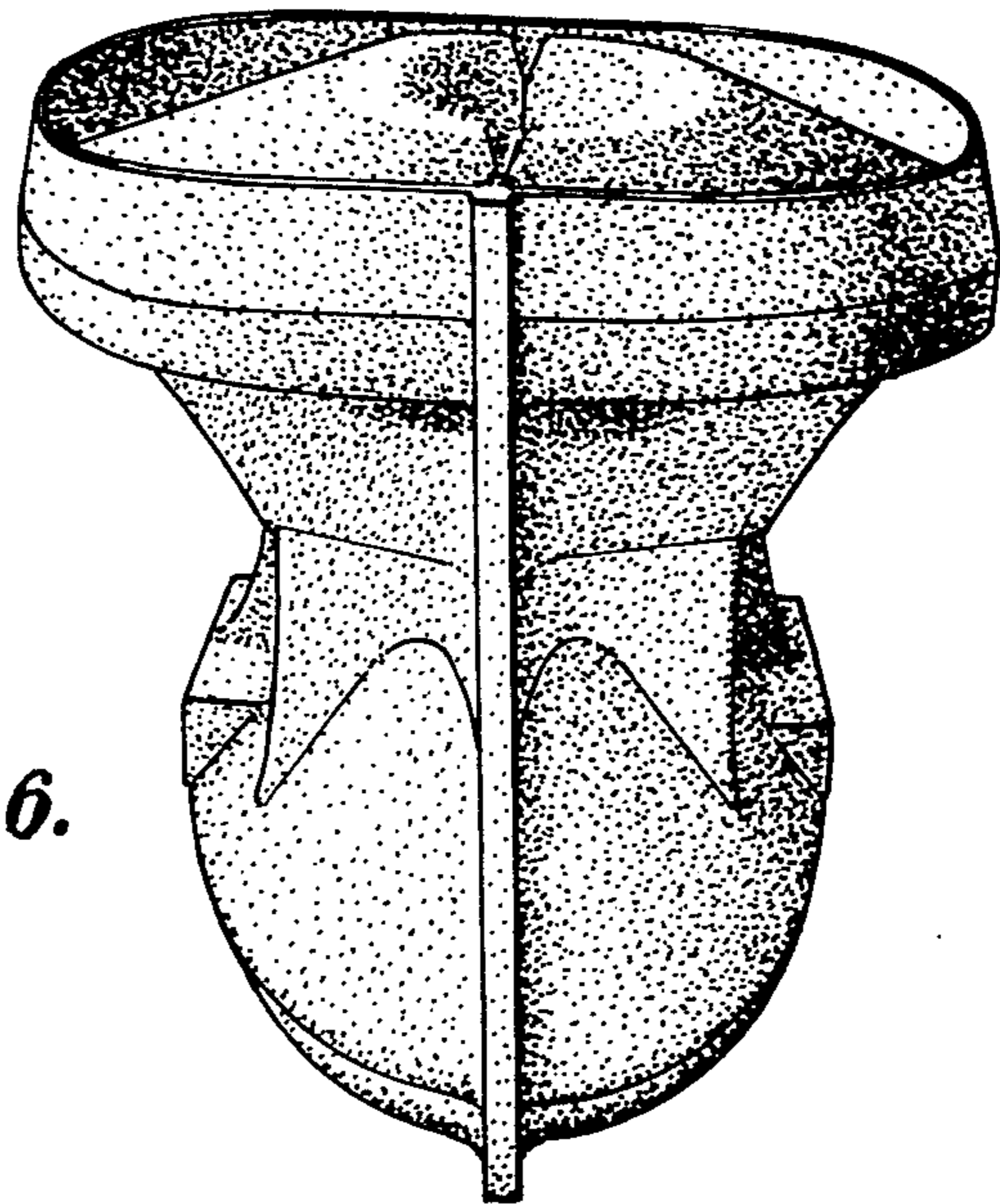
*Fig. 3.*



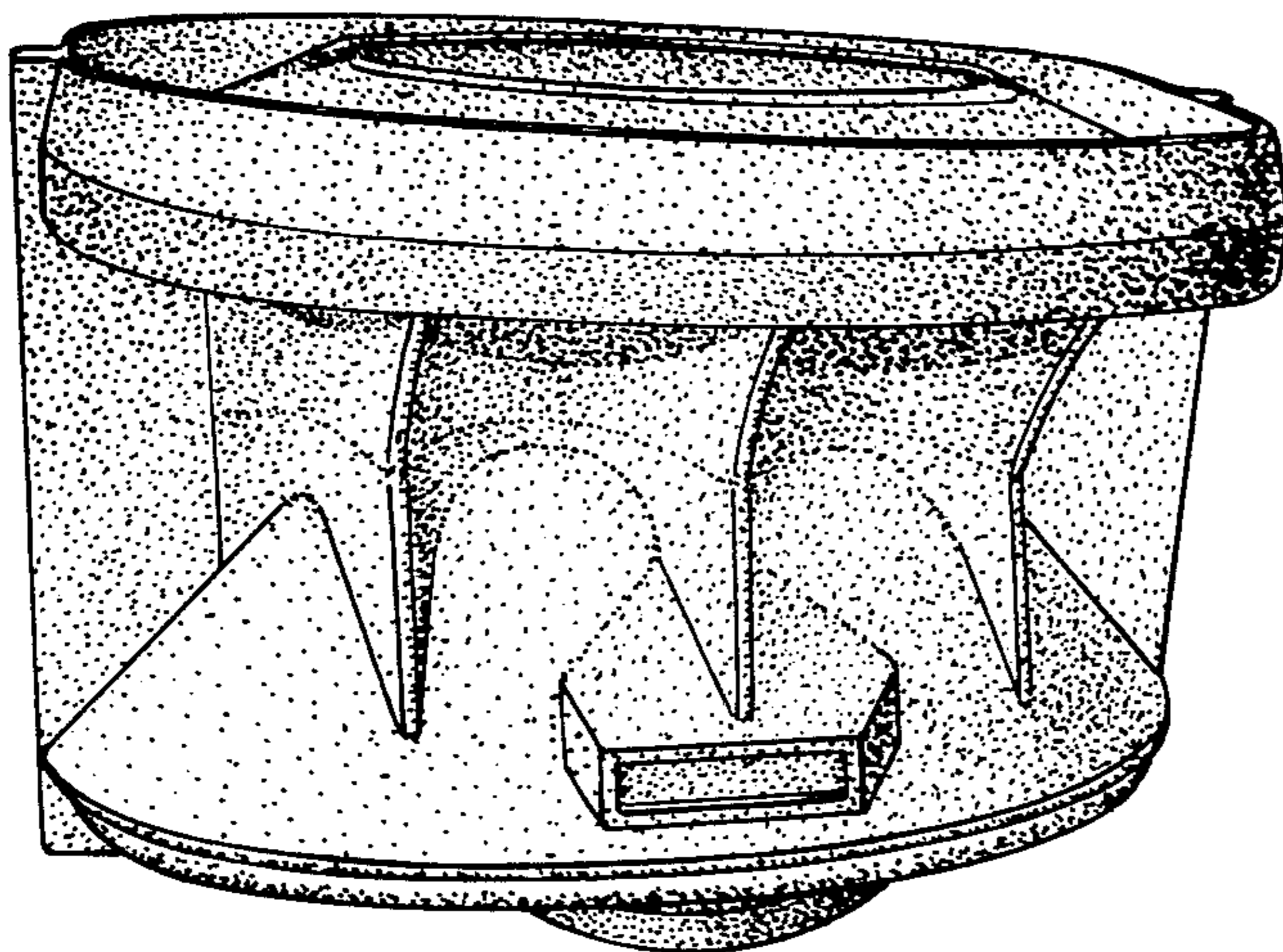
*Fig. 4.*



*Fig. 5.*



*Fig. 6.*



*Fig. 7.*