

[54] **DENTAL FLOSS APPLICATOR**
 [76] **Inventor:** Wayne B. Jennings, 114 Cloverleaf Drive, Athens, Ala. 35611
 [**] **Term:** 14 Years
 [21] **Appl. No.:** 749,214
 [22] **Filed:** Dec. 10, 1976
 [51] **Int. Cl.** D24-99
 [52] **U.S. Cl.** D28/64
 [58] **Field of Search** D24/1 D; 132/90, 91, 132/92 A; D28/64

[56] **References Cited**

U.S. PATENT DOCUMENTS

3,387,615	6/1968	MacKew	D24/1 D
3,910,294	10/1975	Reed	132/91
D. 221,149	7/1971	Davis	D24/1 D
D. 231,199	4/1974	Fortune	D24/1 D
D. 236,832	9/1975	Jennings	D24/1 D

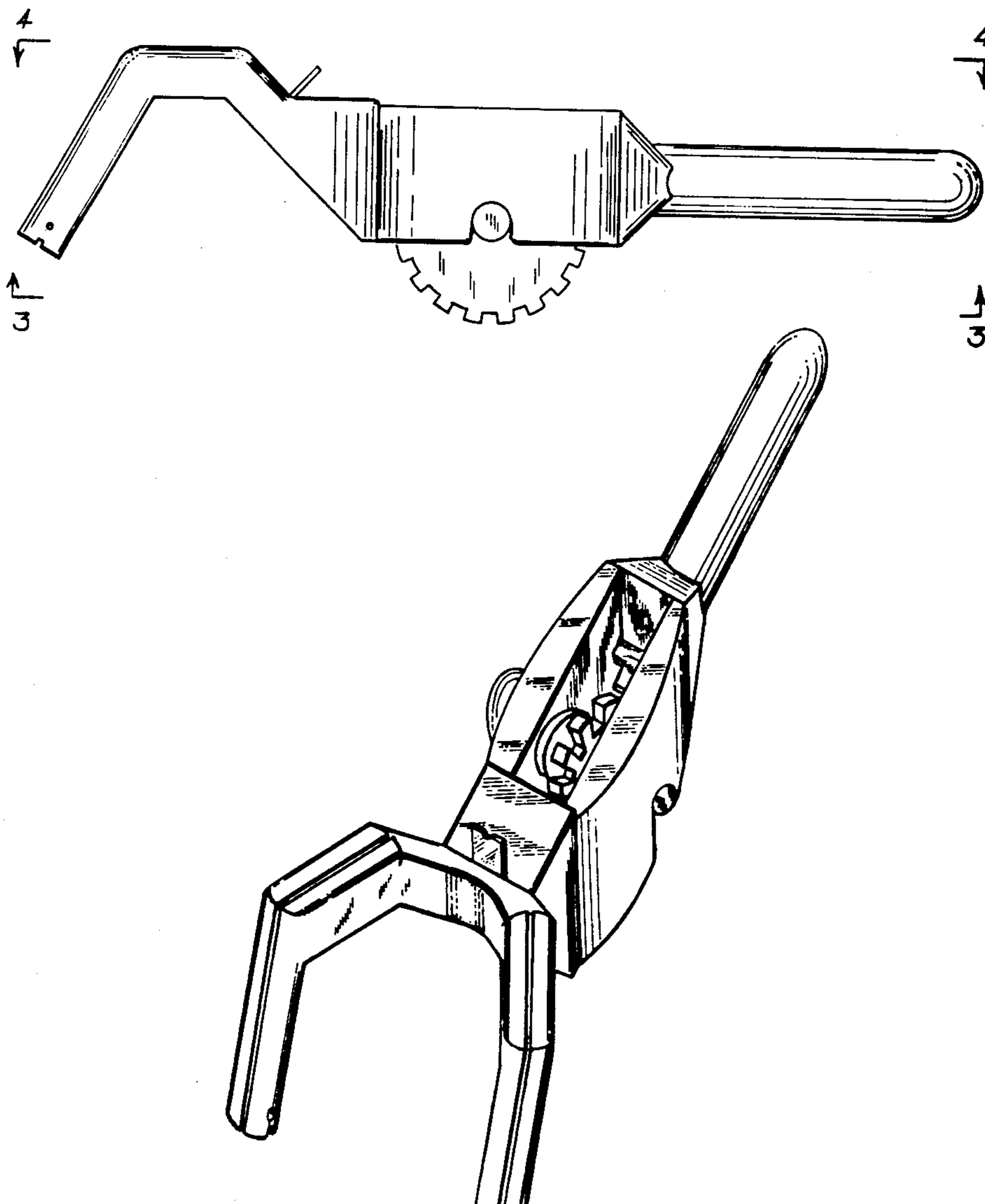
Primary Examiner—Bernard Ansher
Attorney, Agent, or Firm—Woodford R. Thompson, Jr.

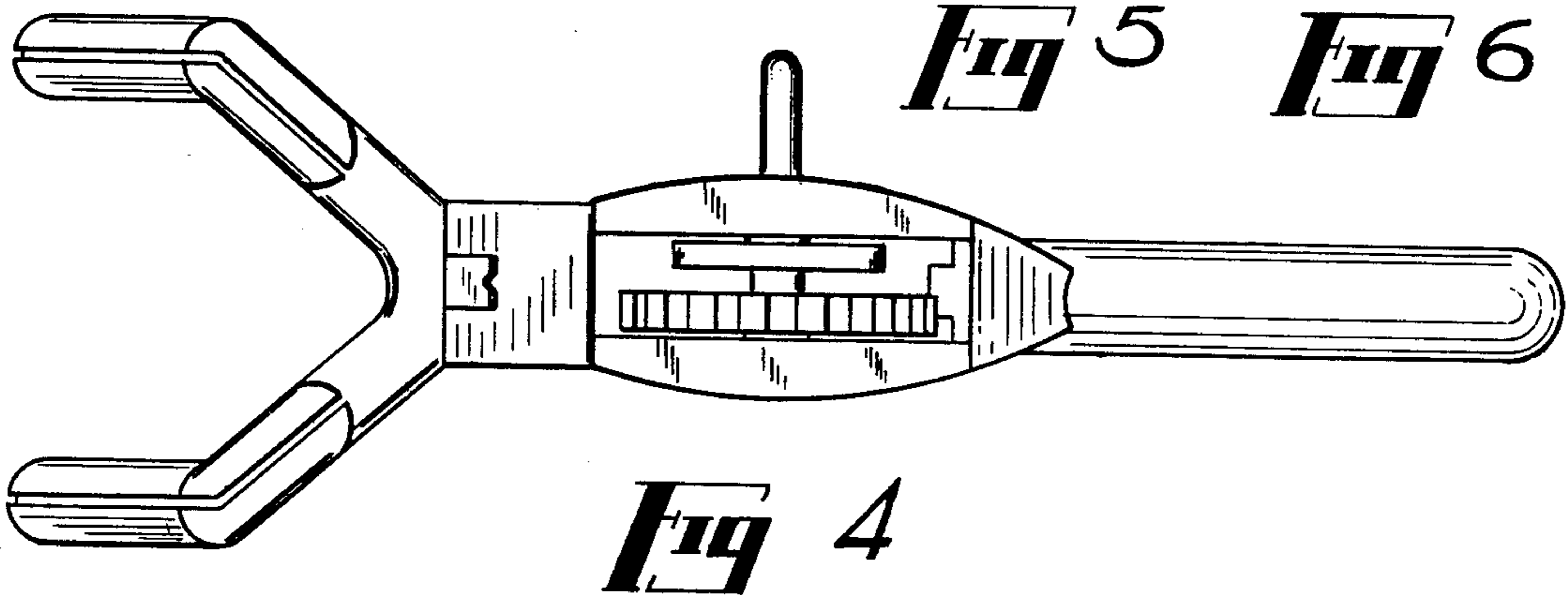
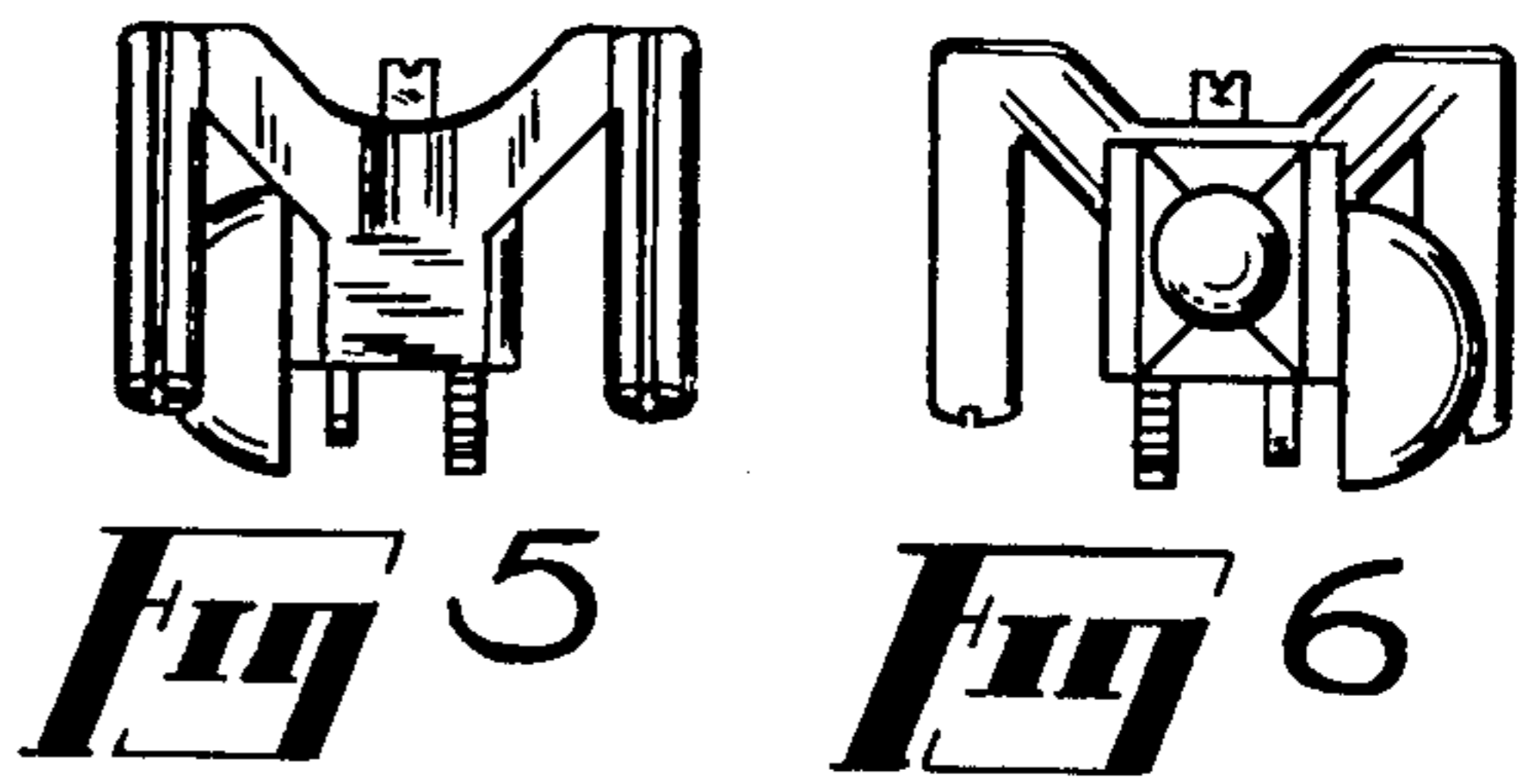
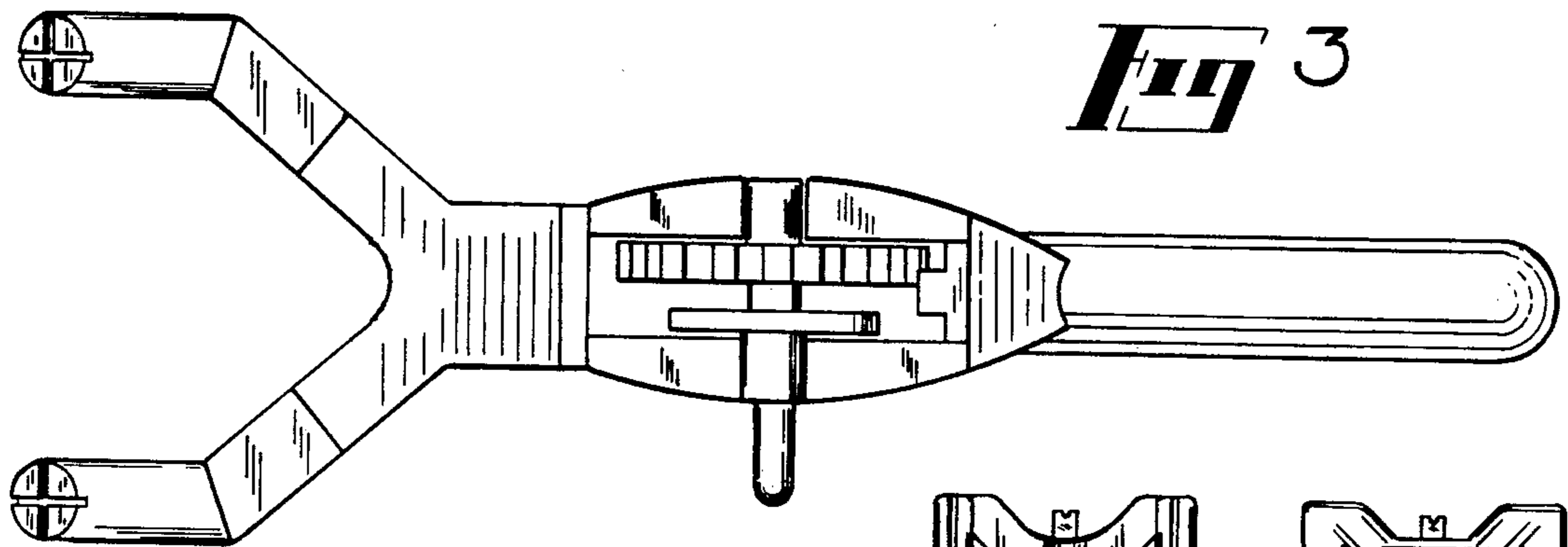
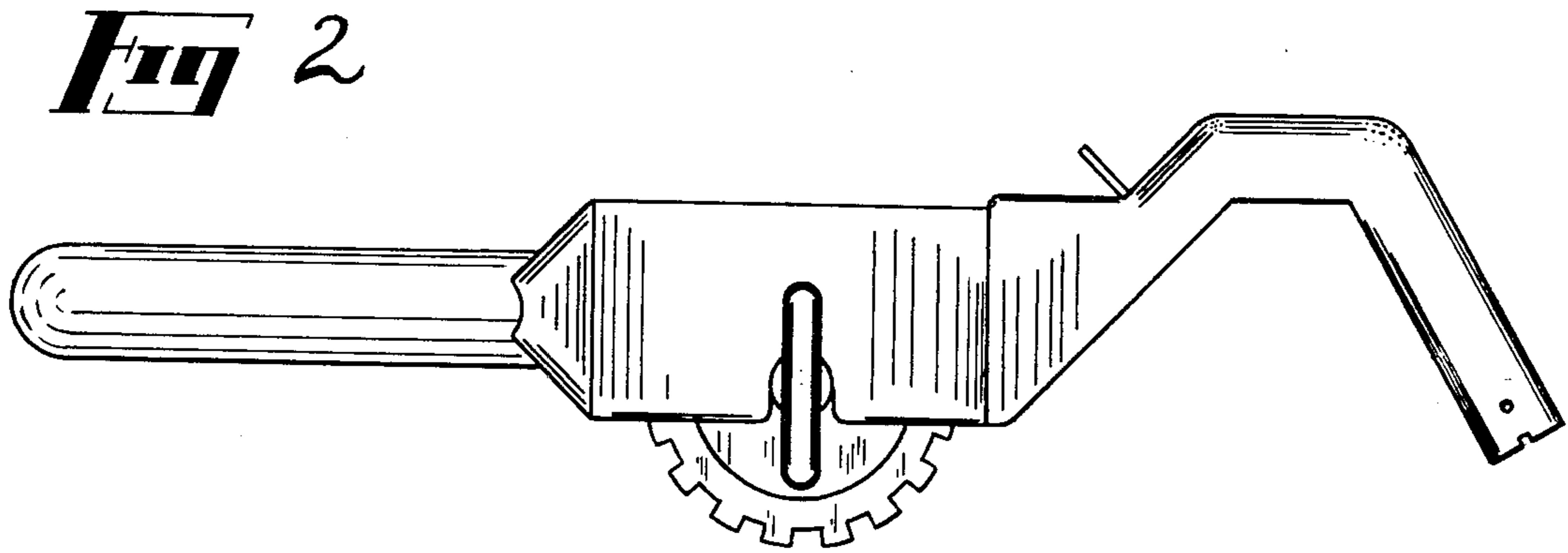
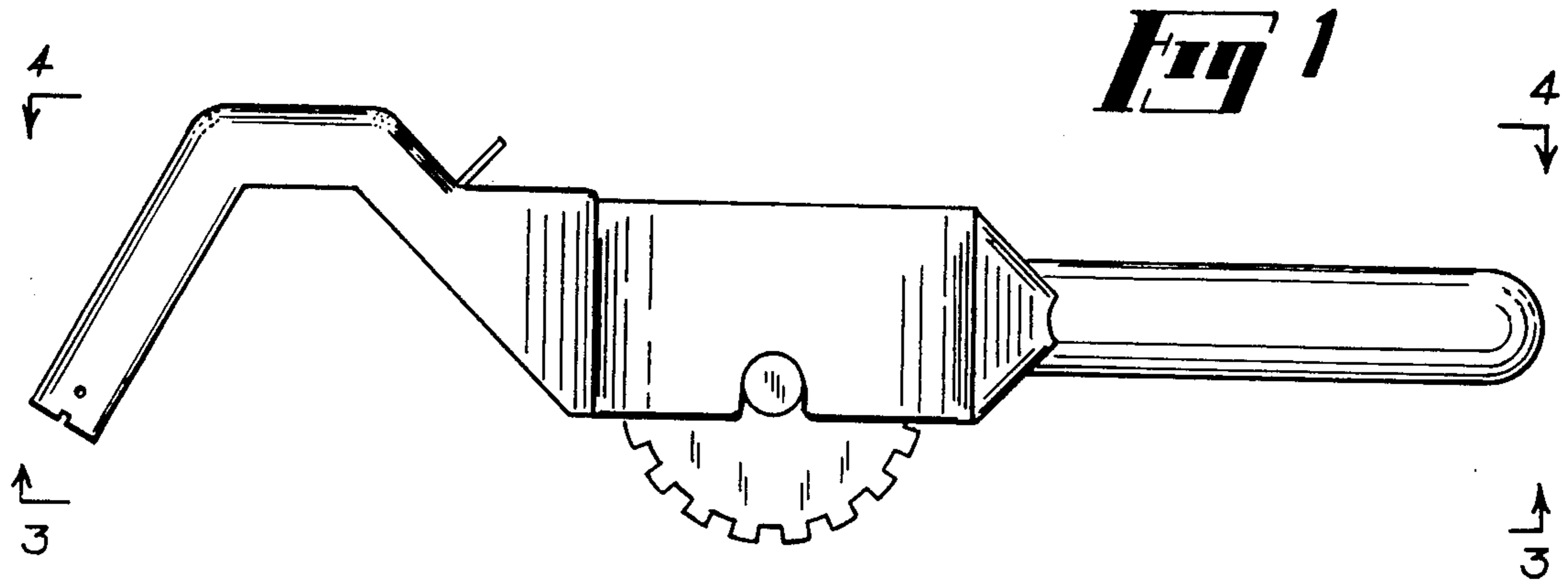
[57] **CLAIM**

The ornamental design for a dental floss applicator, as shown and described.

DESCRIPTION

FIG. 1 is a side elevational view of a dental floss applicator showing my new design;
 FIG. 2 is a side elevational view showing the opposite side of the dental floss applicator from that shown in FIG. 1;
 FIG. 3 is a bottom plan view as seen along the line 3—3 of FIG. 1;
 FIG. 4 is a top plan view as seen along the line 4—4 of FIG. 1;
 FIG. 5 is a front elevational view;
 FIG. 6 is a rear elevational view; and
 FIG. 7 is a perspective view as seen from the top and front of FIG. 4.





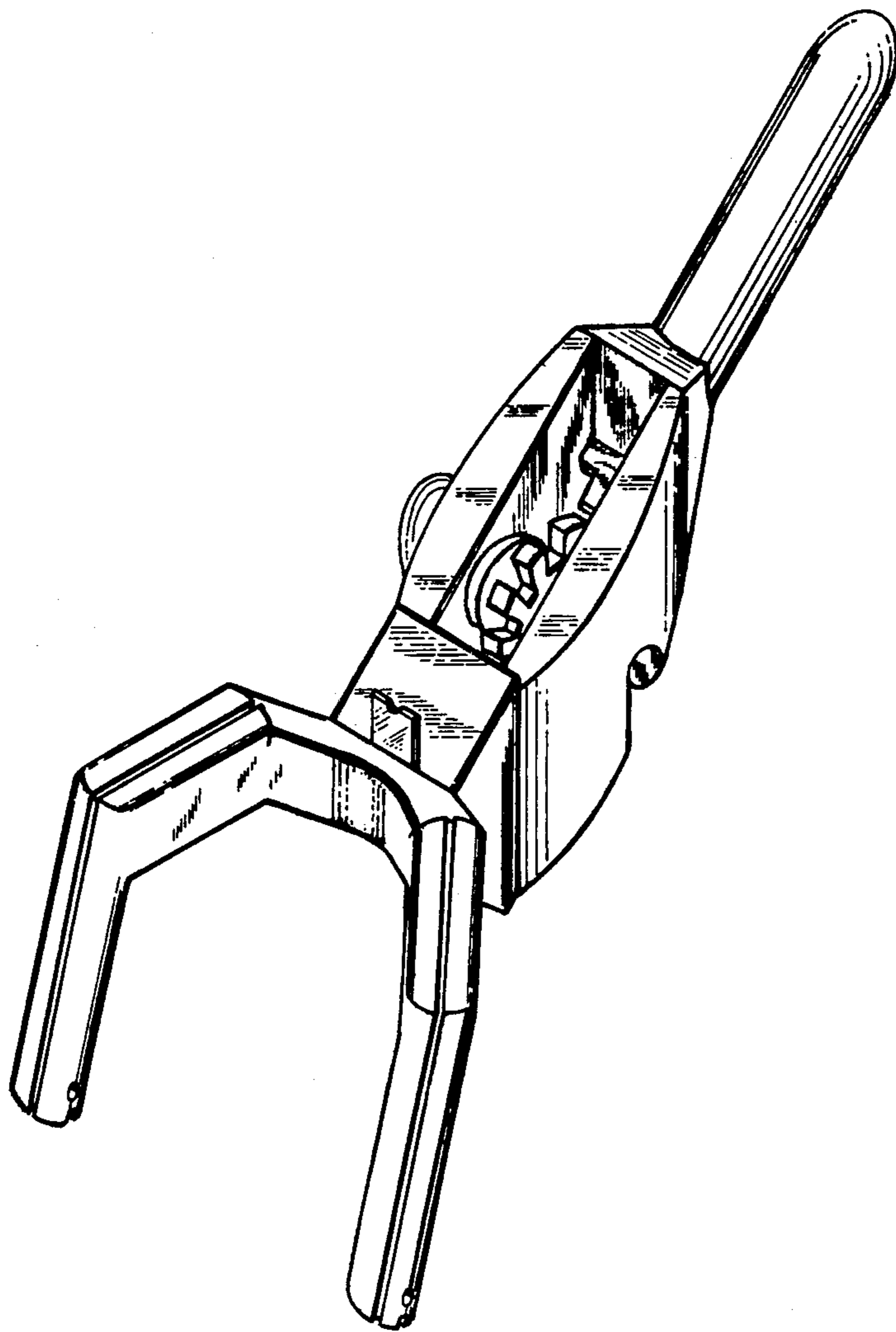


FIG 7