

[54] **WINDOW COMPONENT EXTRUSION**

[76] Inventor: **Raymond Dallaire**, P.O. Box 220,
Levis, Quebec, Canada

[**] Term: **14 Years**

[21] Appl. No.: **673,435**

[22] Filed: **Apr. 5, 1976**

[30] **Foreign Application Priority Data**

Oct. 10, 1975 Canada 10-10-75-4

[51] Int. Cl. **D25-01**

[52] U.S. Cl. **D25/74**

[58] Field of Search 49/413; 52/716, 720-739;
D25/2, 47, 48, 52, 60, 61, 73, 74, 75, 76, 77, 78,
79

[56] **References Cited**

U.S. PATENT DOCUMENTS

2,917,788	12/1959	Kunkel	49/DIG. 2
3,383,801	5/1968	Dallaire	49/413 X
3,468,064	9/1969	Fraleigh et al.	49/413
3,483,658	12/1969	Dallaire	49/413 X
3,636,661	1/1972	Strawsine	49/413
3,731,430	5/1973	Dallaire	49/413 X
D. 226,904	5/1973	Dallaire et al.	D25/76

Primary Examiner—A. Hugo Word
Attorney, Agent, or Firm—John W. Malley

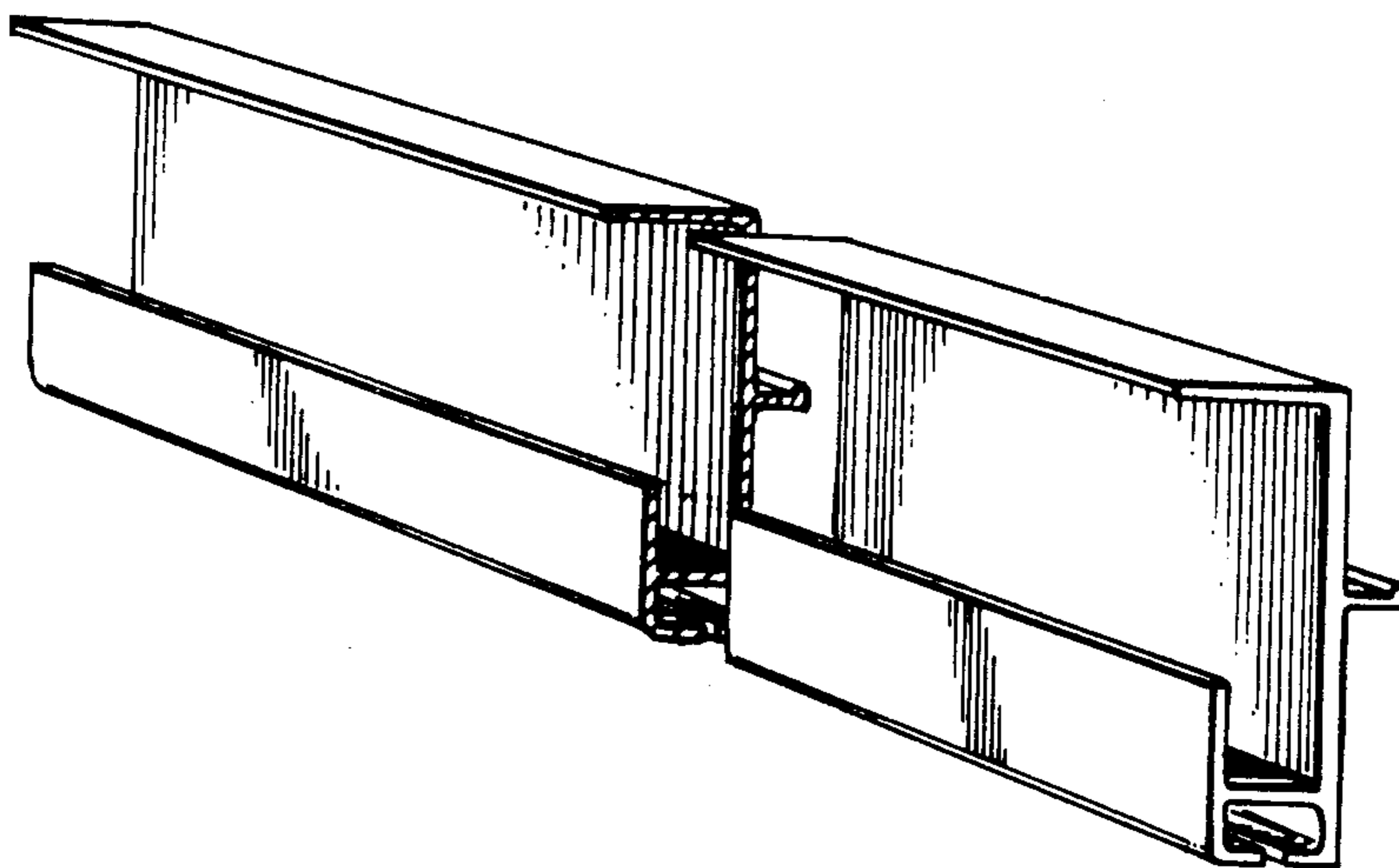
[57] **CLAIM**

The ornamental design for a window component extrusion, as shown.

DESCRIPTION

FIG. 1 is a broken perspective of one side of the extrusion, and

FIG. 2 is a corresponding broken perspective from the opposite side of the extrusion compared to FIG. 1.



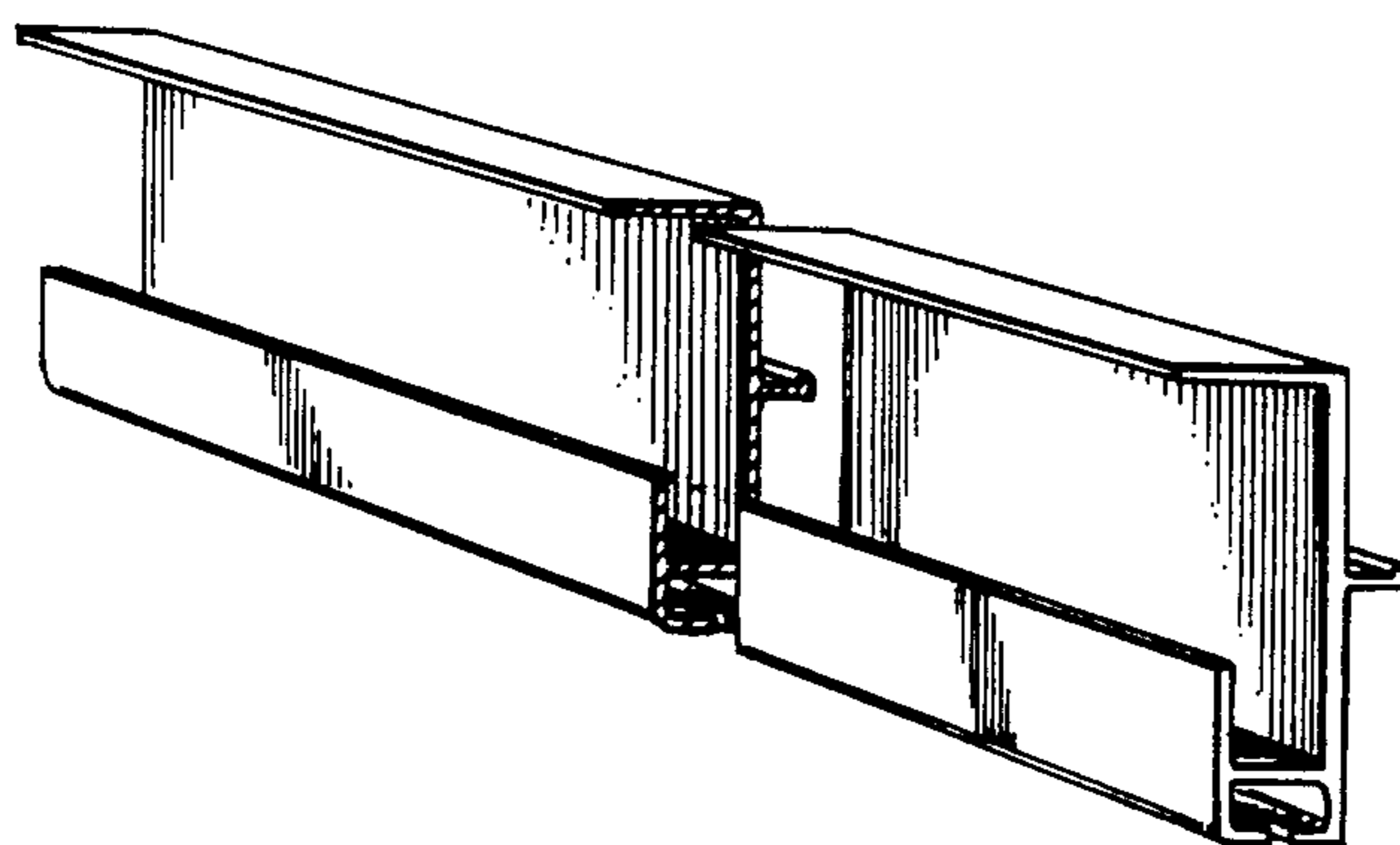


FIG. 1

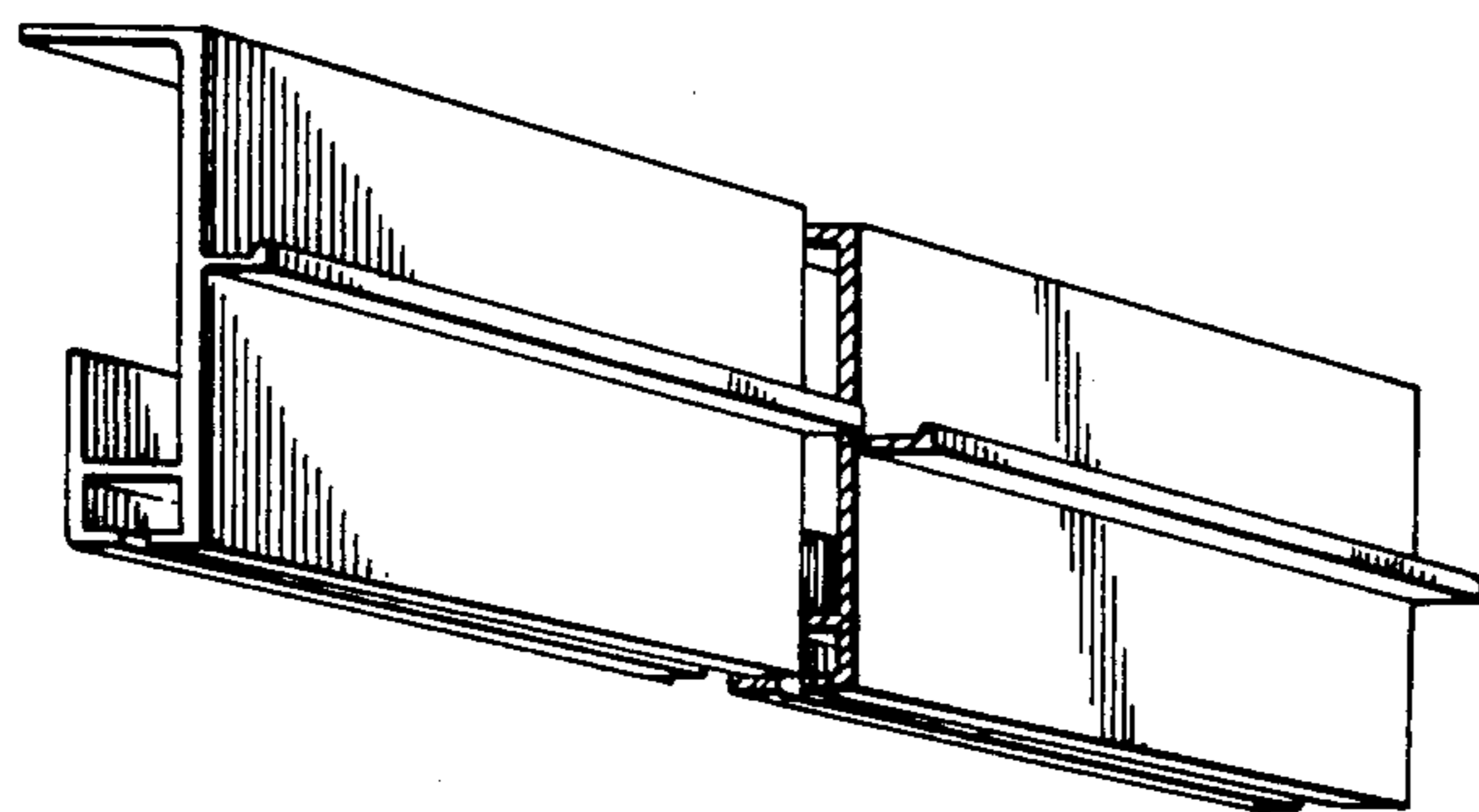


FIG. 2