

[54] **WINDOW COMPONENT EXTRUSION**

[76] Inventor: **Raymond Dallaire**, P.O. Box 220,  
 Levis, Quebec, Canada

[\*\*] Term: **14 Years**

[21] Appl. No.: **673,434**

[22] Filed: **Apr. 5, 1976**

[30] **Foreign Application Priority Data**

Oct. 10, 1975 Canada ..... 10-10-75-2

[51] Int. Cl. .... **D25-01**

[52] U.S. Cl. .... **D25/74**

[58] Field of Search ..... 49/413, 504, DIG. 2;  
 52/716, 720-739; D25/2, 47, 48, 52, 60, 67, 73,  
 74, 75, 76, 77, 78

[56] **References Cited**

**U.S. PATENT DOCUMENTS**

2,917,788 12/1959 Kunkel ..... 49/DIG. 2  
 3,383,801 5/1968 Dallaire ..... 49/413 X

3,468,064 9/1969 Fraleigh et al. .... 49/413  
 3,483,658 12/1969 Dallaire ..... 49/413 X  
 3,636,661 1/1972 Strawsine ..... 49/413  
 3,731,430 5/1973 Dallaire ..... 49/413 X  
 D. 226,904 5/1973 Dallaire et al. .... D25/76

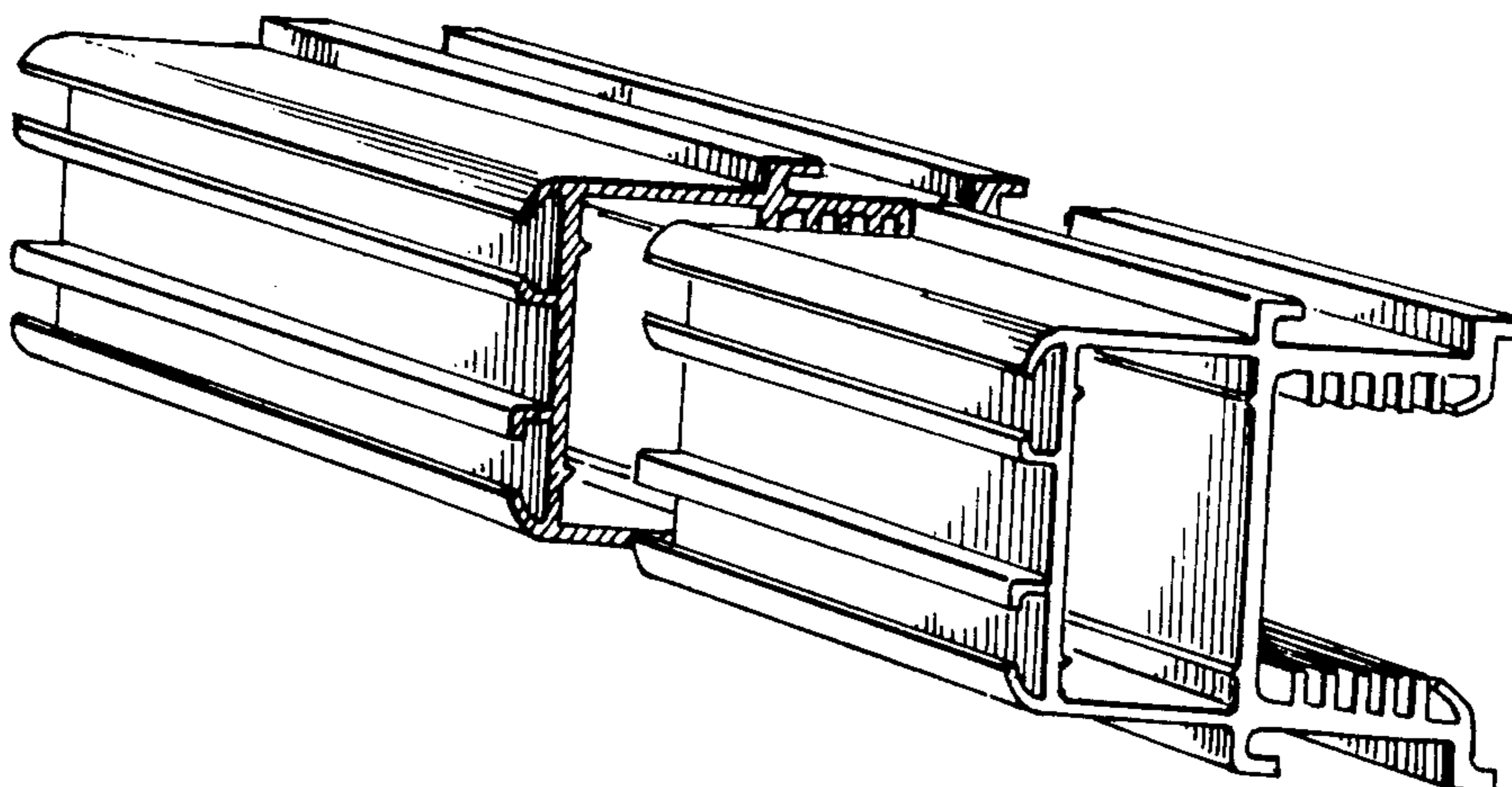
*Primary Examiner*—A. Hugo Word  
*Attorney, Agent, or Firm*—John W. Malley

[57] **CLAIM**

The ornamental design for a window component extrusion, as shown and described.

**DESCRIPTION**

FIG. 1 is a broken perspective of one side of the extrusion;  
 FIG. 2 is a corresponding broken perspective from the opposite side of the extrusion compared to FIG. 1;  
 FIG. 3 is a broken perspective of one side of a variant of the extrusion shown in FIG. 1, wherein the two small inwardly-facing ridges upon the left hand vertical wall are omitted; and  
 FIG. 4 is a corresponding broken perspective from the opposite side of the extrusion compared to FIG. 3.



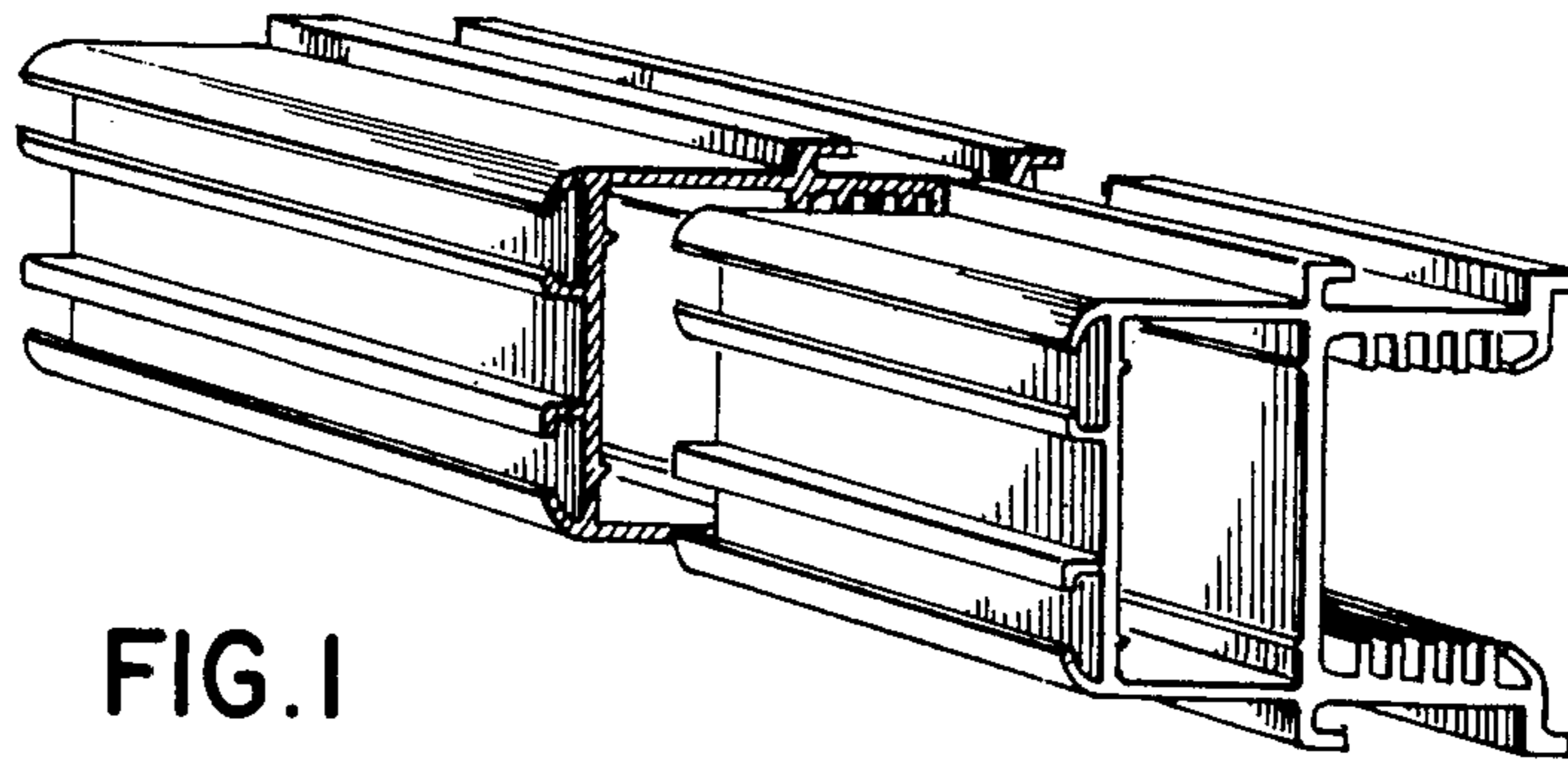


FIG. 1

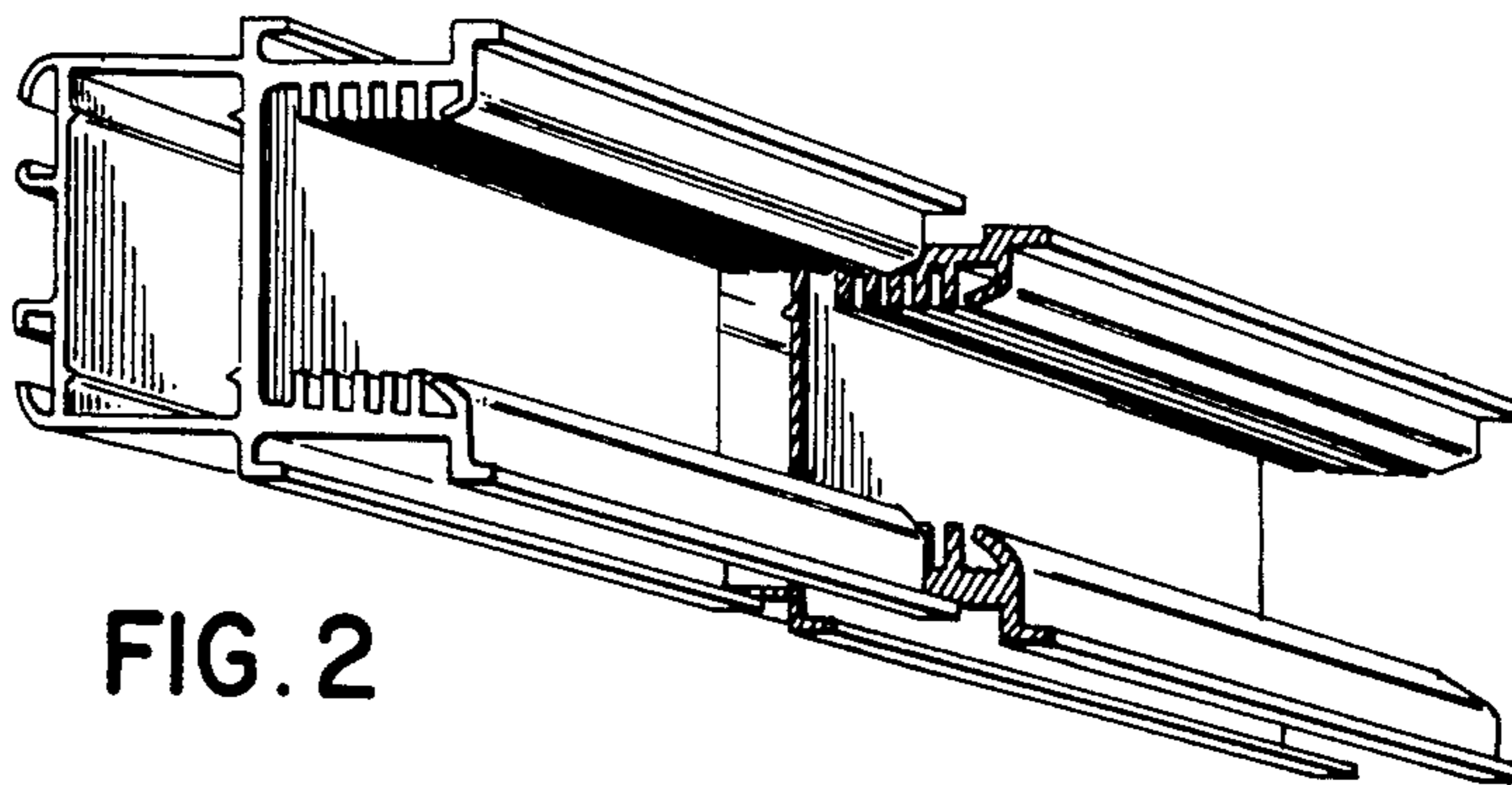


FIG. 2

