

[54] **COMBINED MIXING AND FILTER BOWL**

[75] Inventor: **William Felix Hughes, Perth, Australia**

[73] Assignee: **Hughes Steel Products Pty. Ltd., Australia**

[**] Term: **14 Years**

[21] Appl. No.: **618,195**

[22] Filed: **Sept. 30, 1975**

[51] Int. Cl. **D23—01**

[52] U.S. Cl. **D23/4**

[58] Field of Search **D23/4; 210/475—482**

[56] **References Cited**

U.S. PATENT DOCUMENTS

1,413,892	4/1922	Bergholz et al.	210/479 X
1,560,471	11/1925	Horne	210/482
1,650,317	11/1927	Blunck	210/477 X

2,316,721	4/1943	Schwartz	210/477 X
2,747,739	5/1956	Bissonnette et al.	210/482
D. 208,752	9/1967	Payne	D23/4
D. 235,542	6/1975	Blocker	D23/4

Primary Examiner—James R. Largen
Attorney, Agent, or Firm—William Anthony Drucker

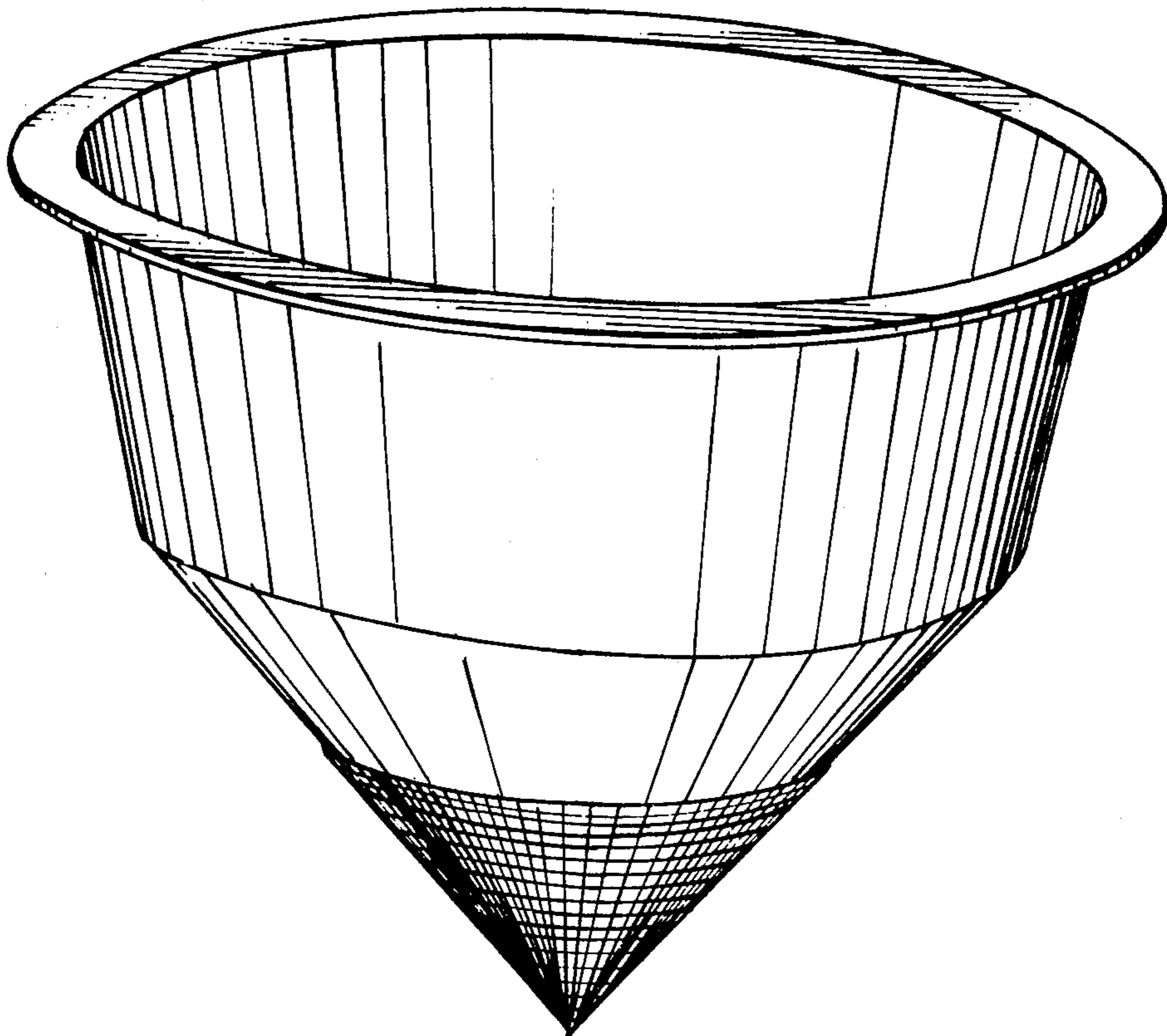
[57] **CLAIM**

The ornamental design for a combined mixing and filter bowl, as shown and described.

DESCRIPTION

FIG. 1 is a perspective view of a combined mixing and filter bowl showing my new design; FIG. 2 is a perspective view taken from the top thereof; FIG. 3 is a top plan view thereof; and FIG. 4 is a cross sectional view taken on lines 4—4 of FIG. 3.

It is to be understood that the fragmentary showing of filter material is continuous throughout the area indicated in FIGS. 1 through 4.



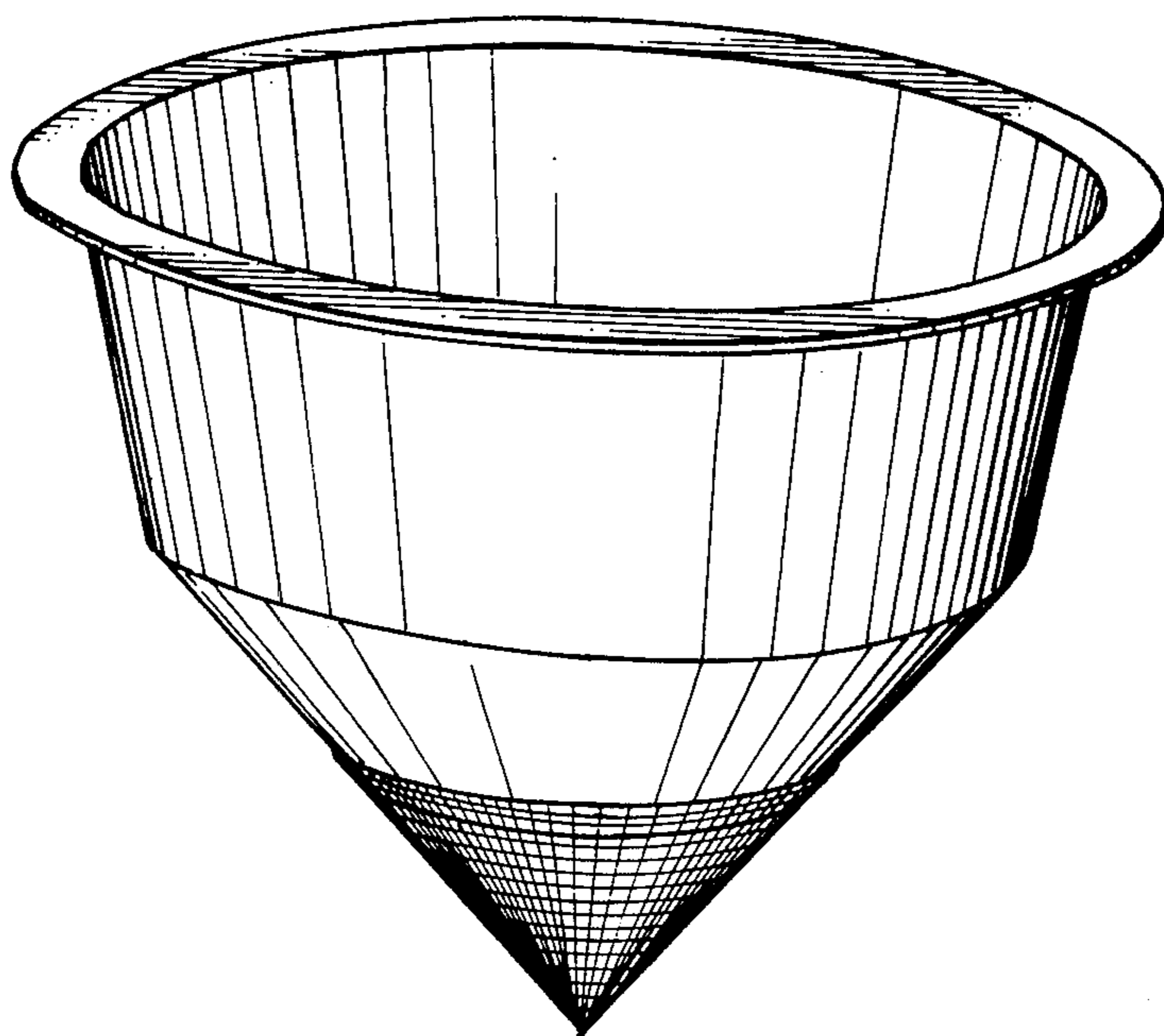


Fig. 1.

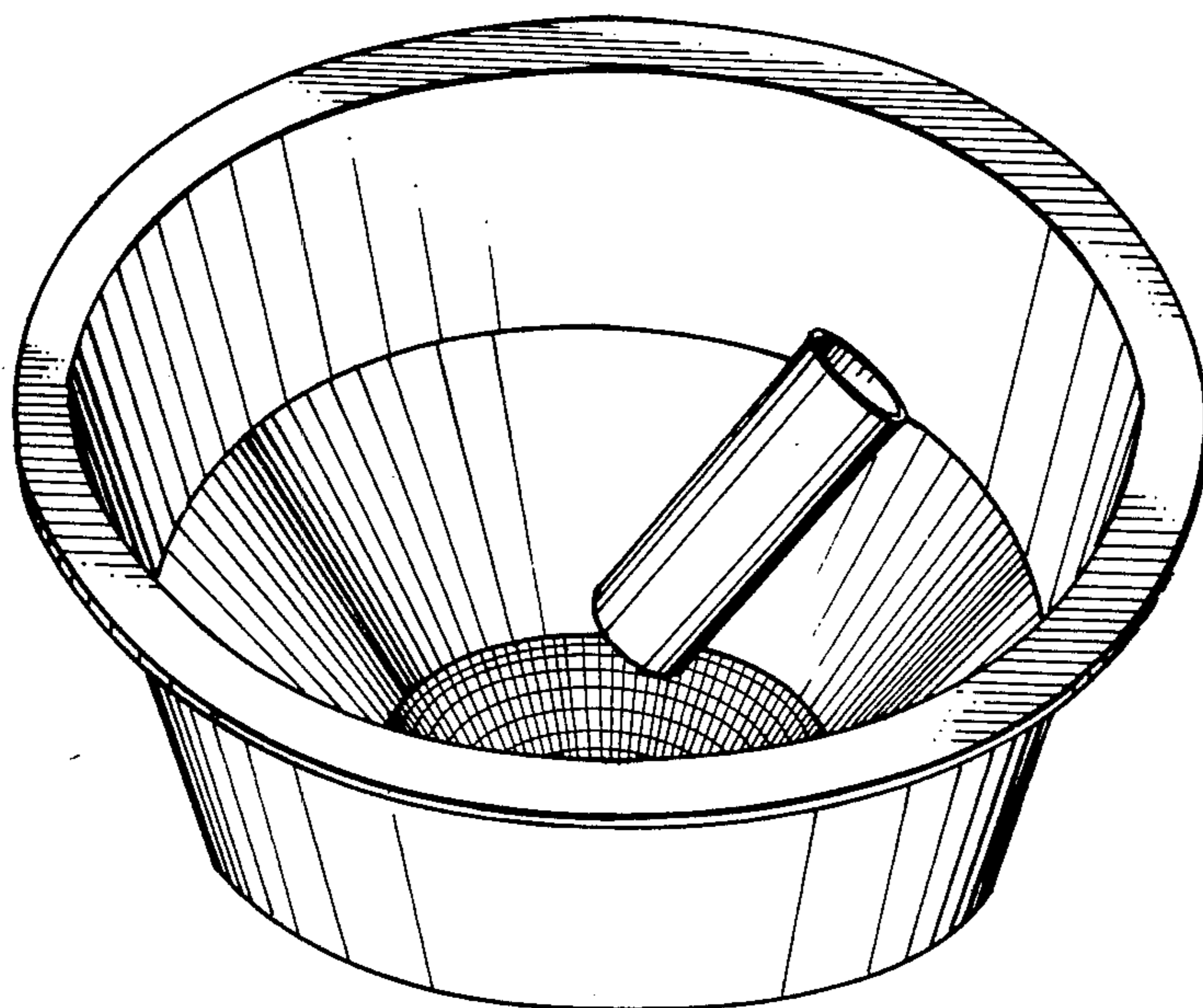


Fig. 2.

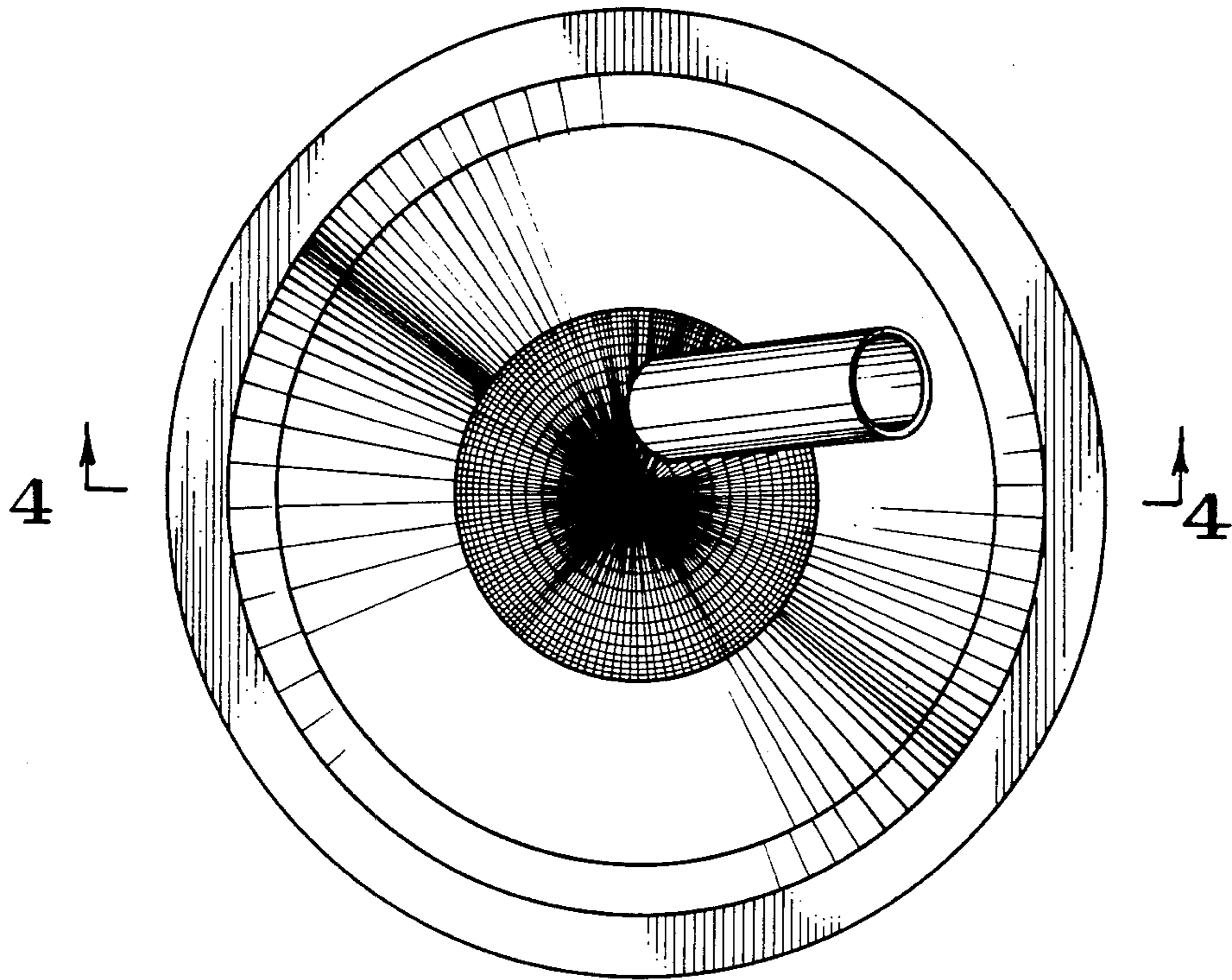


Fig. 3,

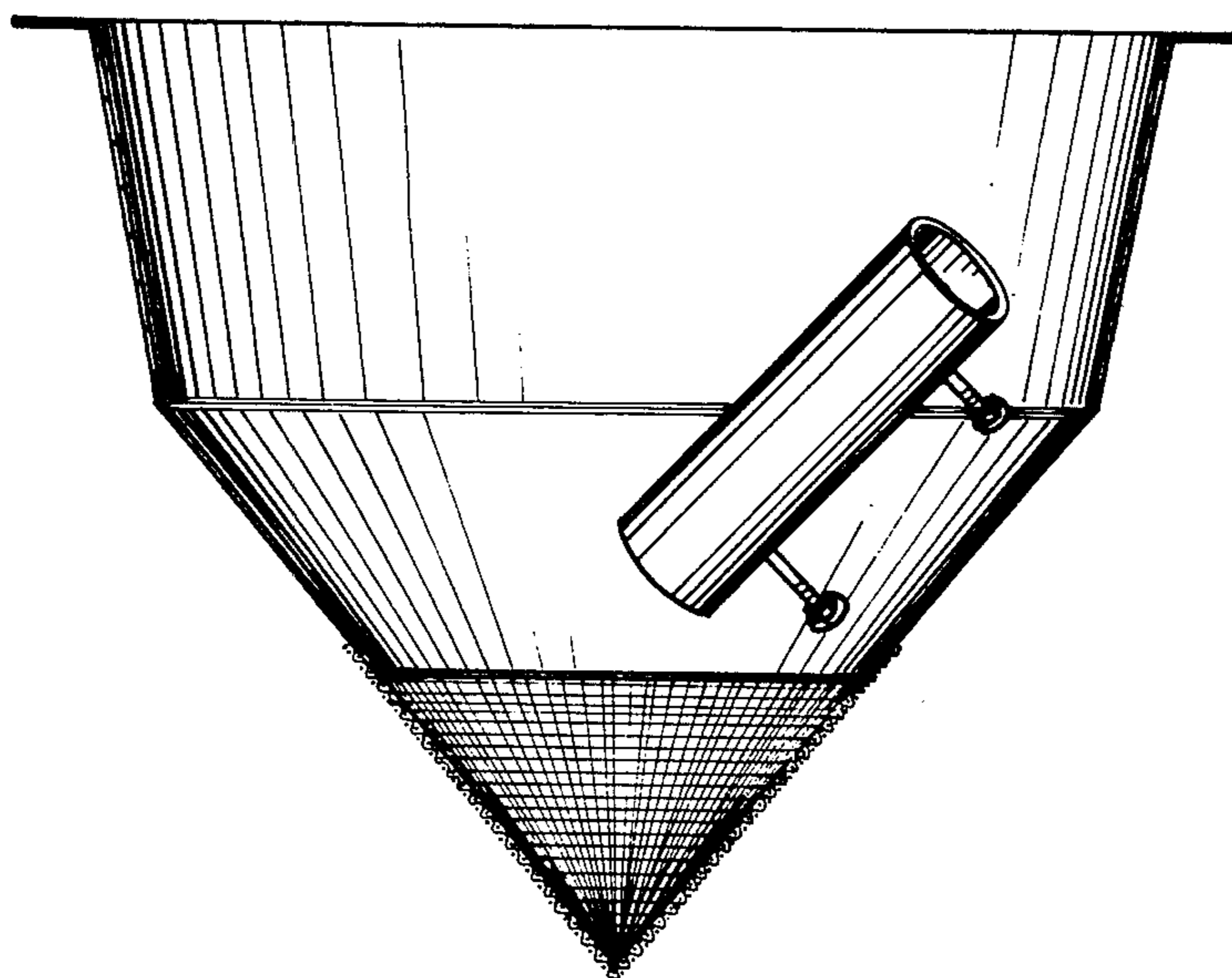


Fig. 4,