

[54] KALEIDOSCOPIC PROJECTOR

[75] Inventor: William C. Kinsinger, New York, N.Y.

[73] Assignee: Qantix Corporation, Flemington, N.J.

[**] Term: 14 Years

[21] Appl. No.: 657,067

[22] Filed: Feb. 11, 1976

[51] Int. Cl. D16-02

[52] U.S. Cl. D16/20

[58] Field of Search D16/11-26; 353/1, 2, 7, 22-27, 74, 77, 78, 81, 82, 119; 350/4, 5

[56] References Cited

U.S. PATENT DOCUMENTS

3,011,392	12/1961	Prochazka	350/5
3,255,661	6/1966	Marban	350/5
3,894,797	7/1975	Barowski et al.	353/119 X
D. 236,380	8/1975	Topfer	D16/11 X

D. 240,460 7/1976 Simonelli D16/14 X

FOREIGN PATENT DOCUMENTS

1,326,664 4/1963 France 353/119

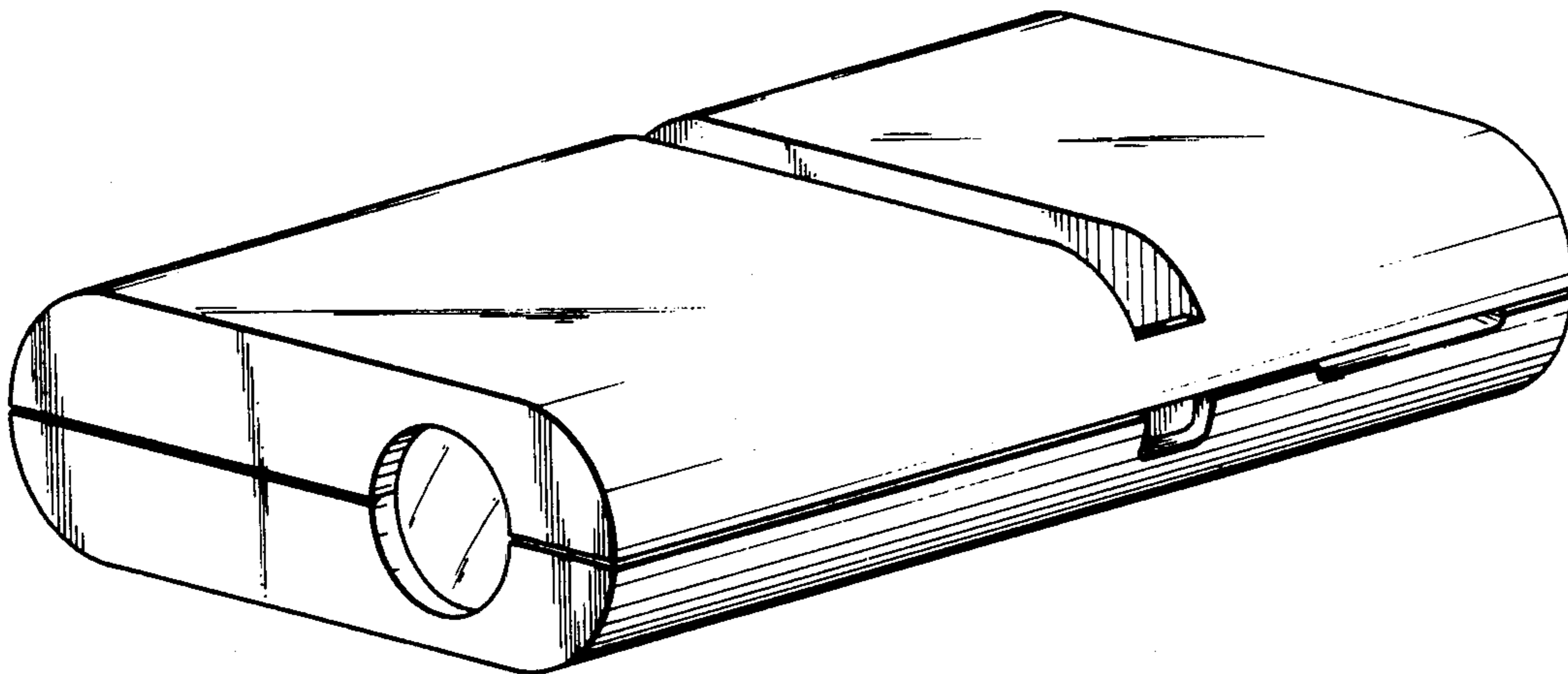
Primary Examiner—Wallace R. Burke
Assistant Examiner—Catherine Kemper
Attorney, Agent, or Firm—Lawrence I. Lerner

[57] CLAIM

The ornamental design for a kaleidoscopic projector, substantially as shown and described.

DESCRIPTION

FIG. 1 is a perspective view of a kaleidoscopic projector showing my new design;
FIG. 2 is a front elevational view thereof;
FIG. 3 is a rear elevational view thereof;
FIG. 4 is a left side elevational view thereof;
FIG. 5 is a right side elevational view thereof;
FIG. 6 is a top plan view thereof;
FIG. 7 is a bottom plan view thereof; and
The electrical cord has been shown fragmentarily in FIGS. 4 and 7 for convenience of illustration.



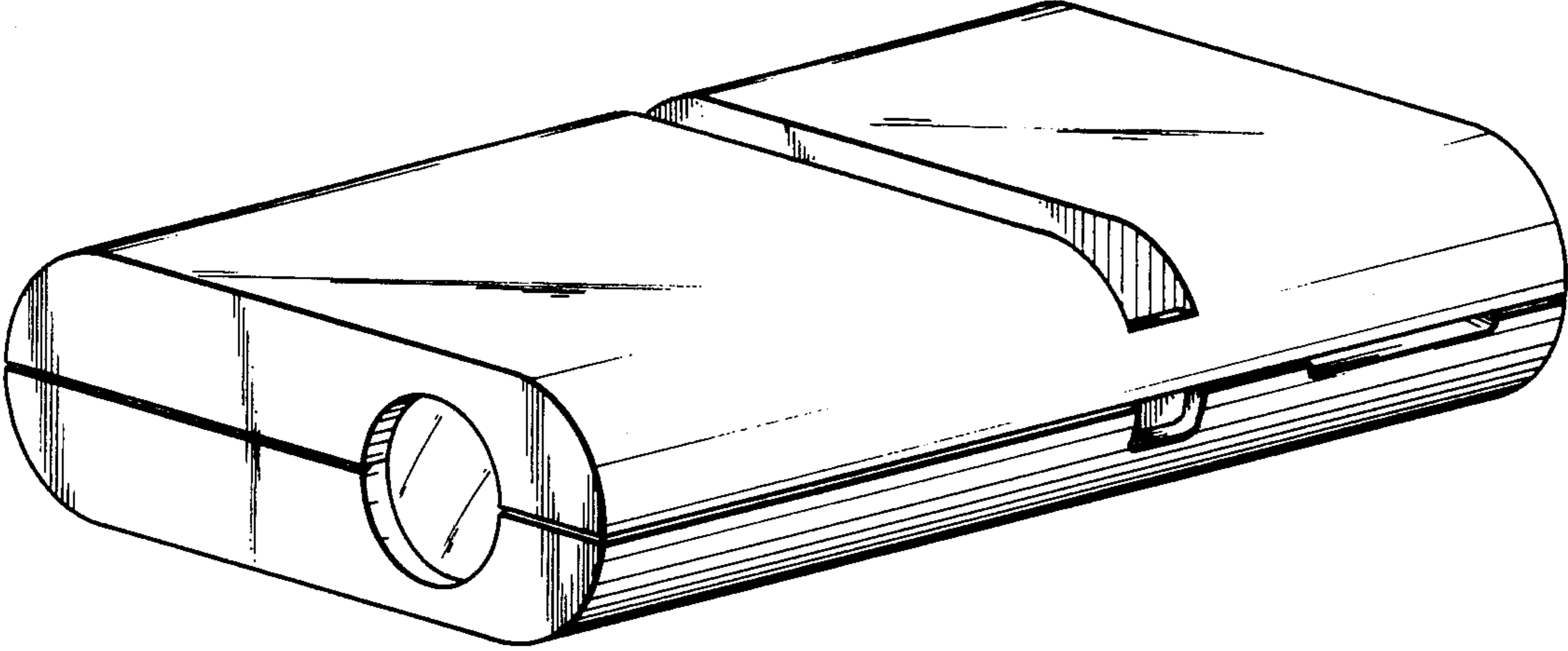


FIG. 1

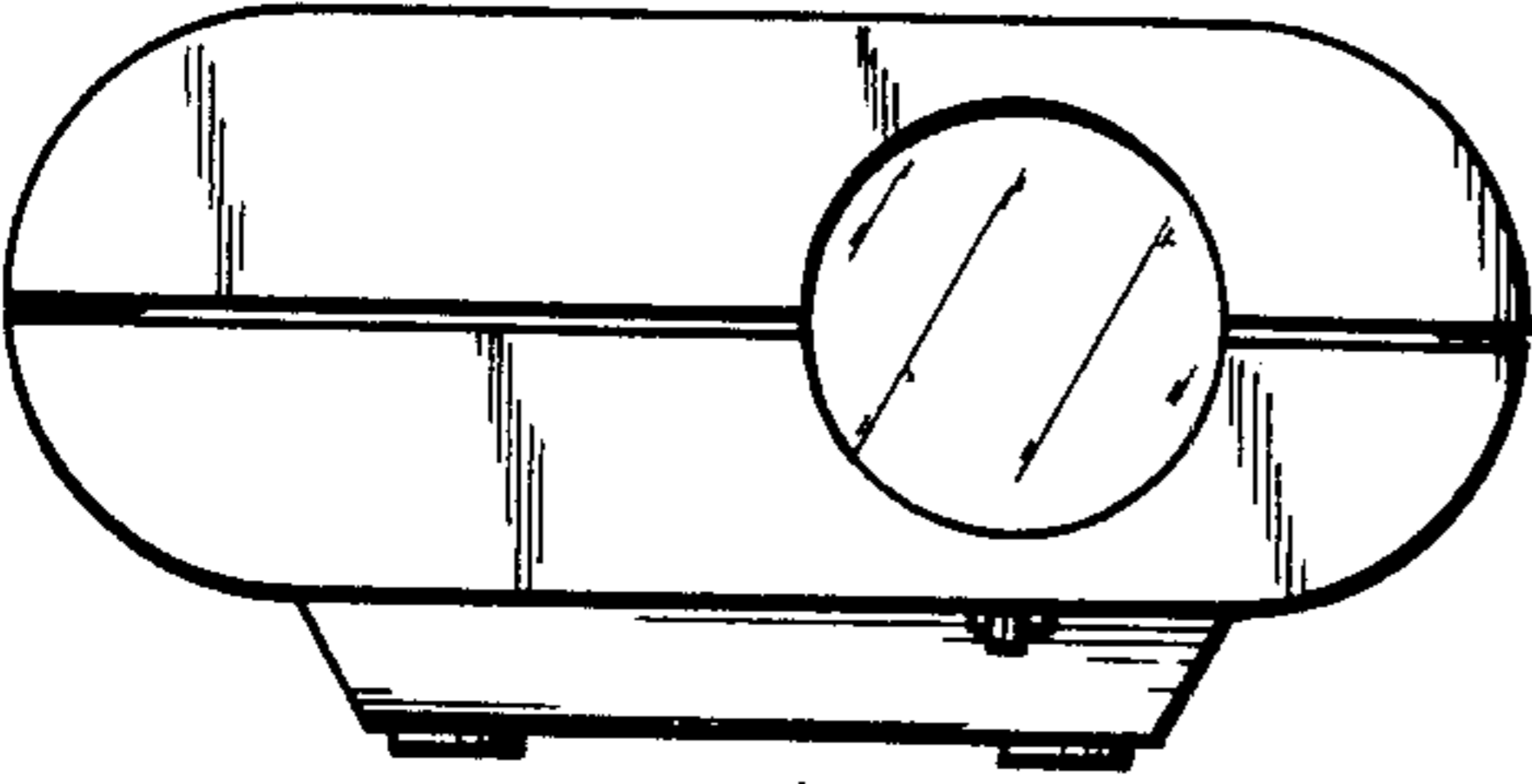


FIG. 2

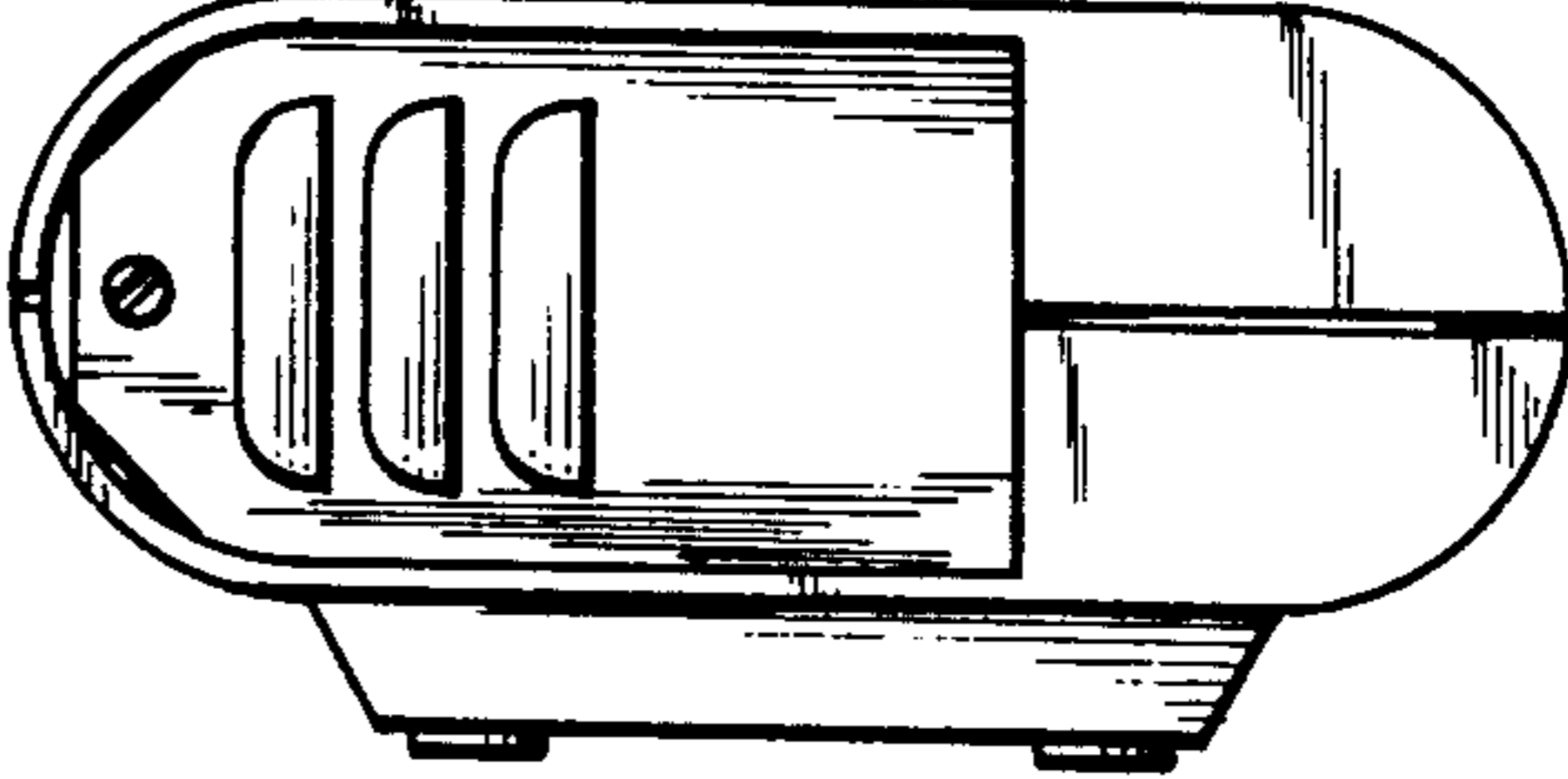


FIG. 3

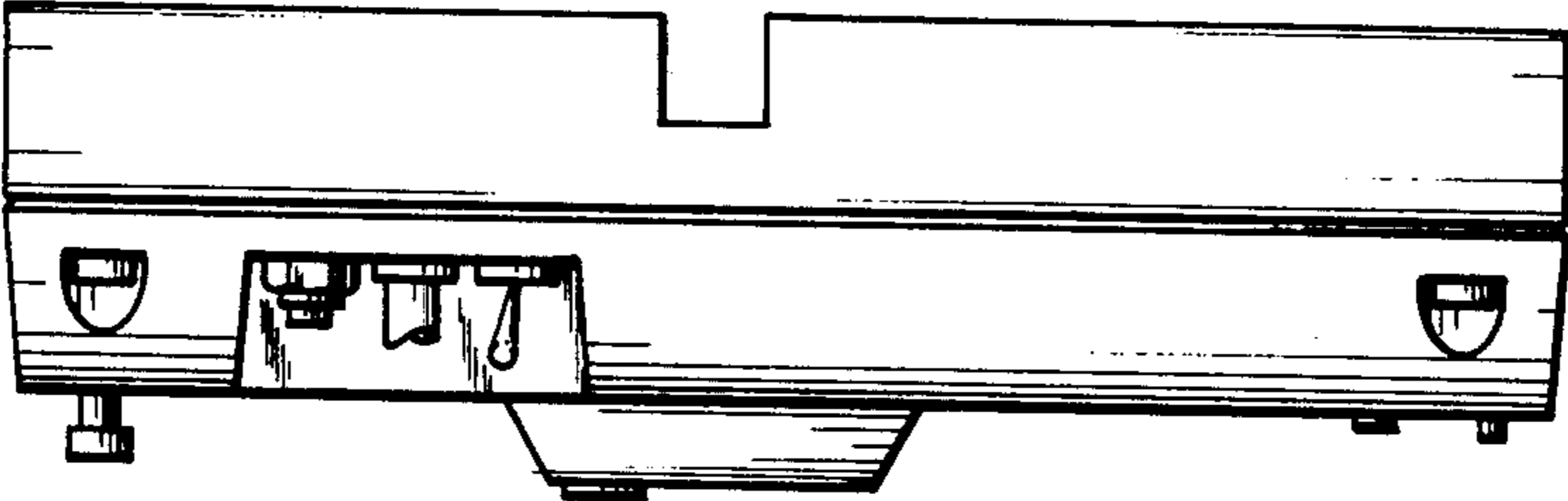


FIG. 4

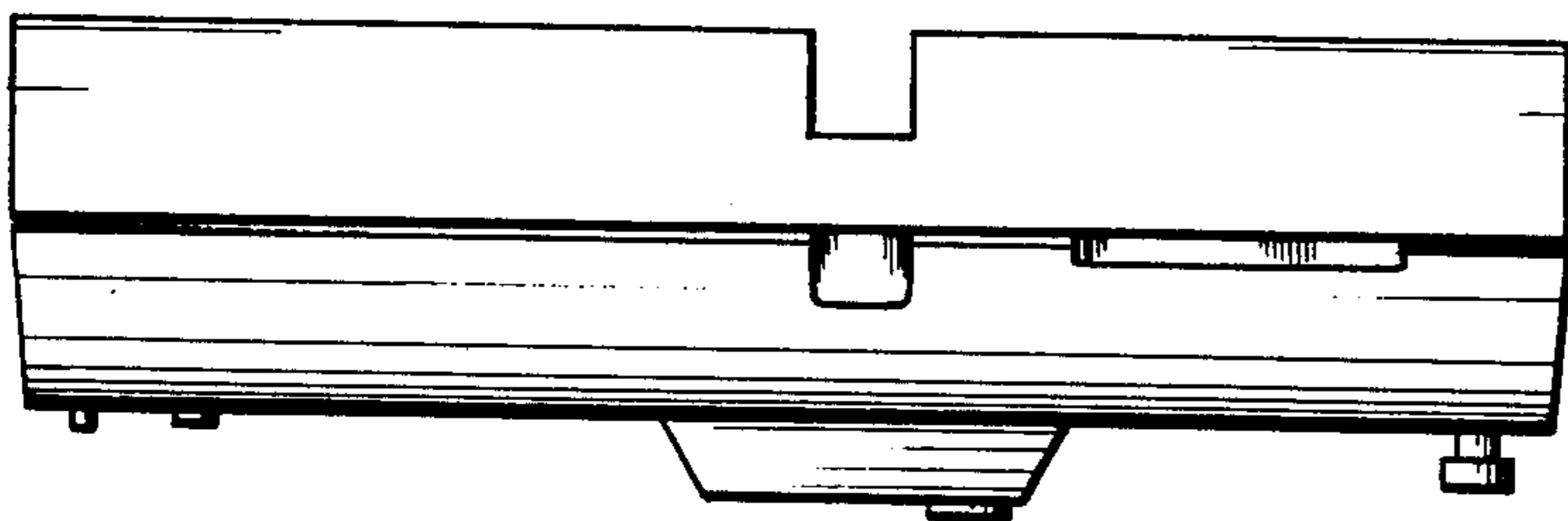


FIG. 5

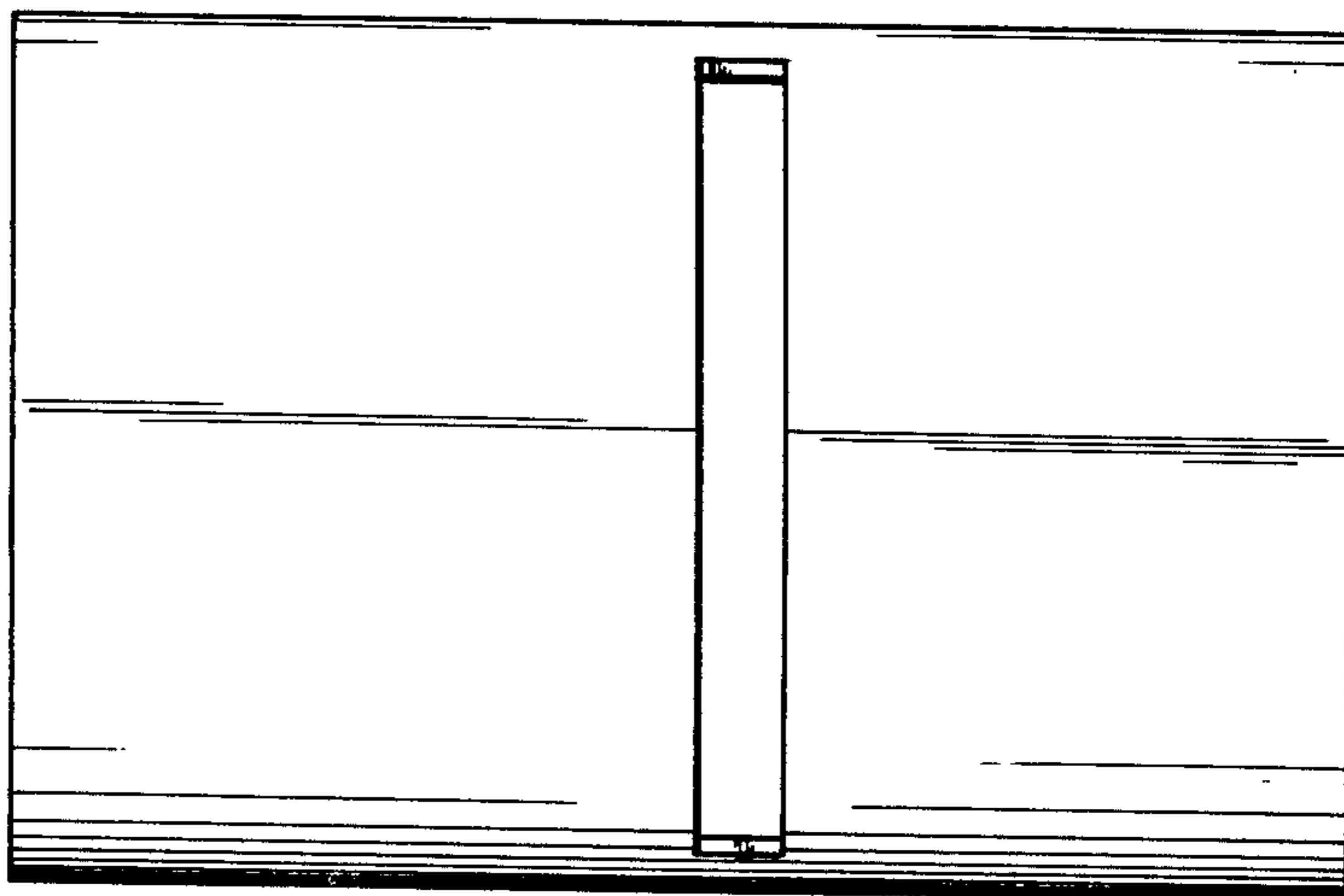


FIG. 6

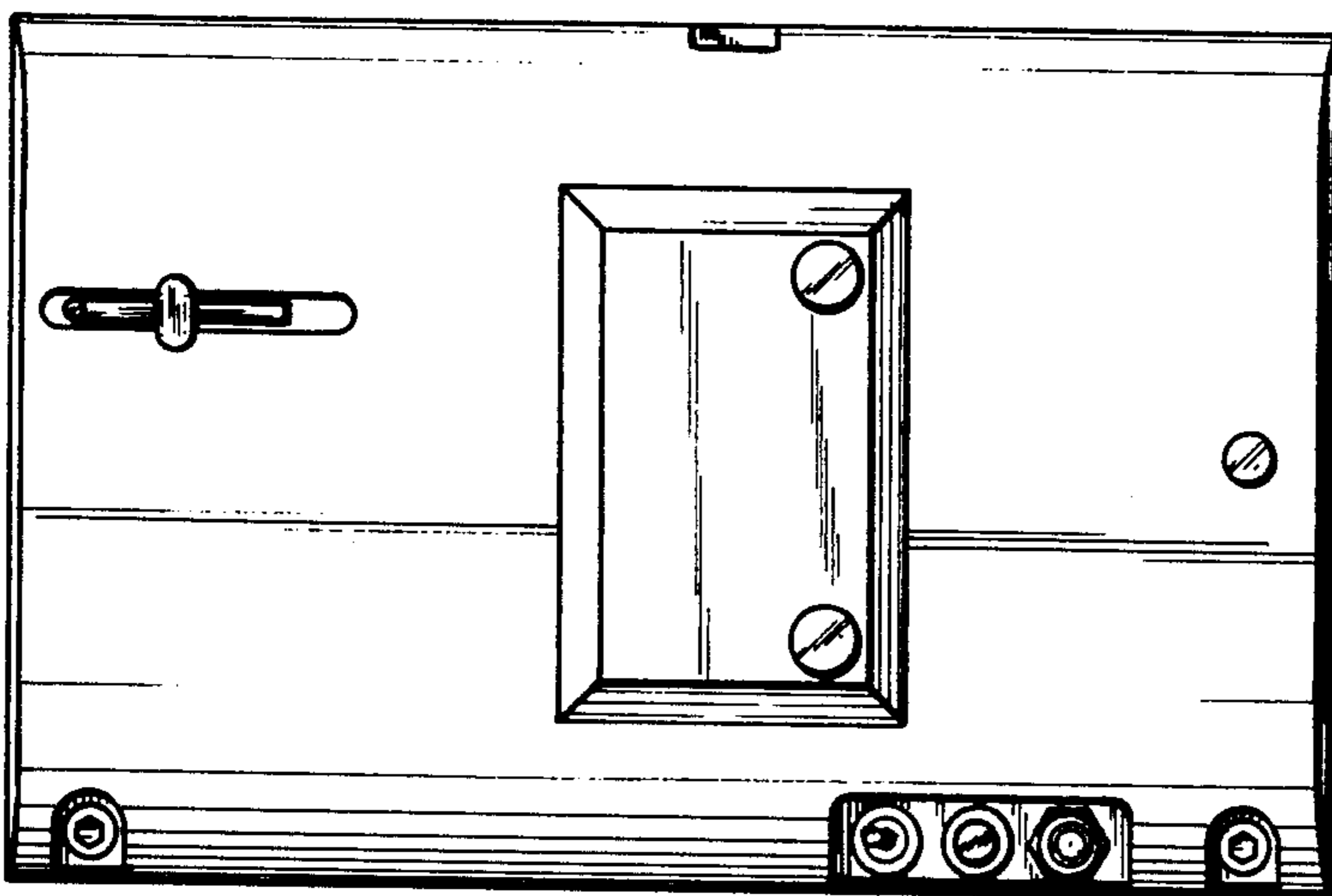


FIG. 7