

- [54] **CAB**
 [75] **Inventors:** Robert A. Skyer, Palatine; George E. Bowman, Country Club Hills, both of Ill.
 [73] **Assignee:** International Harvester Company
 [**] **Term:** 14 Years
 [21] **Appl. No.:** 716,739
 [22] **Filed:** Aug. 23, 1976

Related U.S. Application Data

- [63] Continuation-in-part of Ser. No. 610,704, Sept. 5, 1975, abandoned.
 [51] **Int. Cl.** D15-03
 [52] **U.S. Cl.** D15/30
 [58] **Field of Search** D15/30; D12/61; 180/1 F, 54 D, 89 R, 89 A; 296/1 R, 28 R, 28 C

[56] **References Cited**

U.S. PATENT DOCUMENTS

- 3,397,008 8/1968 Timmerman 296/28 C
 D. 229,046 11/1973 Purcell et al. D40/5 A

OTHER PUBLICATIONS

Implement & Tractor, 2/7/75, p. 20, Continental Cab, top right side of page.
 Implement & Tractor, 3/7/75, p. 49, International Harvester Cabs, top left side of page.
 Agricultural Machinery Journal, 5/75, p. 64, Tractor Cab, top right side of page.

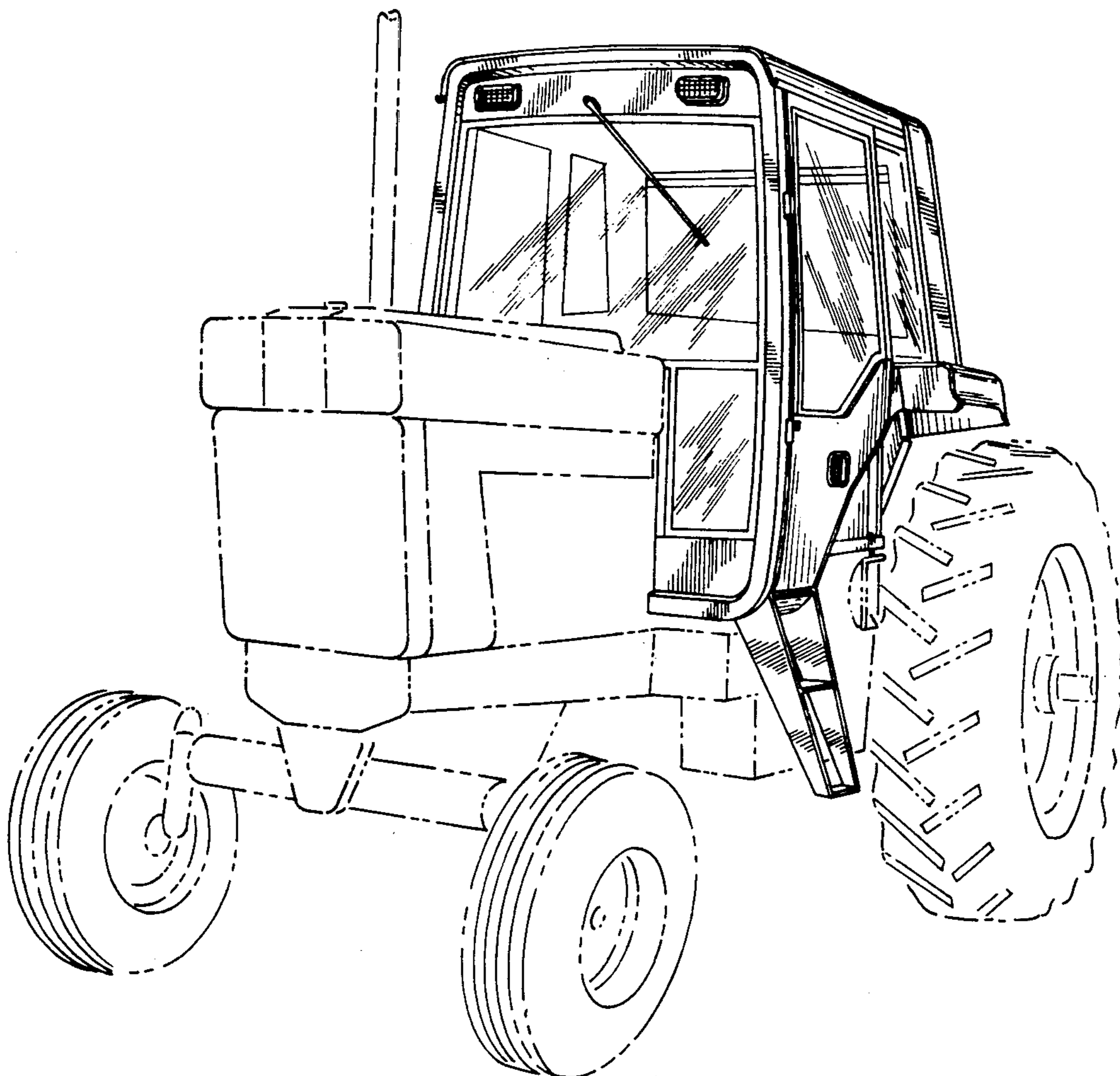
Primary Examiner—Wallace R. Burke
Assistant Examiner—James M. Gandy
Attorney, Agent, or Firm—Floyd B. Harman

[57] **CLAIM**

The ornamental design for a cab, substantially as shown and described.

DESCRIPTION

FIG. 1 is a perspective view as seen from the left front of the cab embodying our new design, the broken lines being for illustrative purposes only;
 FIG. 2 is a front elevation view thereof;
 FIG. 3 is a left side perspective view thereof, the right side of the cab is a mirror image of the left side shown herein;
 FIG. 4 is a rear elevation view thereof; and
 FIG. 5 is a top plan view thereof.



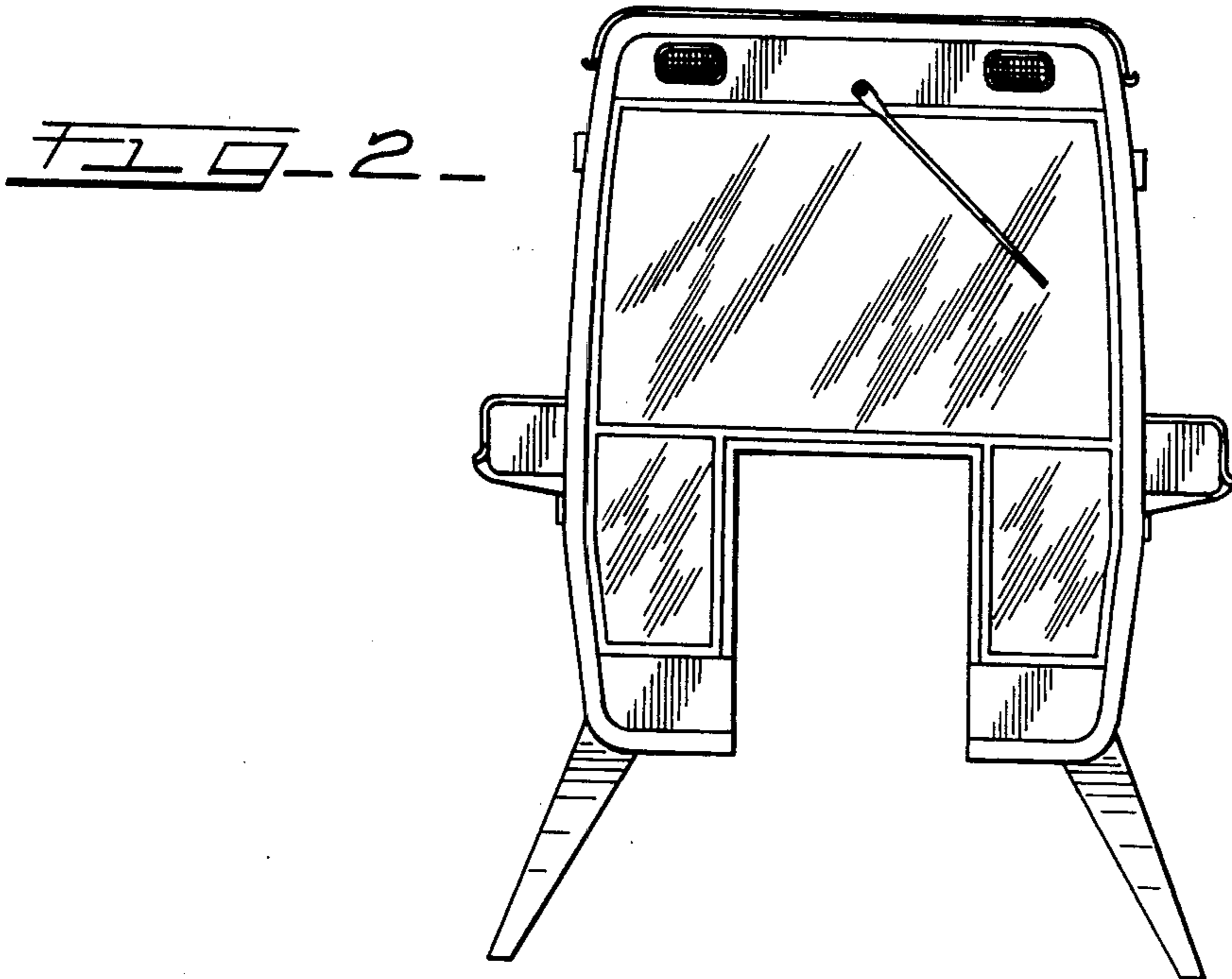
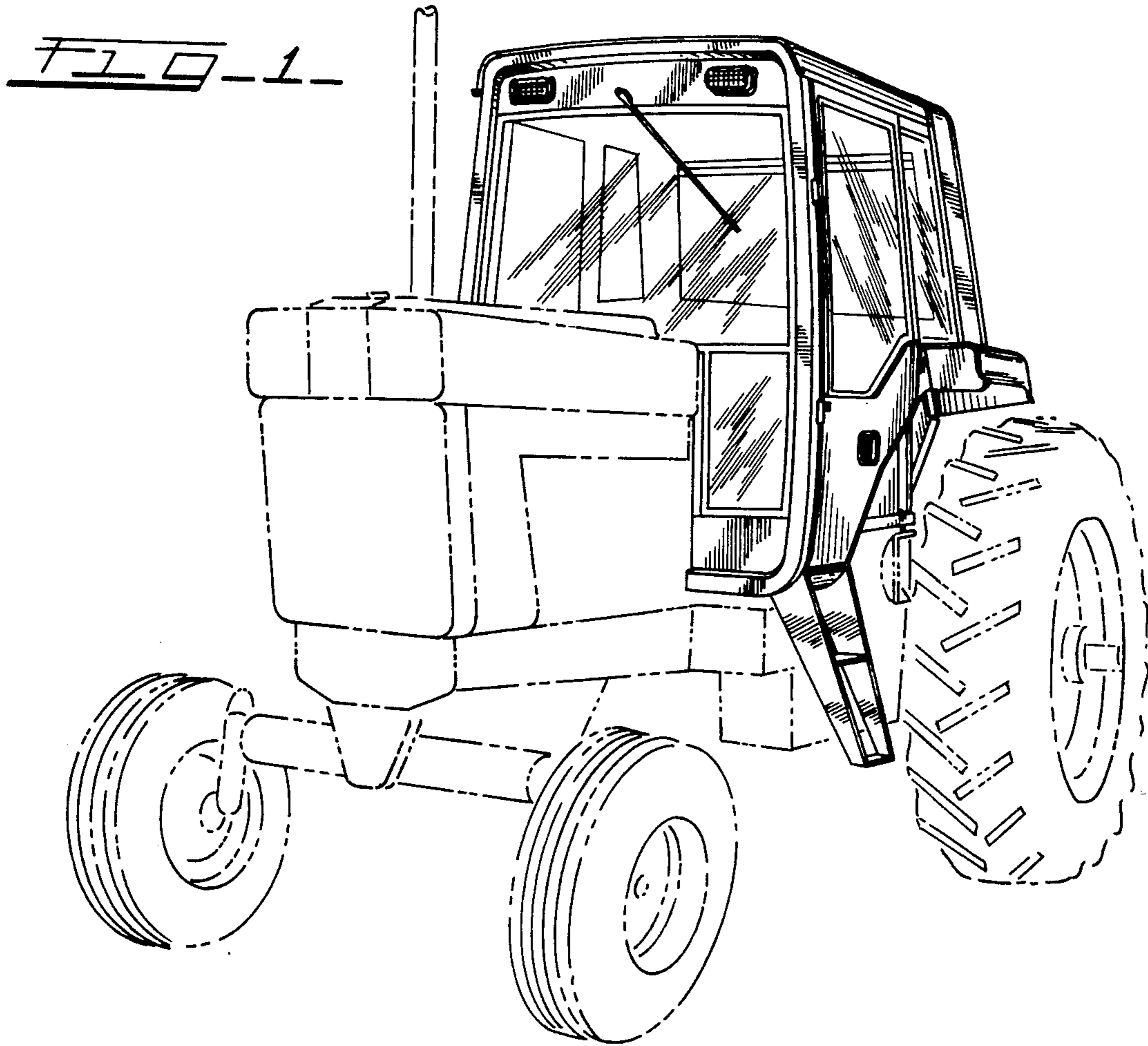


FIG. 3.

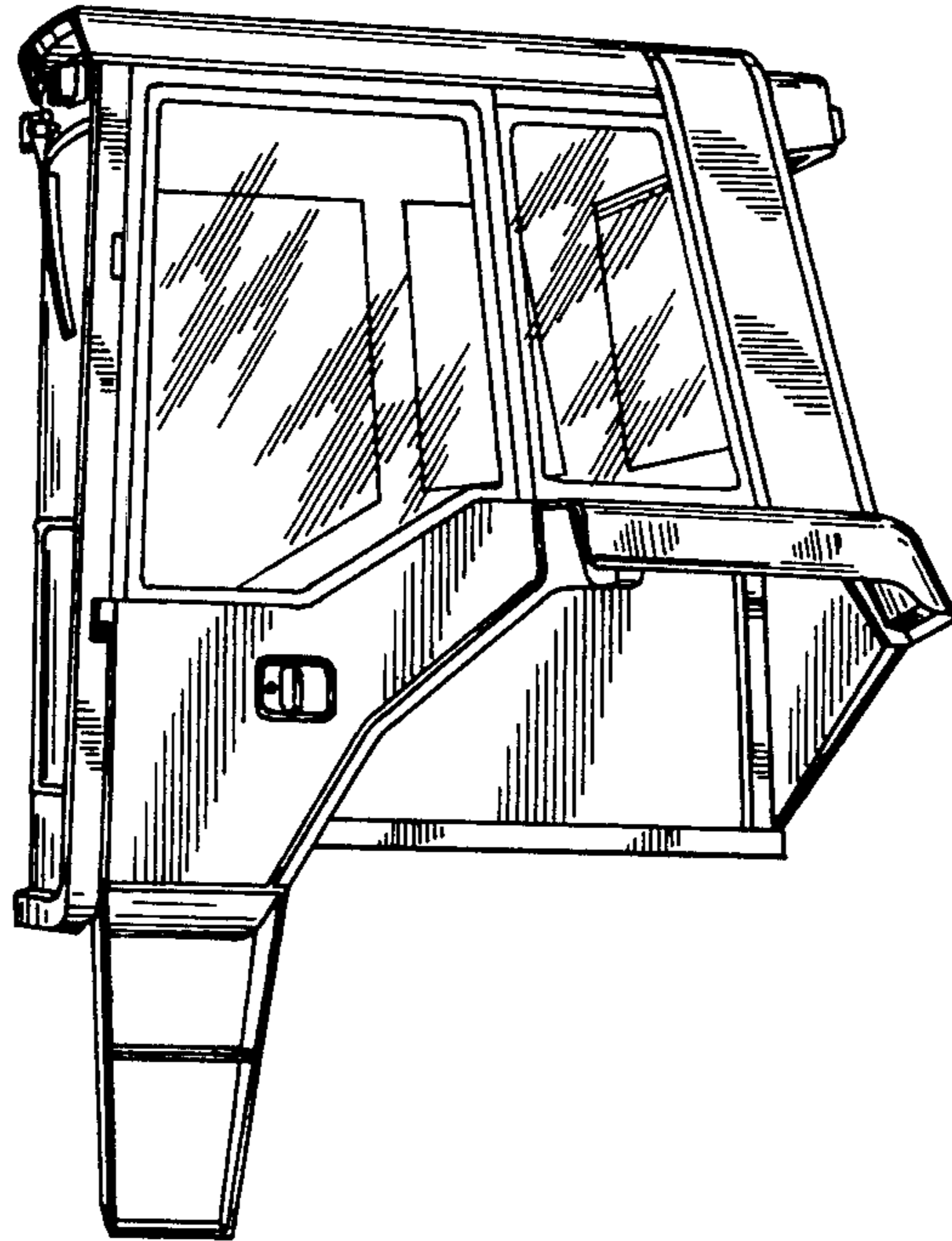


FIG. 4.

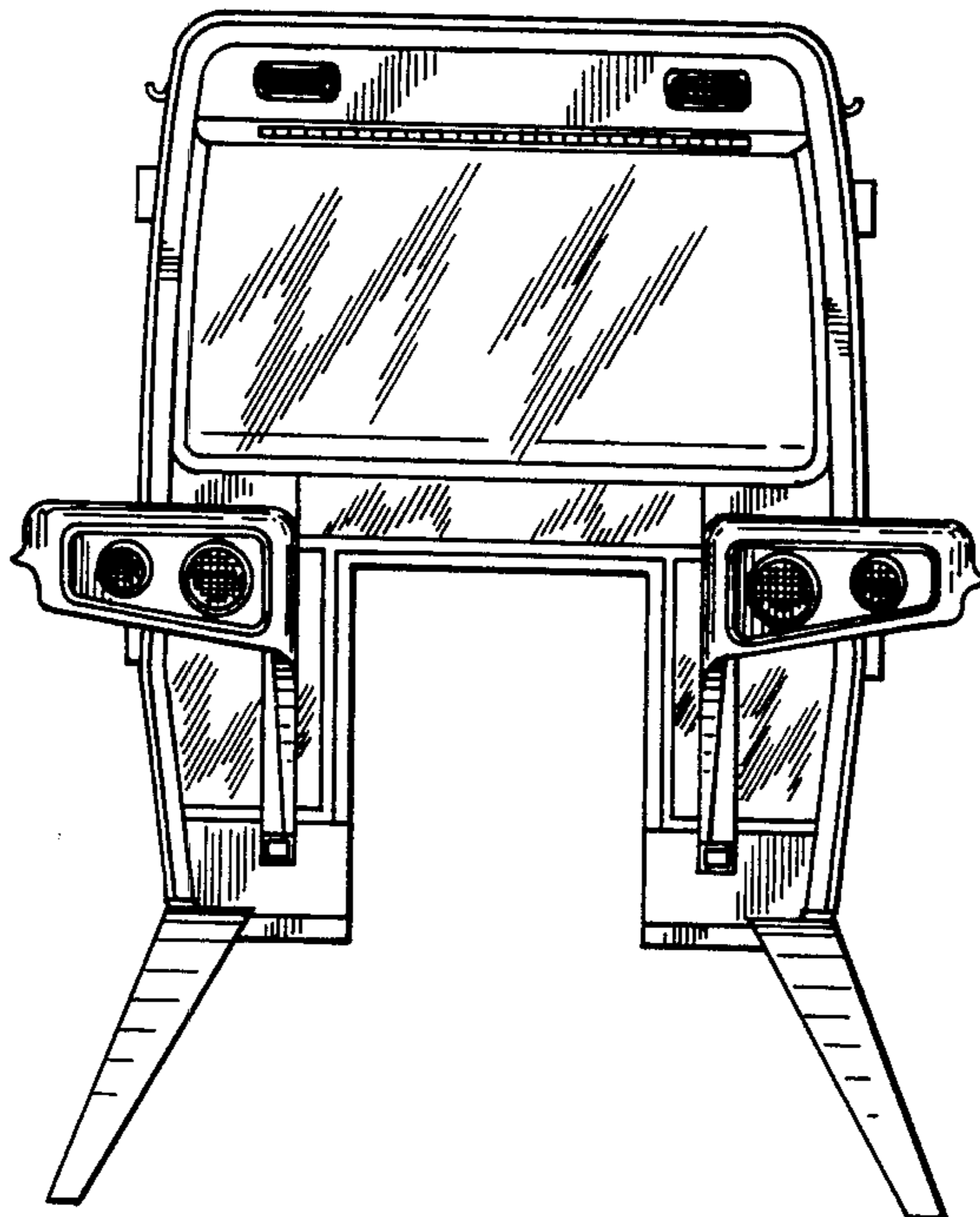


FIG. 5

