

[54] HYDRAULIC RESET GROUND RIPPER IMPLEMENT

[75] Inventor: Clifford V. Watts, McMinnville, Oreg.

[73] Assignee: Watts Plow Company of Oregon, Inc., McMinnville, Oreg.

[\*\*] Term: 14 Years

[21] Appl. No.: 715,438

[22] Filed: Aug. 18, 1976

[51] Int. Cl. .... D15-03

[52] U.S. Cl. .... D15/11

[58] Field of Search ..... D15/27, 11; 172/699, 172/700, 261, 464, 196, 491, 265-268, 474, 475, 657, 690, 694, 695

[56] References Cited

U.S. PATENT DOCUMENTS

3,450,212	6/1969	Sylvester .....	172/699
3,752,092	8/1973	Vinyard .....	172/261
D. 216,143	11/1969	Cline .....	D15/11

OTHER PUBLICATIONS

Implement & Tractor Product File Issue, Mar. 31, 1976, p. 146, Chisel Type V-Plow, top left side of page.

Implement & Tractor, Mar. 31, 1976, p. 168, Deep Till, top left side of page.

Agricultural Machinery Journal, Apr. 1974, Chisel Plow V-Frame, top right side of page.

Implement & Tractor, May 21, 1976, p. 30, Chisel Plow, bottom left side of page.

Implement & Tractor, Aug. 21, 1975, p. 5, Brillion Sub-Soiler, bottom left side of page.

Primary Examiner—Wallace R. Burke

Assistant Examiner—James M. Gandy

Attorney, Agent, or Firm—Oliver D. Olson

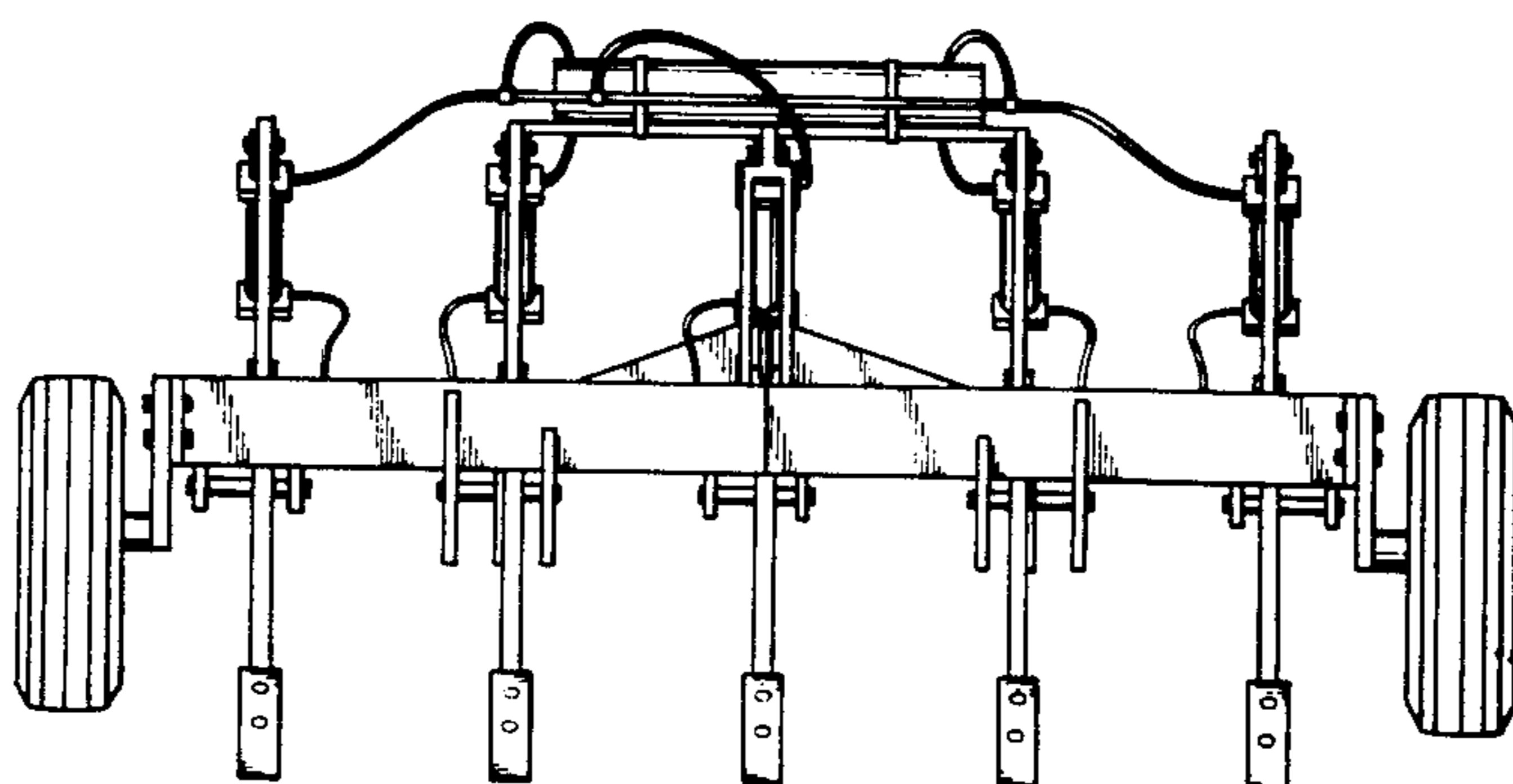
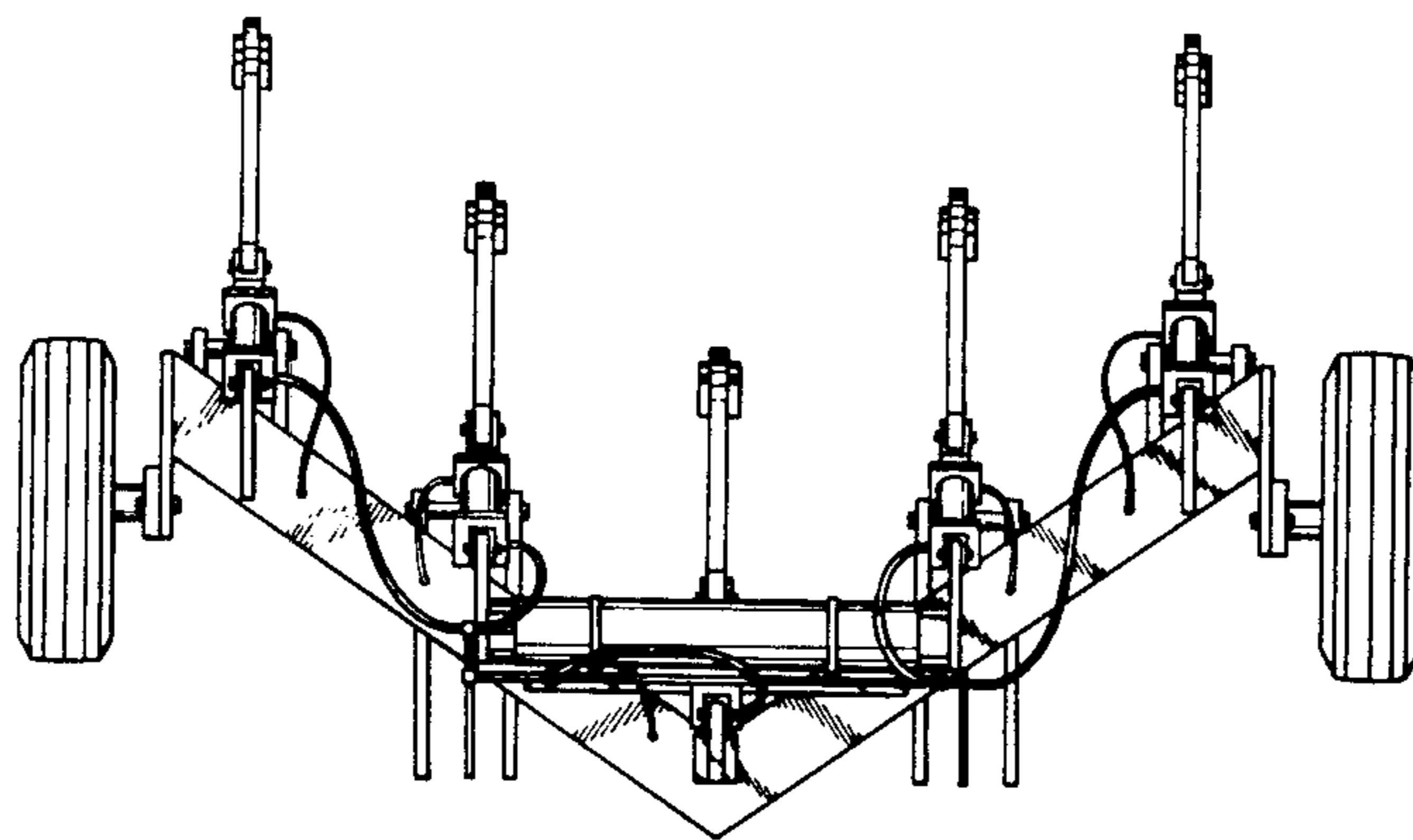
[57] CLAIM

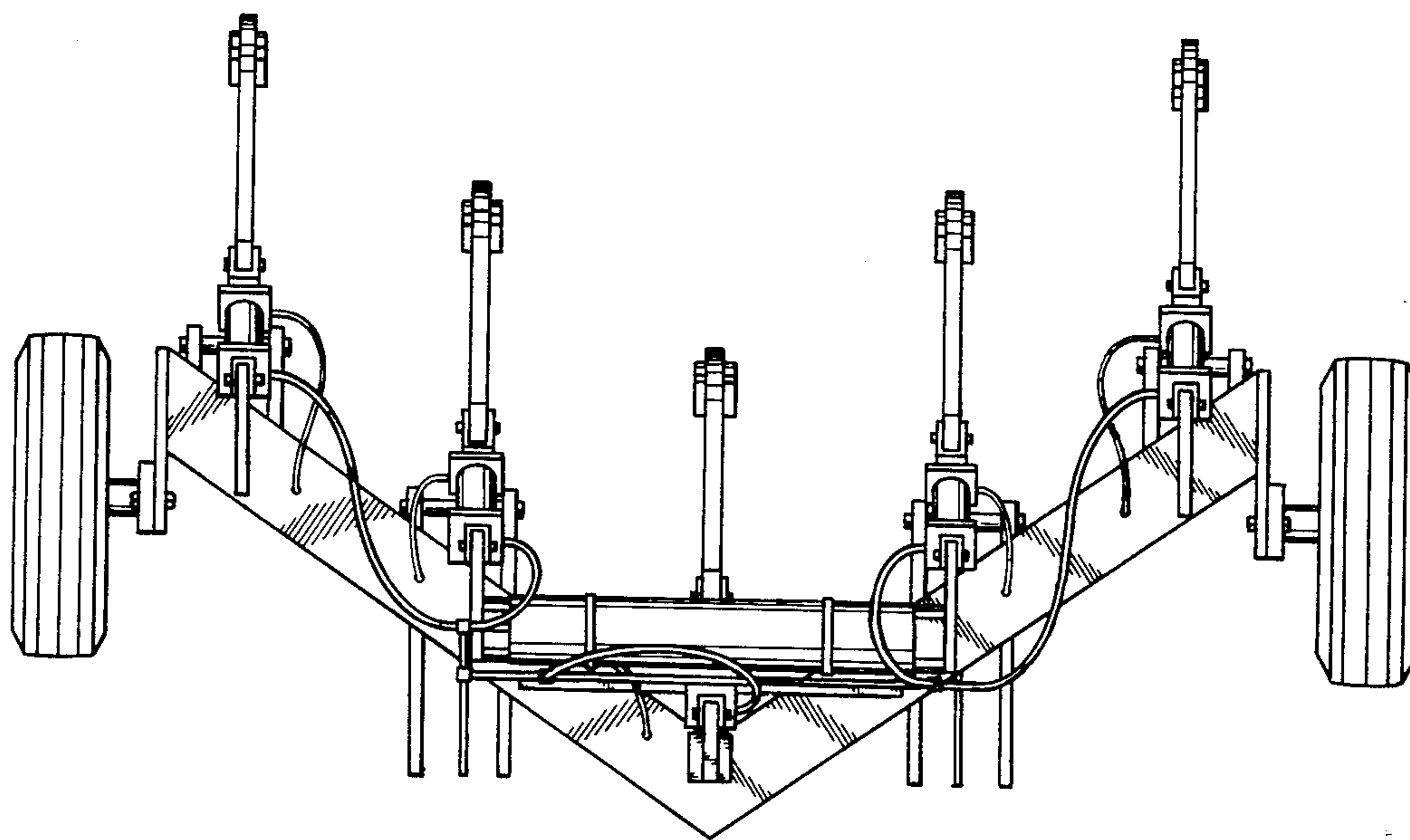
The ornamental design for an hydraulic reset ground ripper implement, as shown and described.

DESCRIPTION

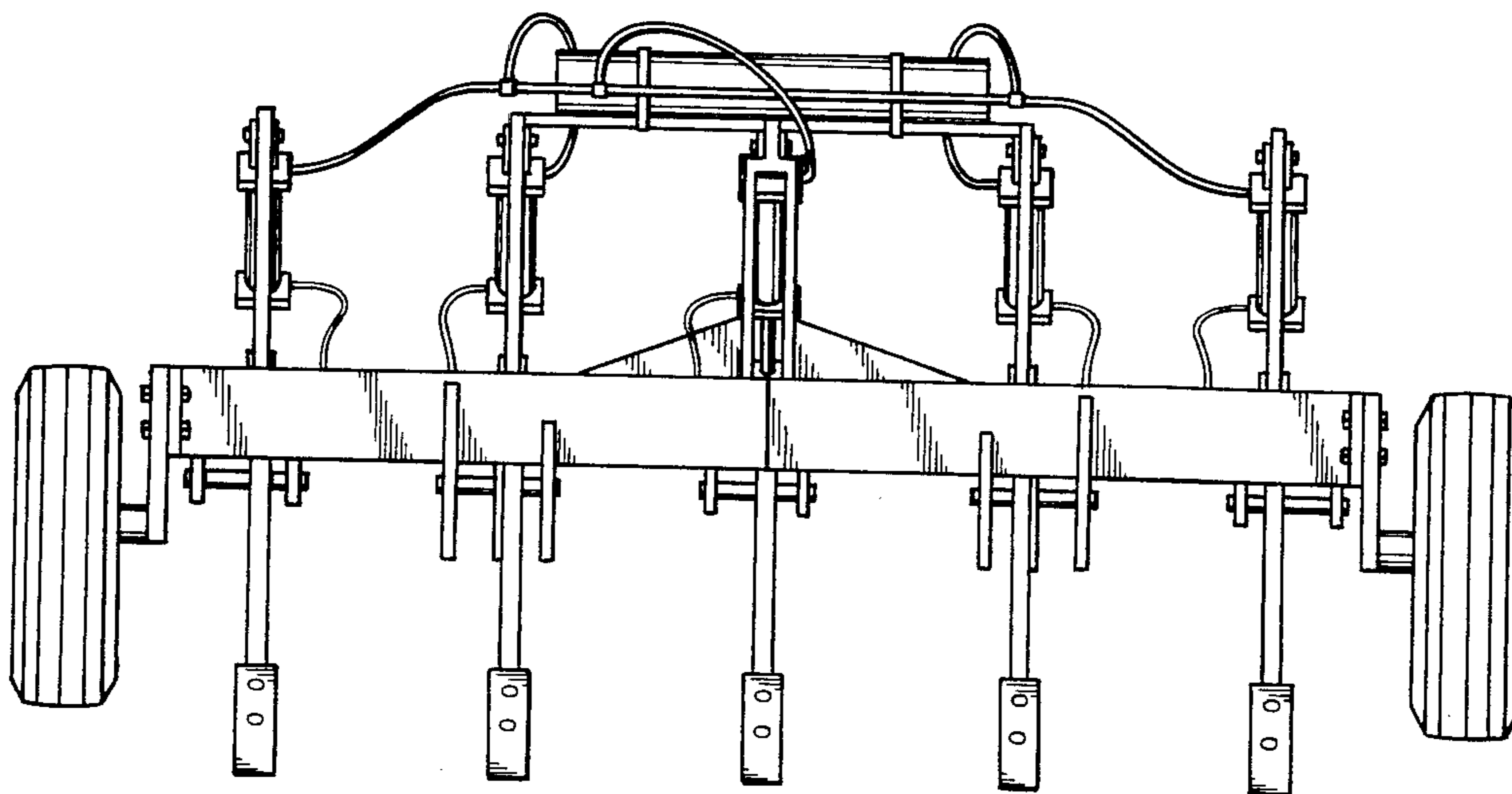
FIG. 1 is a top plan view of a hydraulic reset ground ripper implement showing my new design; FIG. 2 is a front elevational view thereof; FIG. 3 is a rear elevational view thereof; FIG. 4 is a bottom plan view thereof; FIG. 5 is a left side elevational view thereof, the right side being a mirror image of the left side shown herein; and

FIG. 6 is a top plan view of a hydraulic reset ground ripper implement showing a second embodiment of my new design, the difference being in the length of the V-shaped support frame and the addition of two ripper elements.





*Fig. 1.*



*Fig. 2.*

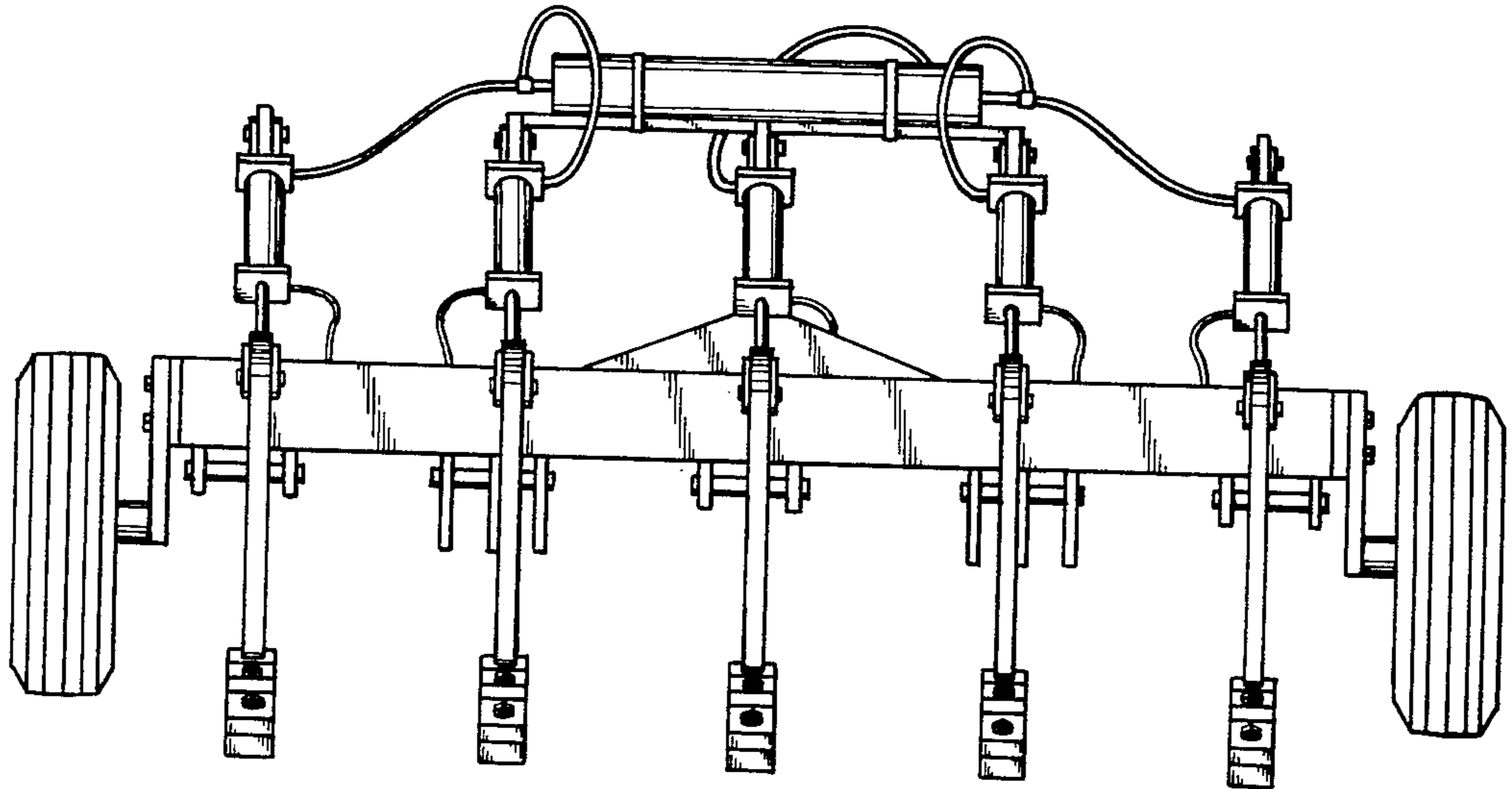


Fig. 3.

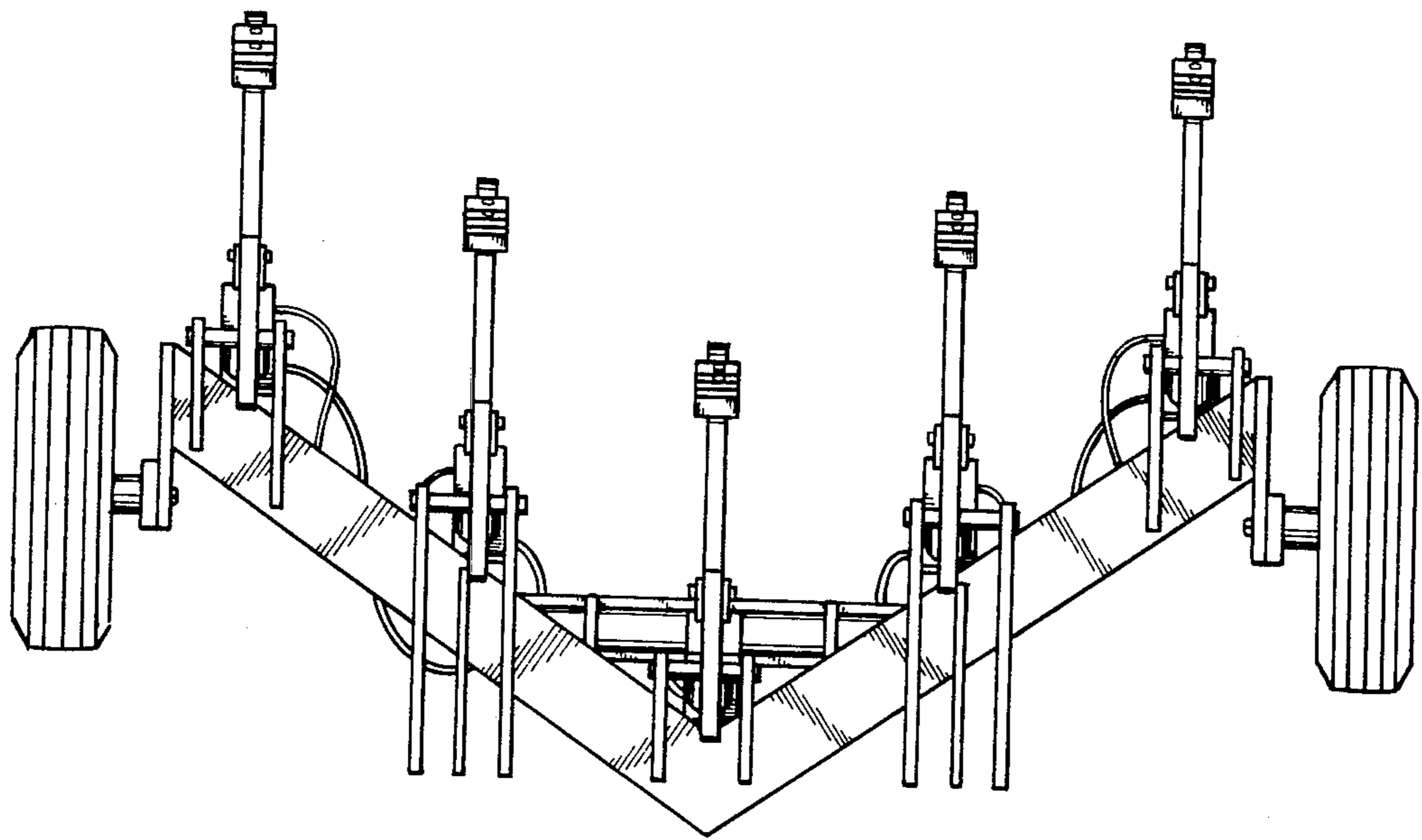


Fig. 4.

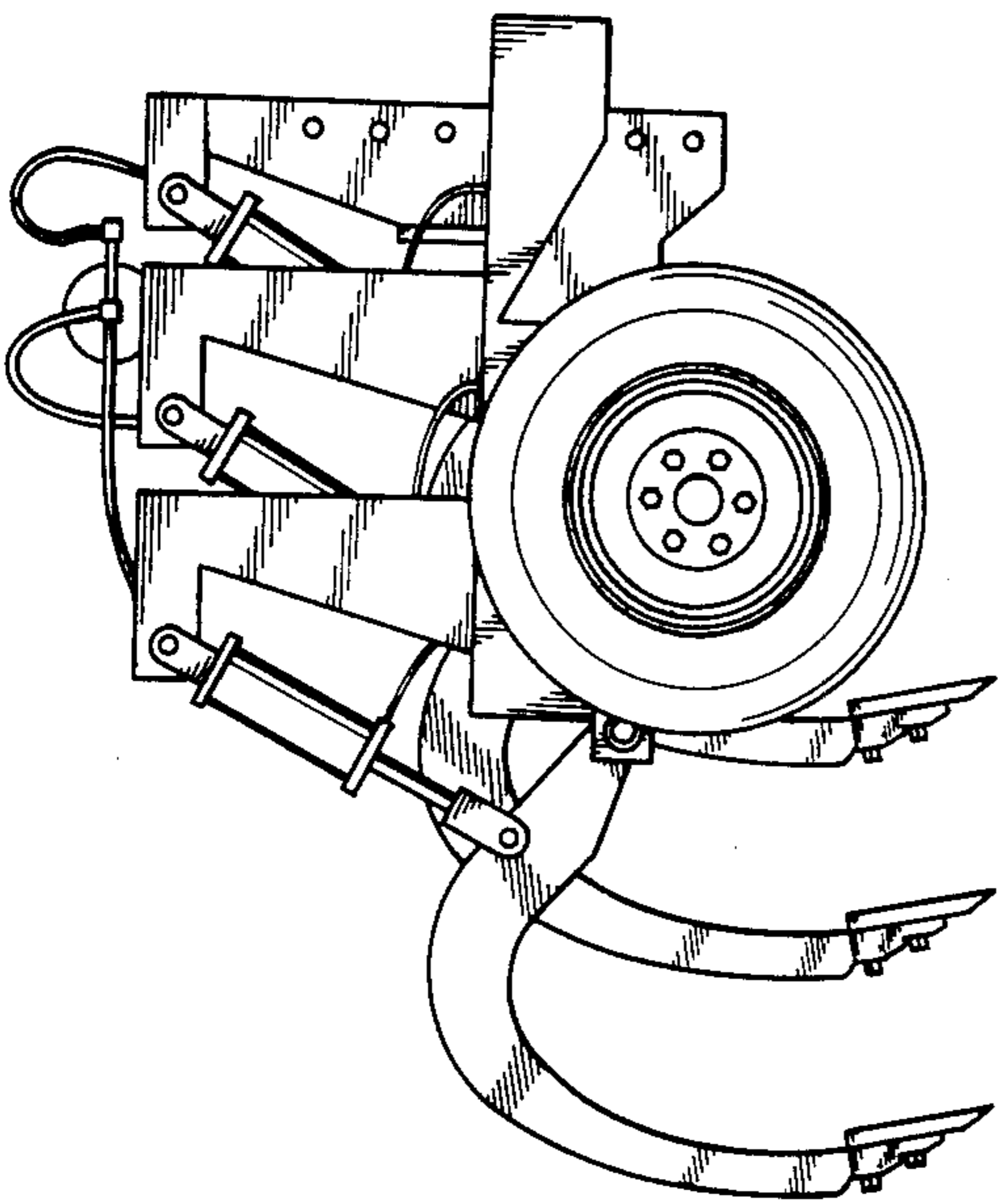


Fig. 5.

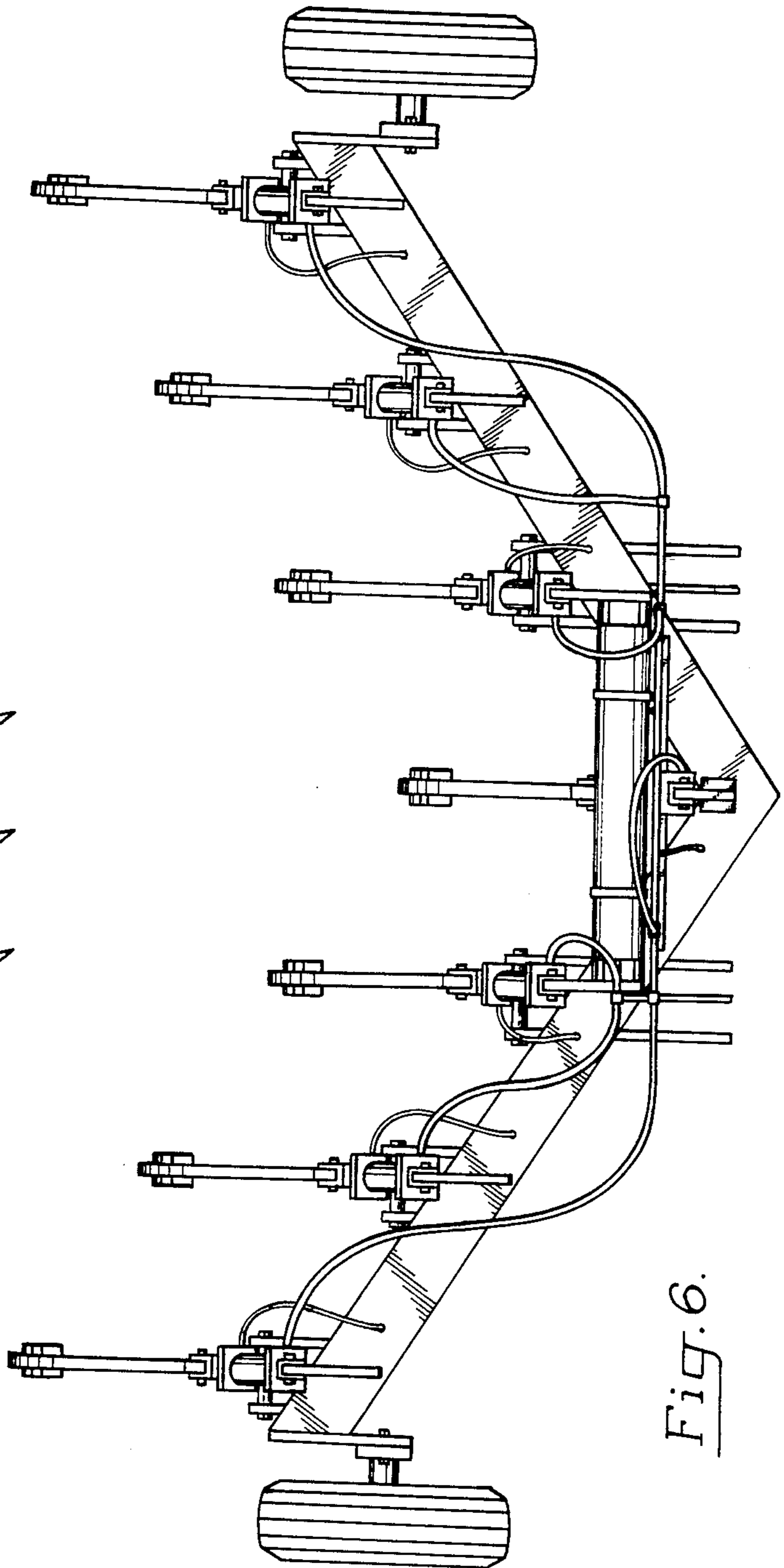


Fig. 6.