

[54] TRANSMITTING ANTENNA

[76] Inventor: **Richard D. Bogner**, 4 Hunters Lane, Roslyn, N.Y. 11576

[**] Term: **14 Years**

[21] Appl. No.: **657,581**

[22] Filed: **Feb. 12, 1976**

[51] Int. Cl. **D14-03**

[52] U.S. Cl. **D14/86**

[58] Field of Search **D14/86, 87, 88, 89; 343/770, 771, 908, 956, 914, 912, 833, 727, 730, 744**

3,435,380 3/1969 Billon et al. 343/756 X

3,821,745 6/1974 Bogner 343/770

D. 167,966 10/1952 Berney D14/86

D. 211,793 7/1968 Sillman D14/86

Primary Examiner—Bernard Ansher
Attorney, Agent, or Firm—Jerome Bauer

[57] CLAIM

The ornamental design for a transmitting antenna, as shown.

DESCRIPTION

FIG. 1 is a front elevational view of a transmitting antenna showing my new design;

FIG. 2 is a rear elevational view thereof;

FIG. 3 is a left side elevational view thereof;

FIG. 4 is a right side elevational view thereof;

FIG. 5 is a top plan view thereof; and

FIG. 6 is a bottom plan view thereof.

[56] **References Cited**

U.S. PATENT DOCUMENTS

2,512,511 6/1950 Weighton 343/796

3,409,893 11/1968 Siukola 343/908 X

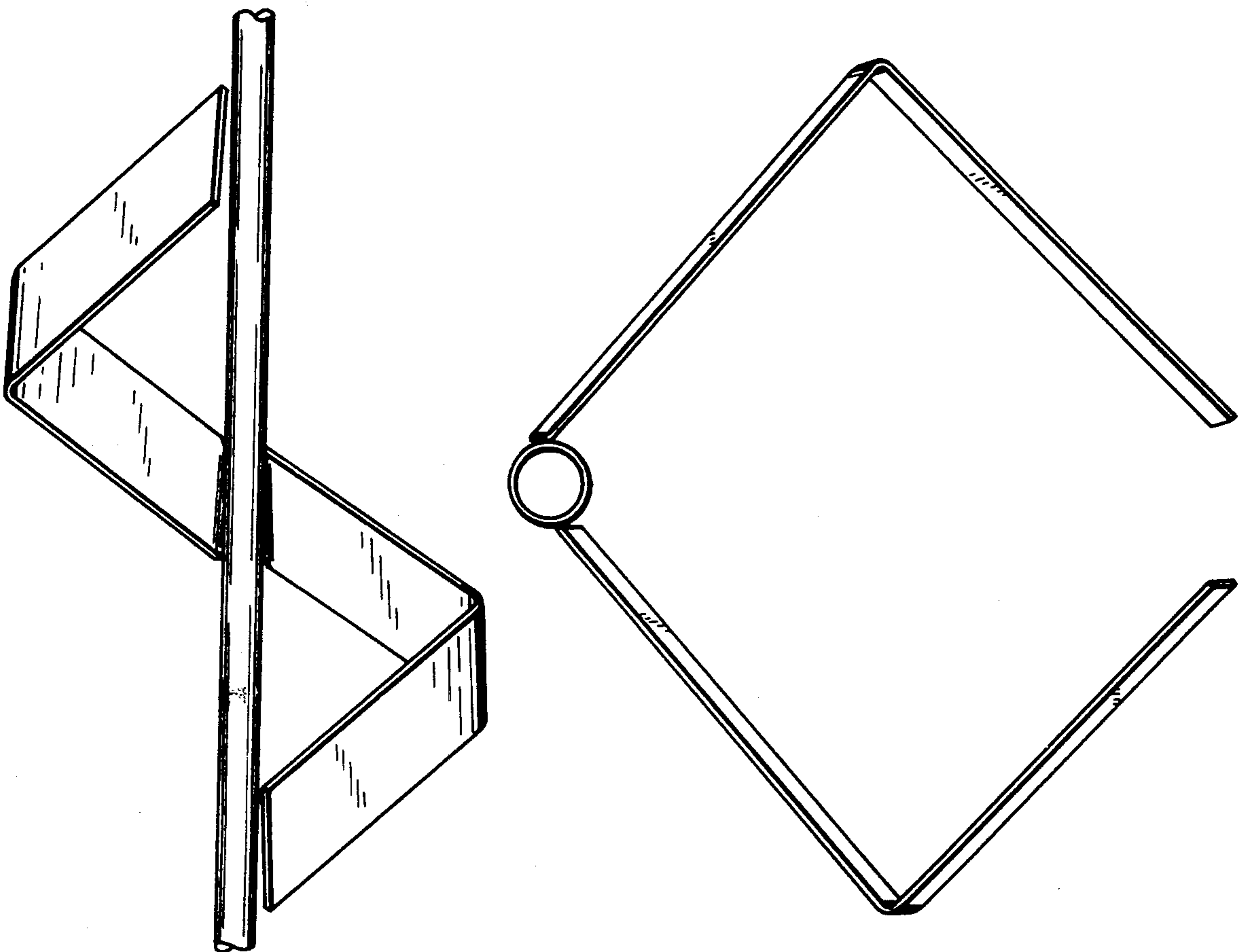


FIG. 1

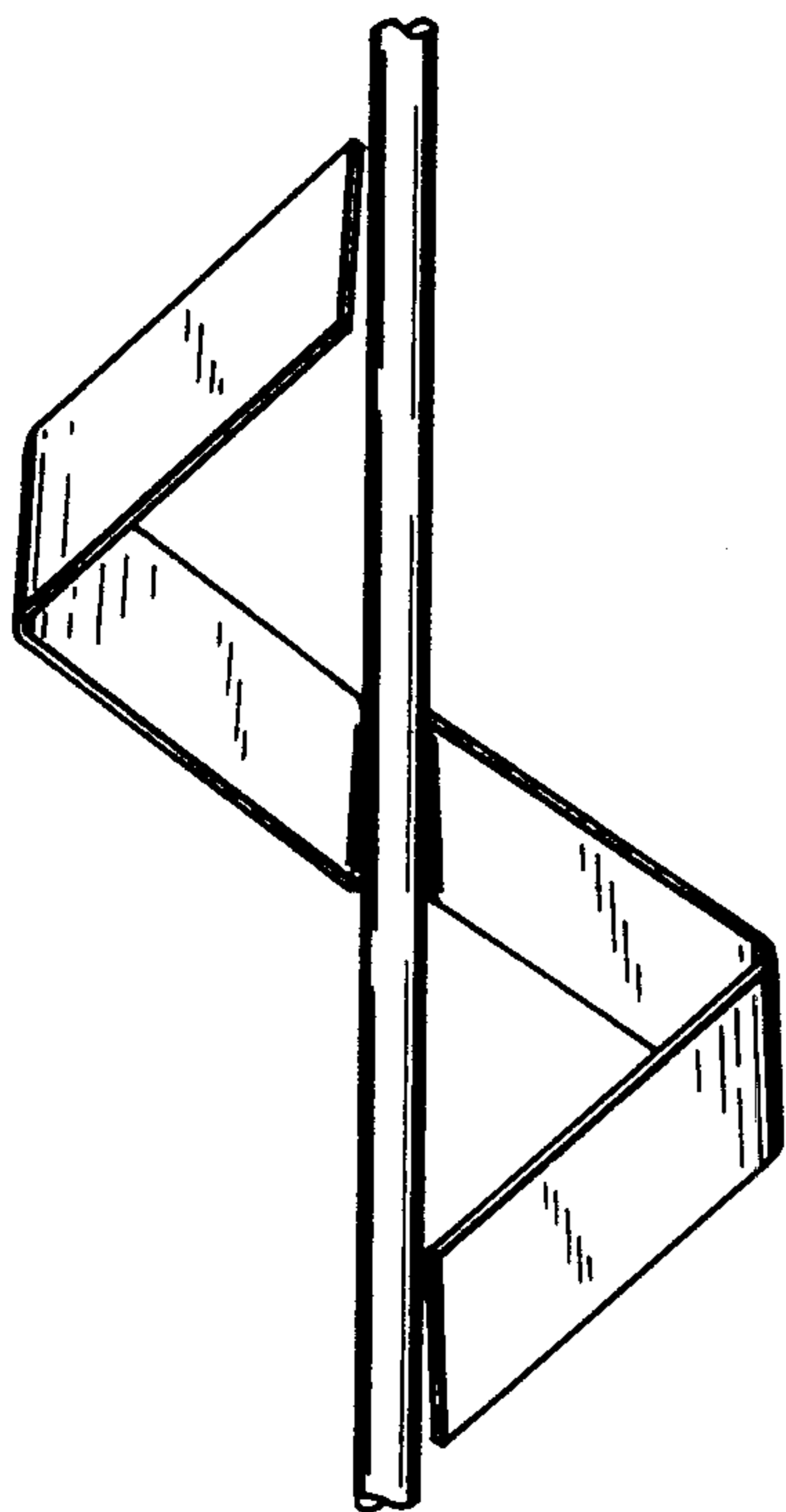


FIG. 2

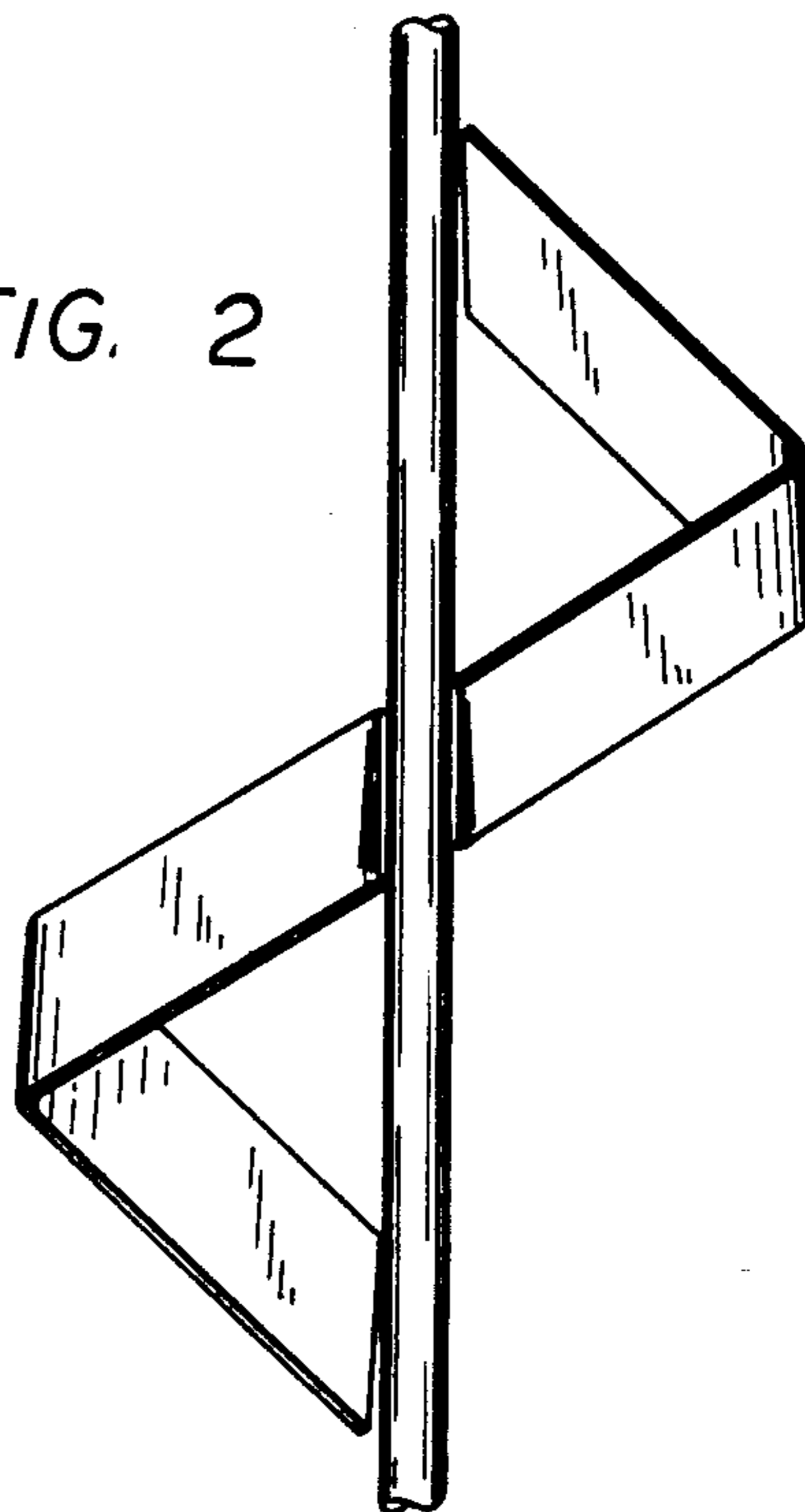


FIG. 5

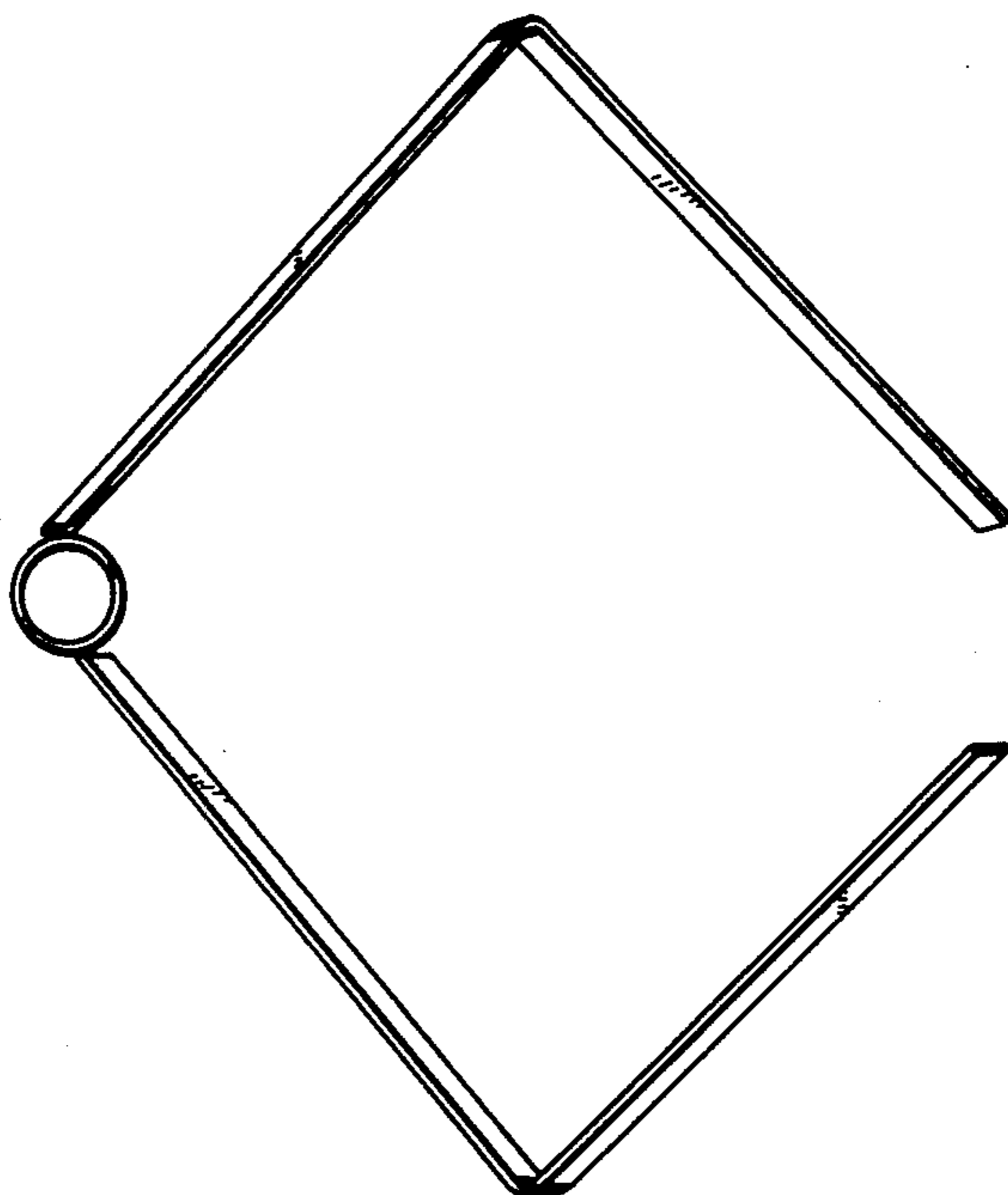


FIG. 3

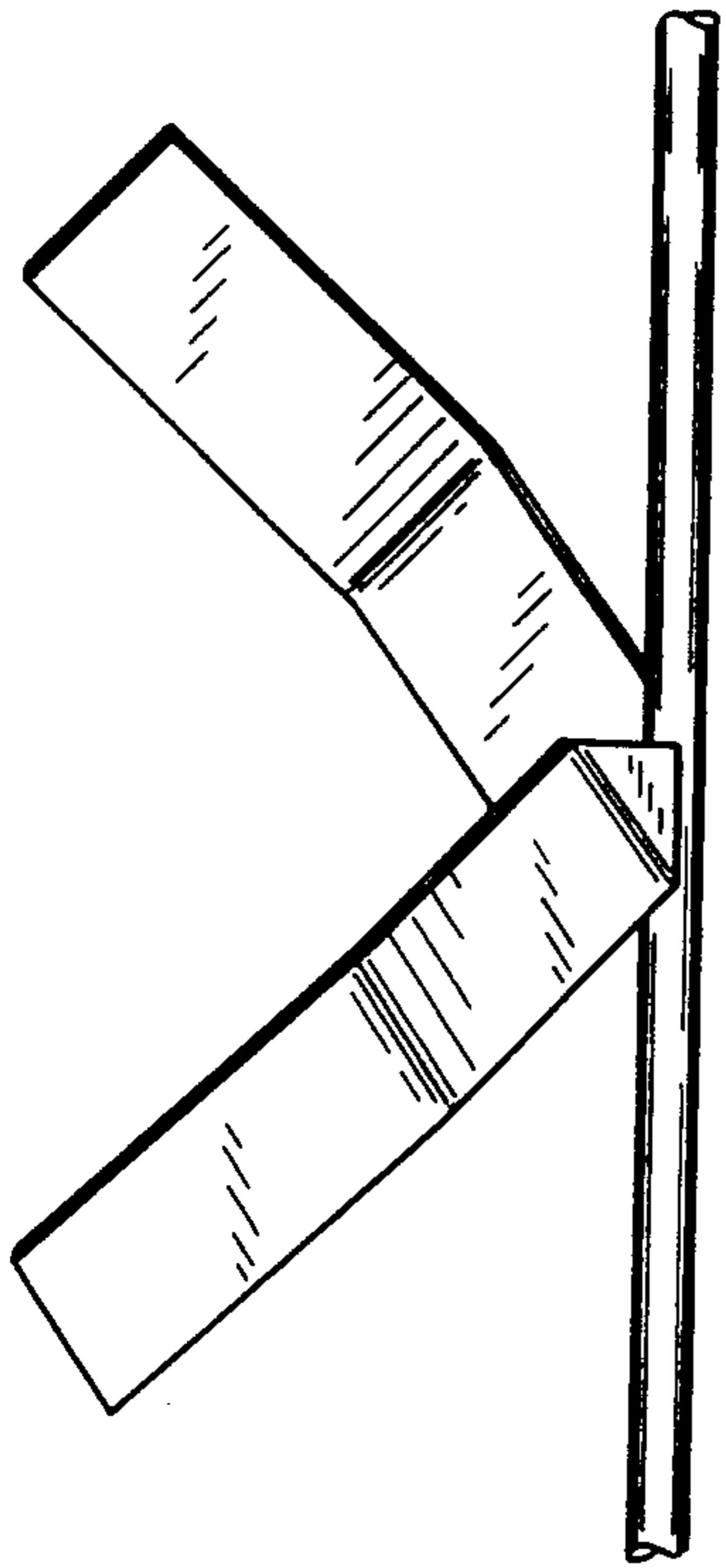


FIG. 4

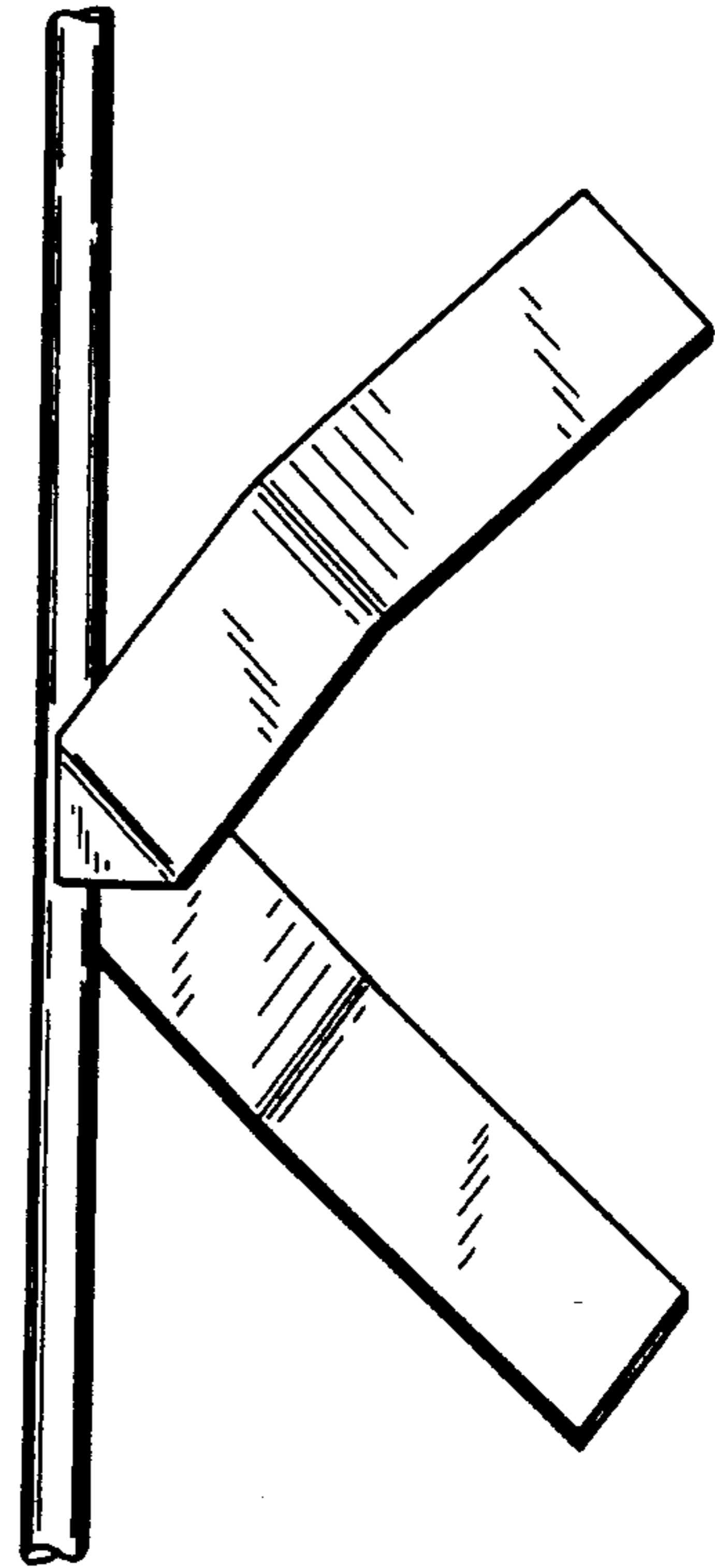


FIG. 6

