

[54] STORAGE BATTERY GANG VENT CAP  
[75] Inventor: Philip White, Toronto, Canada  
[73] Assignee: Varta Batteries Ltd., Canada  
[\*\*] Term: 14 Years  
[21] Appl. No.: 674,567  
[22] Filed: Apr. 7, 1976  
[51] Int. Cl. .... D13-02  
[52] U.S. Cl. .... D13/10  
[58] Field of Search ..... D26/4, 6; 429/87, 88

[56] References Cited  
U.S. PATENT DOCUMENTS  
3,265,538 8/1966 Lucas ..... 429/88  
3,284,244 11/1966 Lucas ..... 429/87

D. 217,553 5/1970 Smentek et al. .... D26/6

FOREIGN PATENT DOCUMENTS

375,766 3/1964 Switzerland ..... 429/87

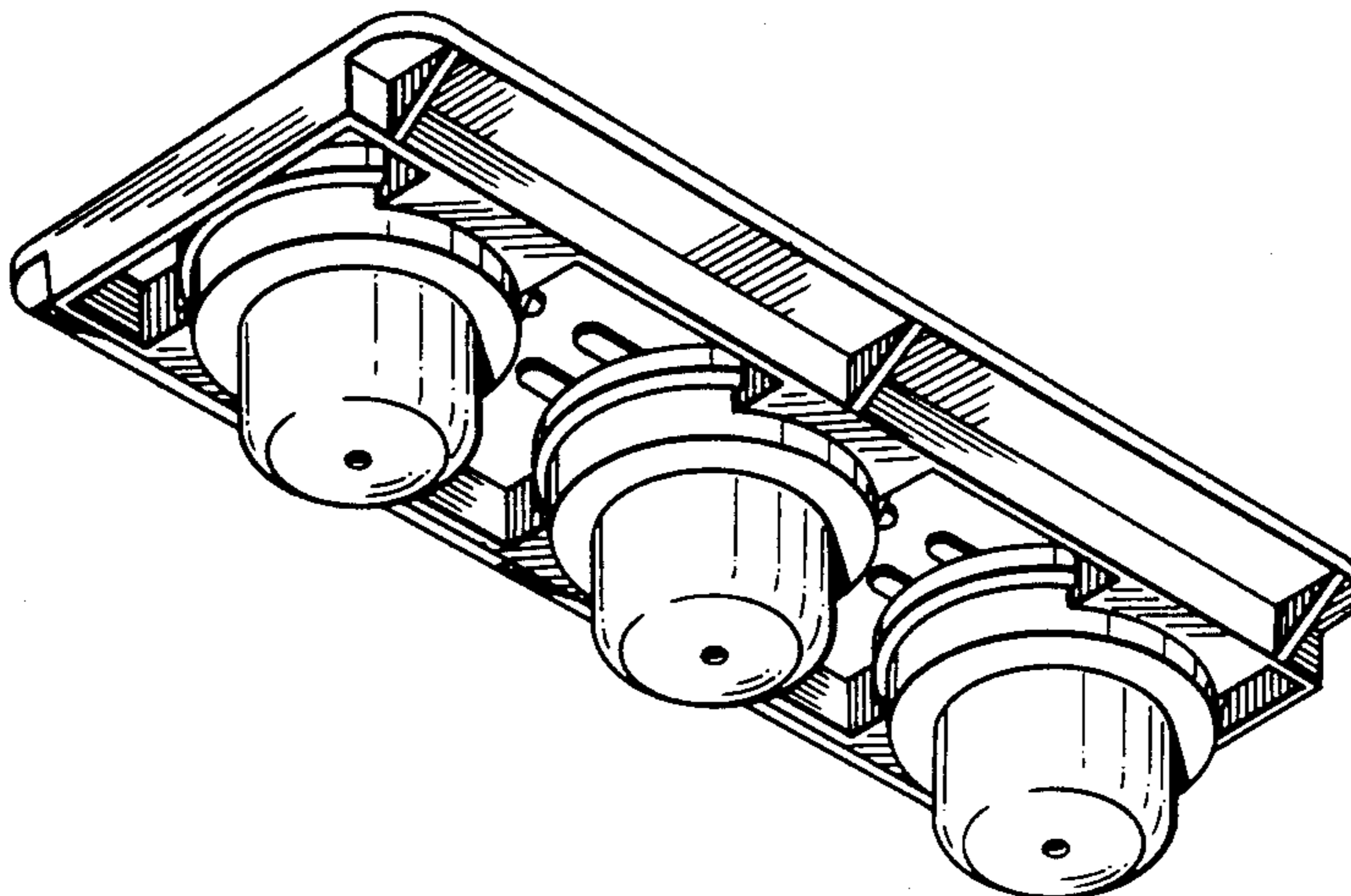
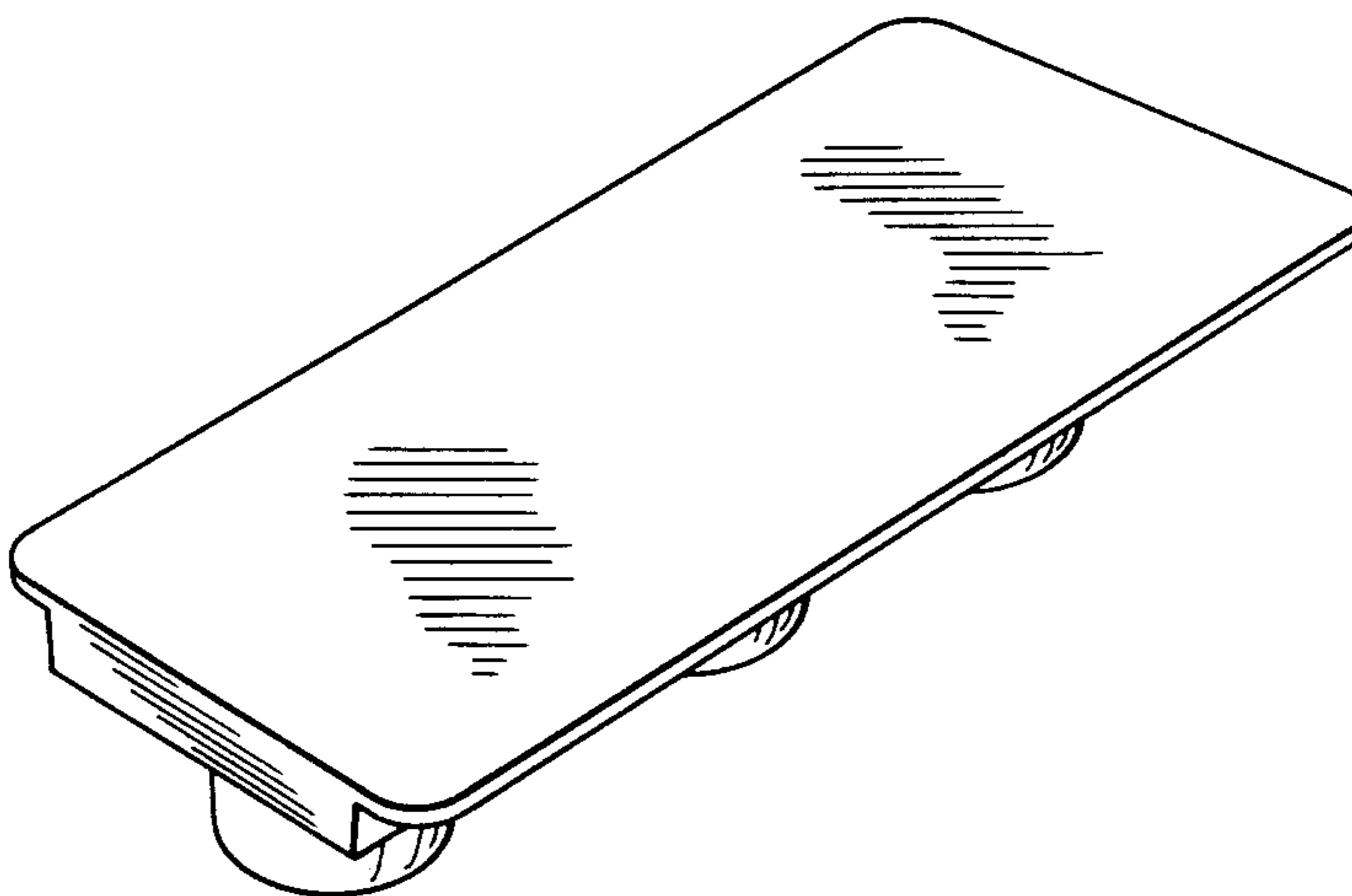
Primary Examiner—Susie J. Mercer  
Assistant Examiner—Catherine Kemper  
Attorney, Agent, or Firm—Douglas S. Johnson

[57] CLAIM

The ornamental design for a storage battery gang vent cap, as shown.

DESCRIPTION

FIG. 1 is a top perspective view of a storage battery gang vent cap showing my new design.  
FIG. 2 is a perspective view of the underside of the vent cap.



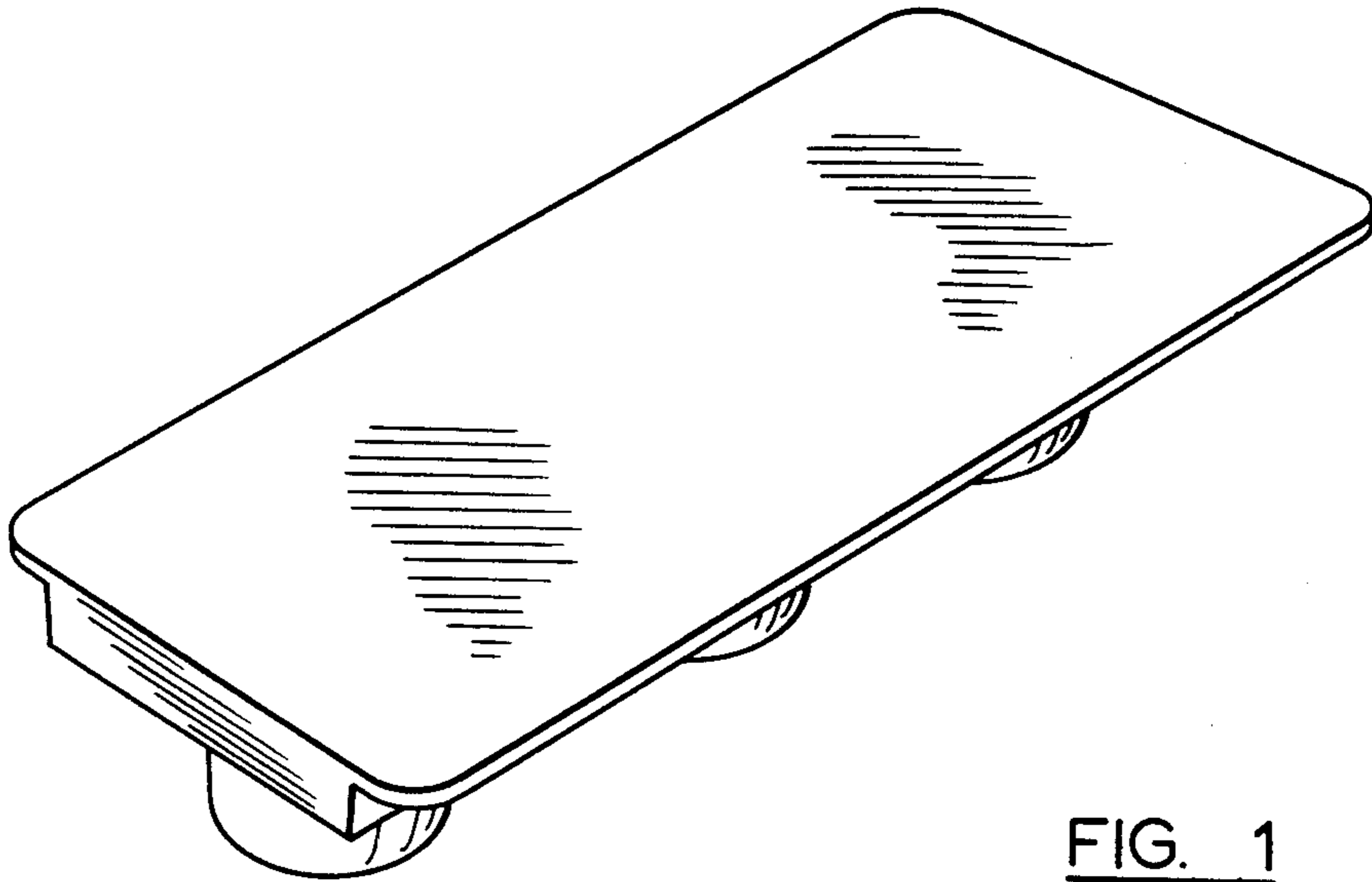


FIG. 1

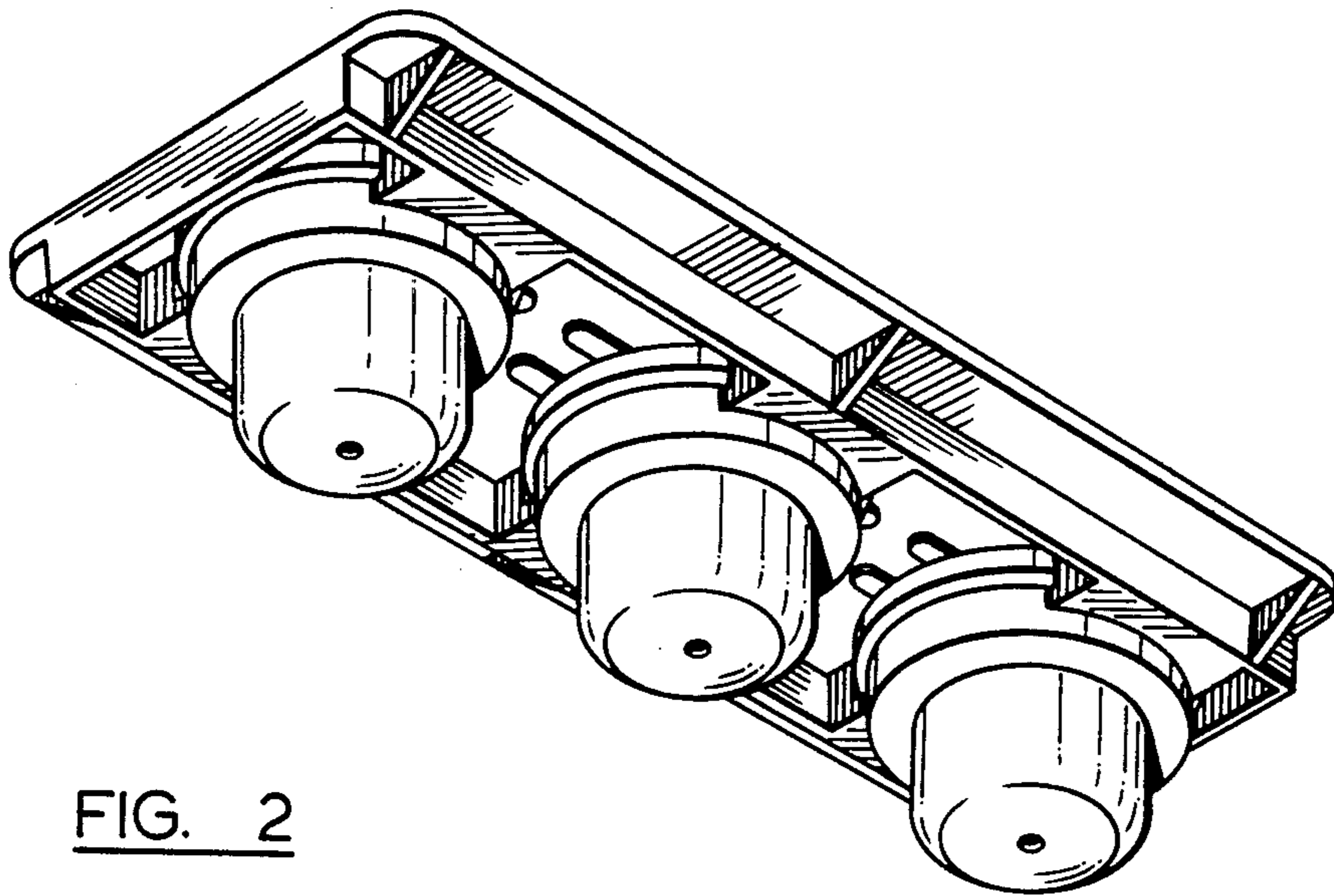


FIG. 2