

[54] **TRAY FOR HYDROPONIC GARDENING**

[76] Inventor: **Helmut D. Julinot**, 3455 Havenwood Avenue, House 30, Mississauga, Canada

[**] Term: **14 Years**

[21] Appl. No.: **655,761**

[22] Filed: **Feb. 6, 1976**

[30] **Foreign Application Priority Data**
Aug. 13, 1975 Canada 130875

[51] Int. Cl. **D11-02**

[52] U.S. Cl. **D11/155**

[58] **Field of Search** D6/113, 137; D11/143, D11/146, 147, 148, 149, 152, 153, 154, 155, 156; 47/1.2, 34 R, 34.12, 34.13, 35

[56]

References Cited

U.S. PATENT DOCUMENTS

2,188,875	1/1940	Ellis	47/1.2
2,983,076	5/1961	Merrill	47/1.2
3,543,437	12/1970	Gaines, Jr.	47/1.2
D. 241,874	10/1976	Berglund	D11/156

Primary Examiner—Wallace R. Burke
Assistant Examiner—B. J. Bullock
Attorney, Agent, or Firm—Robert L. Westell

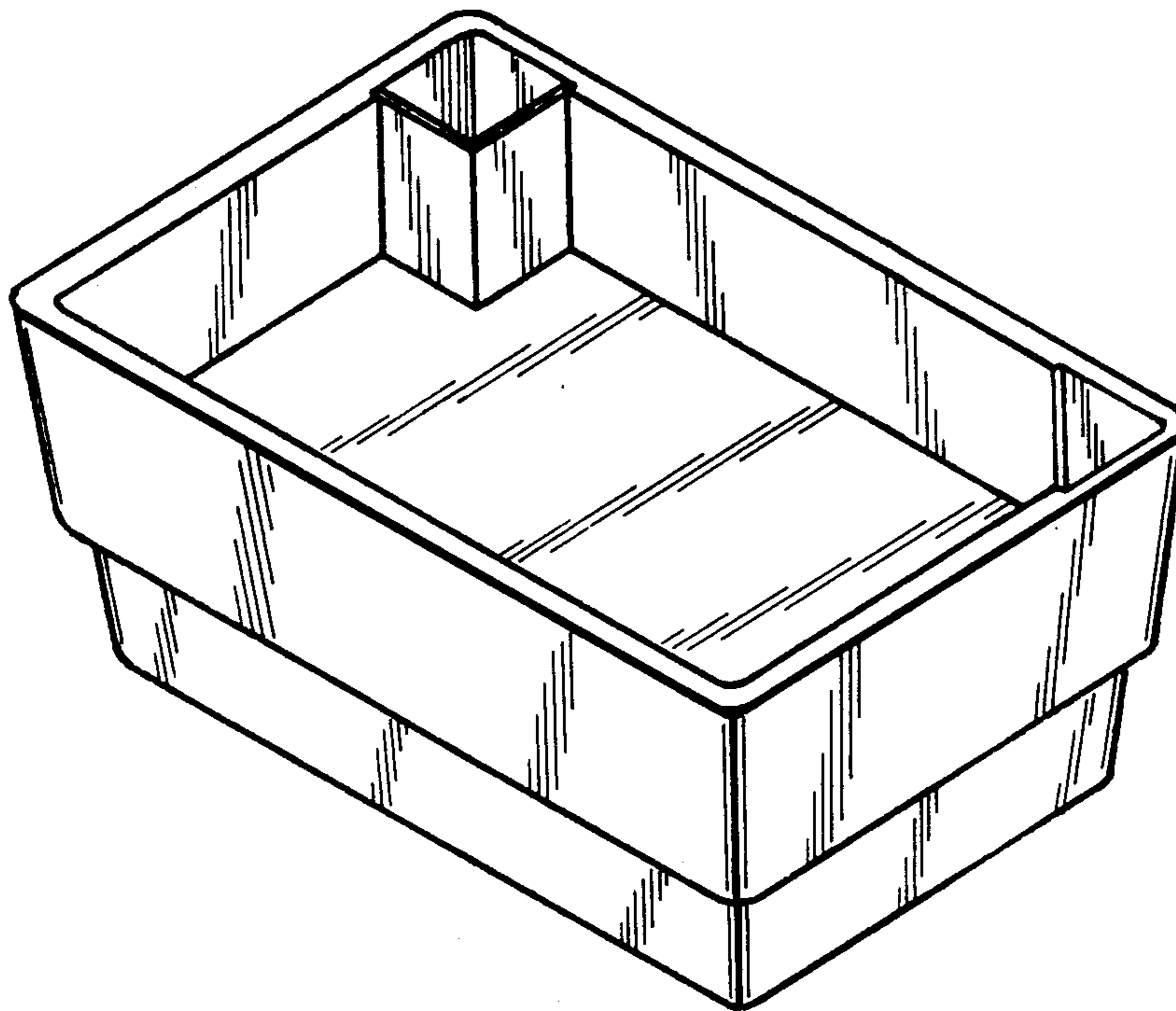
[57]

CLAIM

The ornamental design for a tray for hydroponic gardening, as shown.

DESCRIPTION

FIG. 1 is a top front perspective view of a tray for hydroponic gardening showing my new design
FIG. 2 is a bottom rear perspective view thereof; and
FIG. 3 is an enlarged top plan view thereof



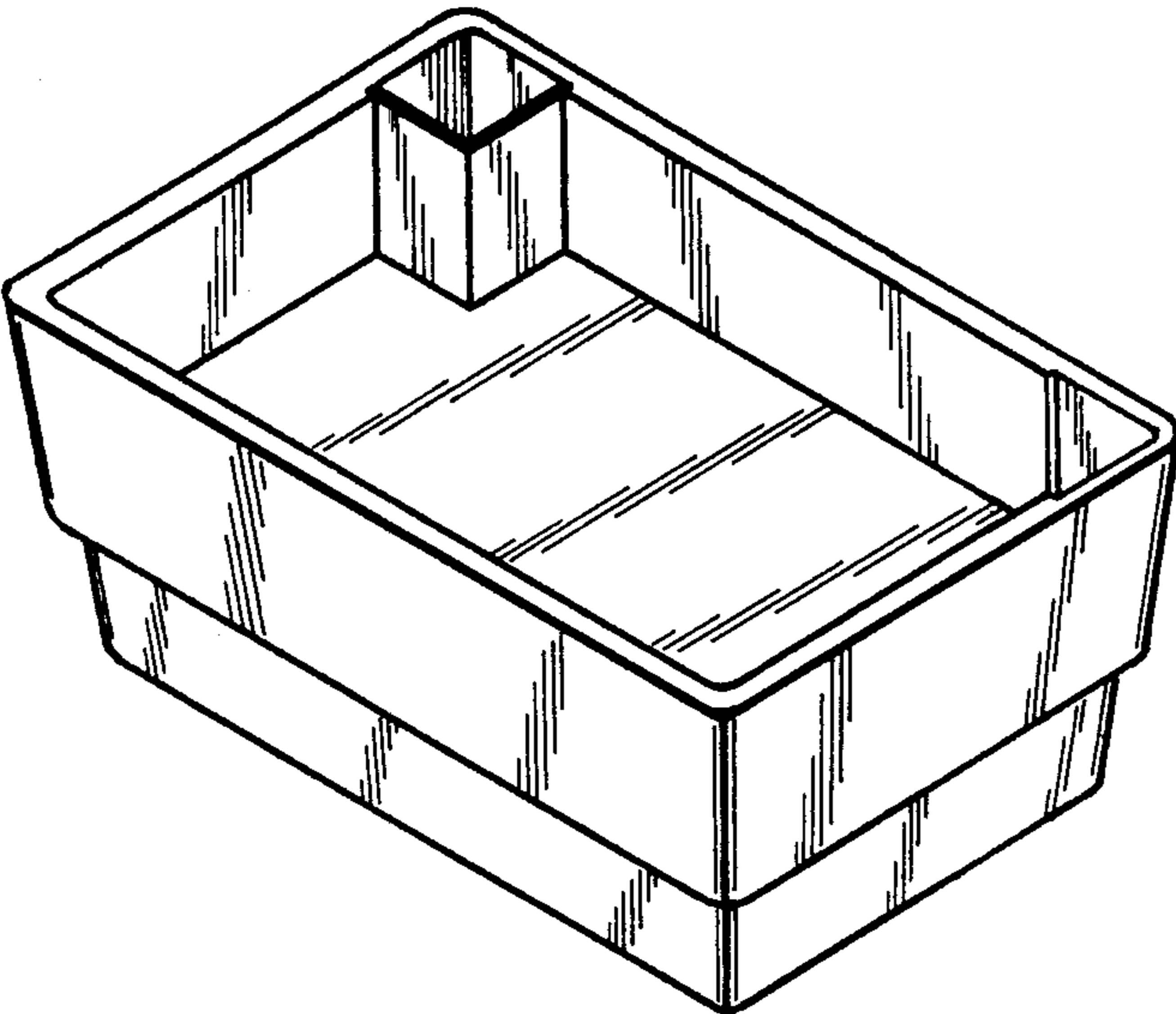


FIG. 1

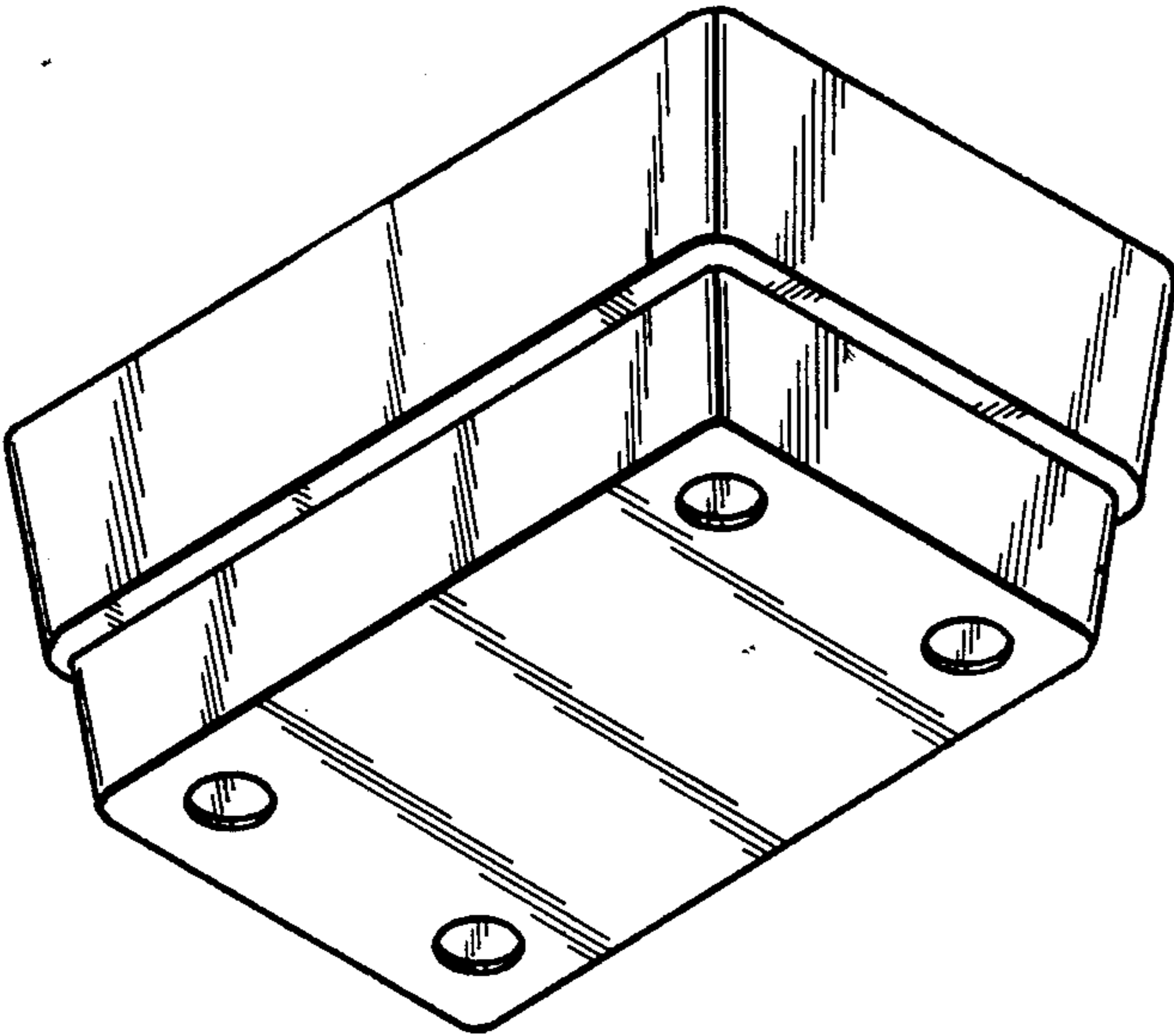


FIG. 2

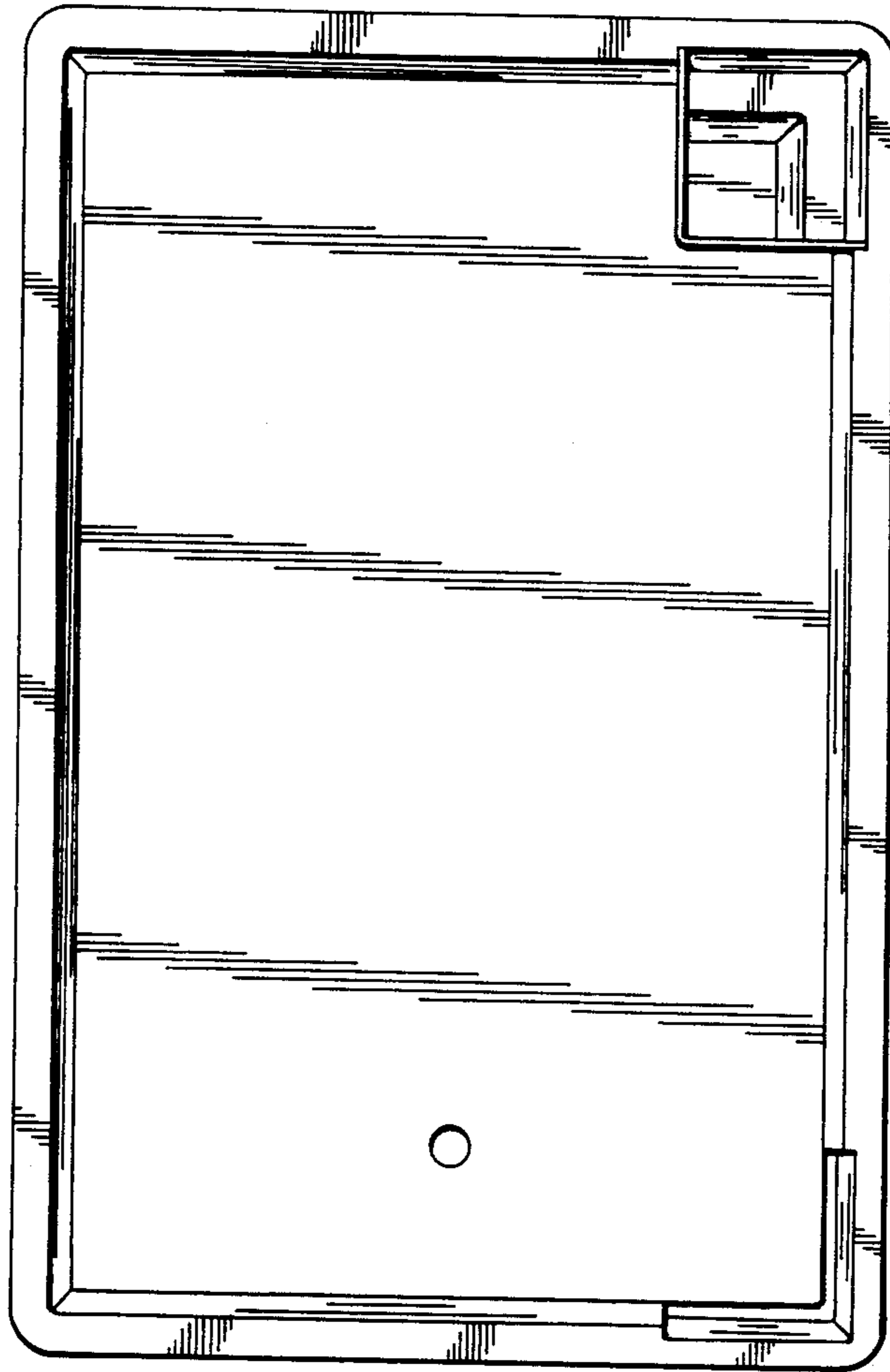


FIG. 3