

[54] **WEIGHING SCALE**

[75] Inventor: **Walter P. Kushmuk, Niles, Ill.**

[73] Assignee: **Continental Scale Corporation,
Bridgeview, Ill.**

[**] Term: **14 Years**

[21] Appl. No.: **605,237**

[22] Filed: **Aug. 18, 1975**

[51] Int. Cl. **D10-04**

[52] U.S. Cl. **D10/91**

[58] Field of Search **D10/87-94;
177/193, 241**

[56]

References Cited

U.S. PATENT DOCUMENTS

1,840,823	1/1932	Schaper	177/193
D. 118,827	2/1940	Middleman	D10/91
D. 139,925	1/1945	Dreyfuss	D10/91
D. 180,498	6/1957	Straw	D10/91
D. 203,875	2/1966	Schierbeer	D10/91
D. 226,227	1/1973	Myers	D10/91

Primary Examiner—Nelson C. Holtje
Attorney, Agent, or Firm—Richard L. Johnston

[57]

CLAIM

The ornamental design for a weighing scale, as shown.

DESCRIPTION

FIG. 1 is a front elevational view of a weighing scale showing my new design;

FIG. 2 is a side elevational view thereof;

FIG. 3 is a rear elevational view thereof; and

FIG. 4 is a top plan view thereof.

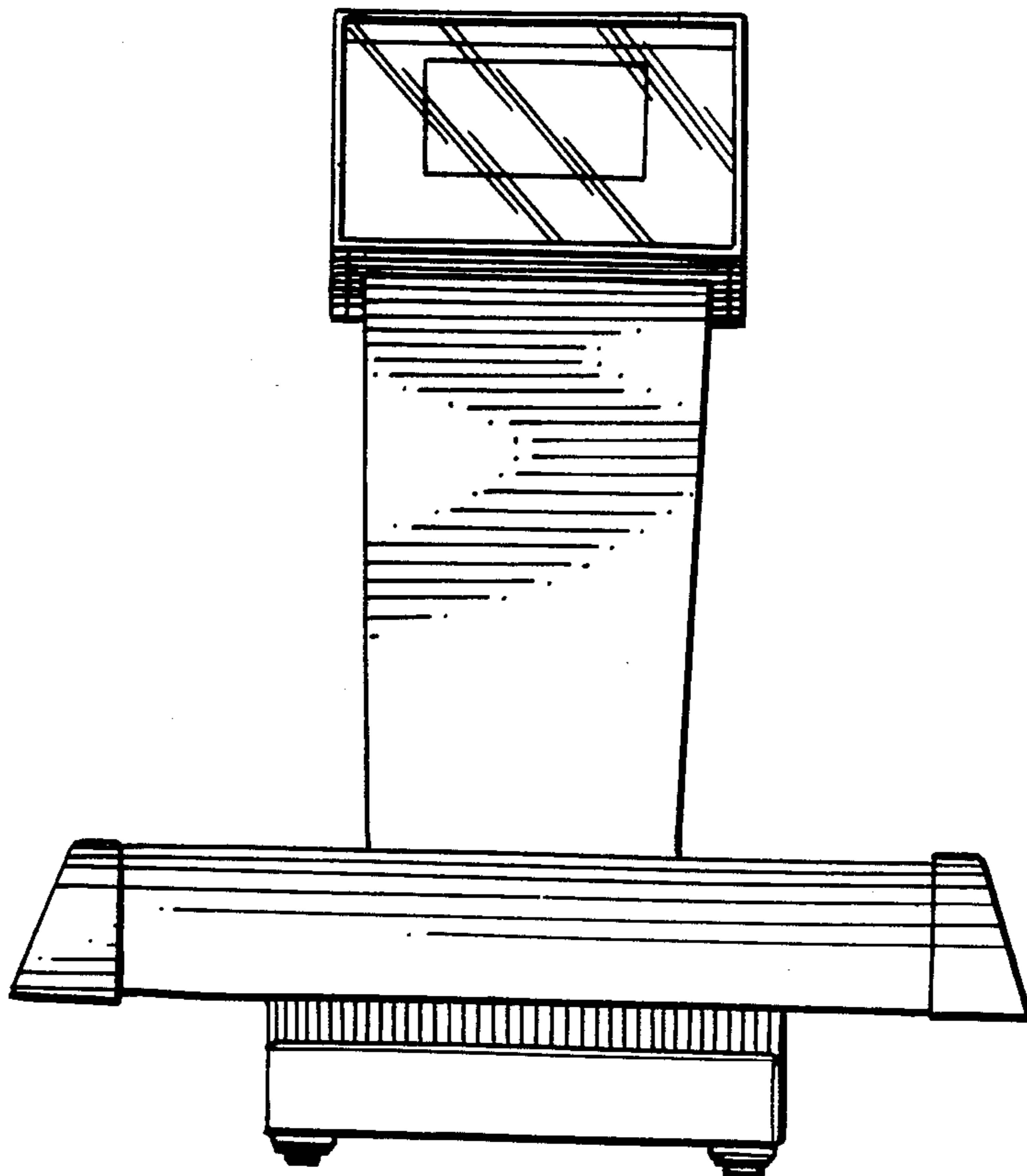
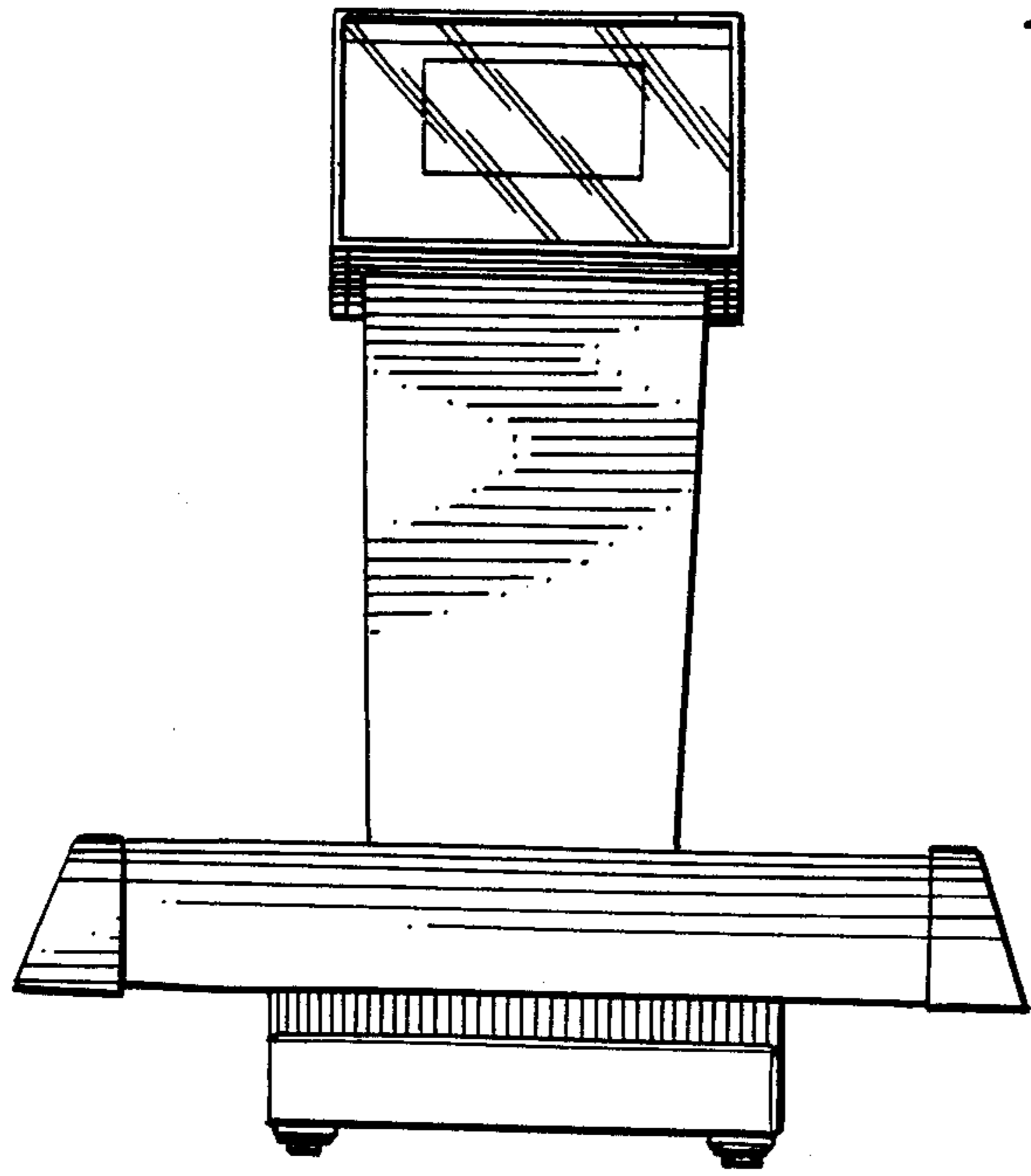
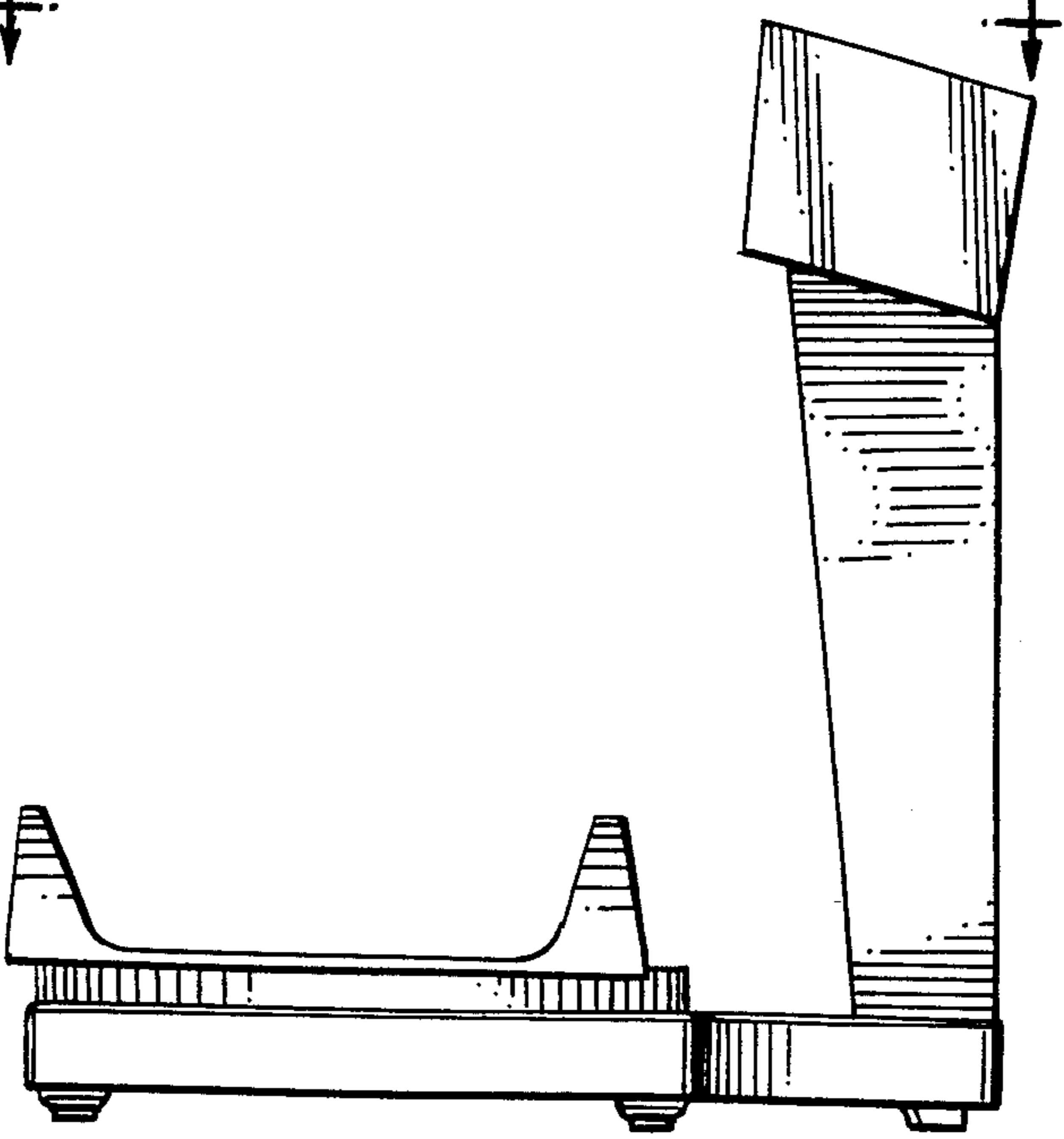


FIG. 1



4
↓

FIG. 2



4
↓

FIG. 3

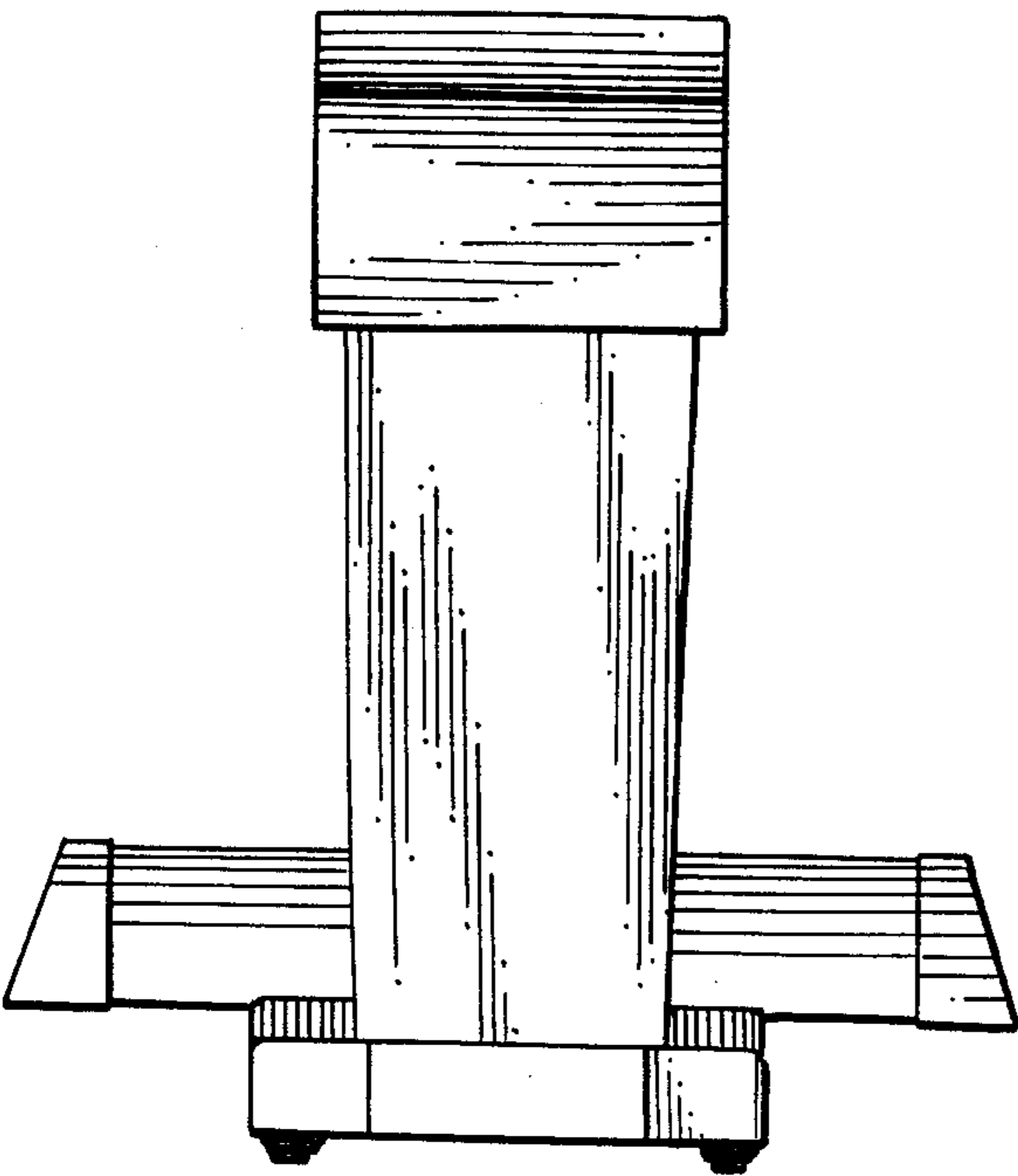


FIG. 4

