

[54] PULLEY

[76] Inventor: Robert L. Woods, 1033 Norton St.,
Mesquite, Tex. 75149

[**] Term: 14 Years

[21] Appl. No.: 650,128

[22] Filed: Jan. 19, 1976

[51] Int. Cl. D12-05

[52] U.S. Cl. D8/360

[58] Field of Search D8/216; 74/230.01, 230.4

[56] References Cited

U.S. PATENT DOCUMENTS

2,500,515 3/1950 Browning 74/230.01

Primary Examiner—William N. Wertman
Attorney, Agent, or Firm—William T. Wofford

[57] CLAIM

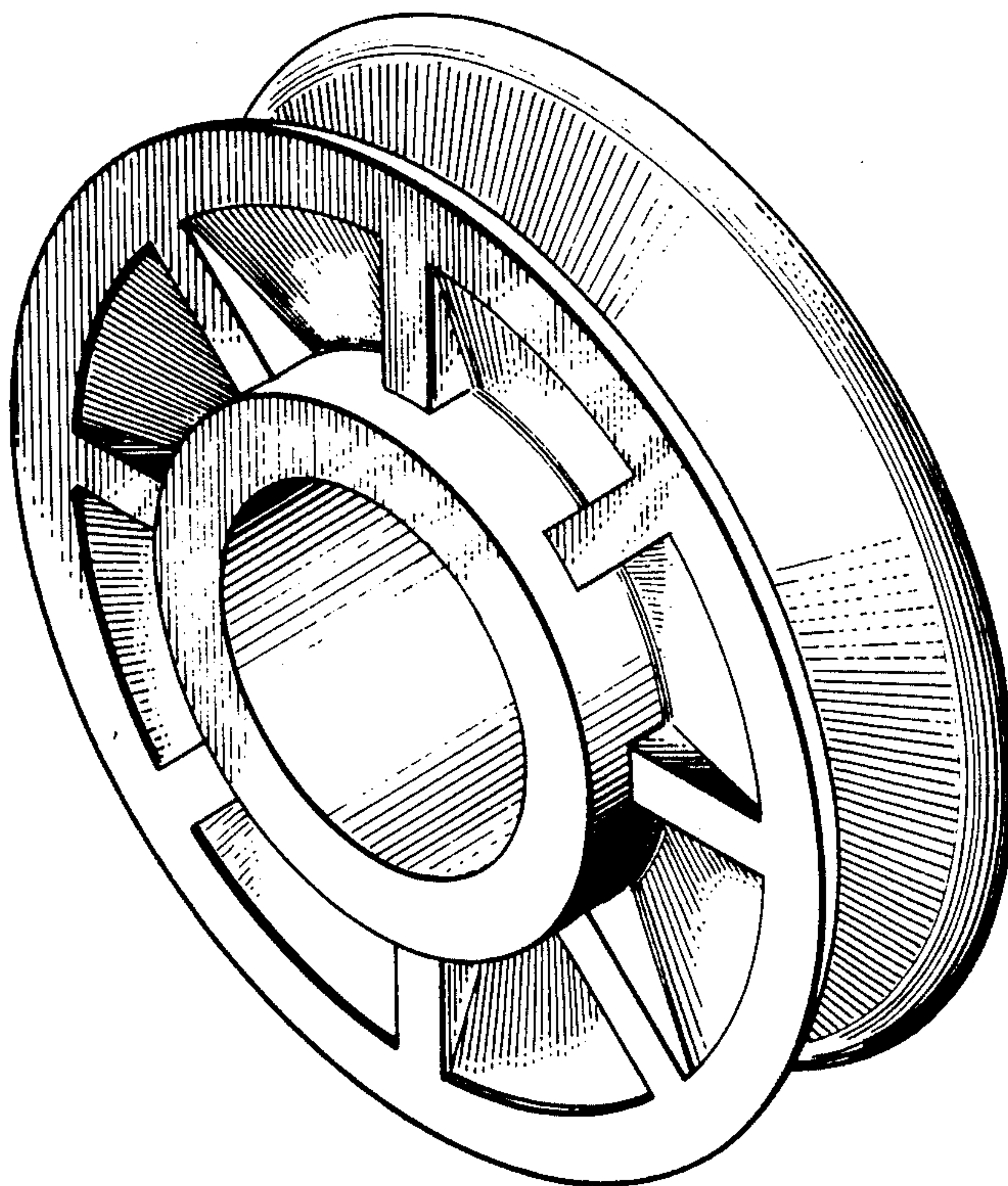
The ornamental design for a pulley, as shown.

DESCRIPTION

FIG. 1 is a perspective view of a pulley showing my new design.

FIG. 2 is an end elevational view thereof.

FIG. 3 is a perspective view showing the side thereof opposite to that shown by FIG. 1.



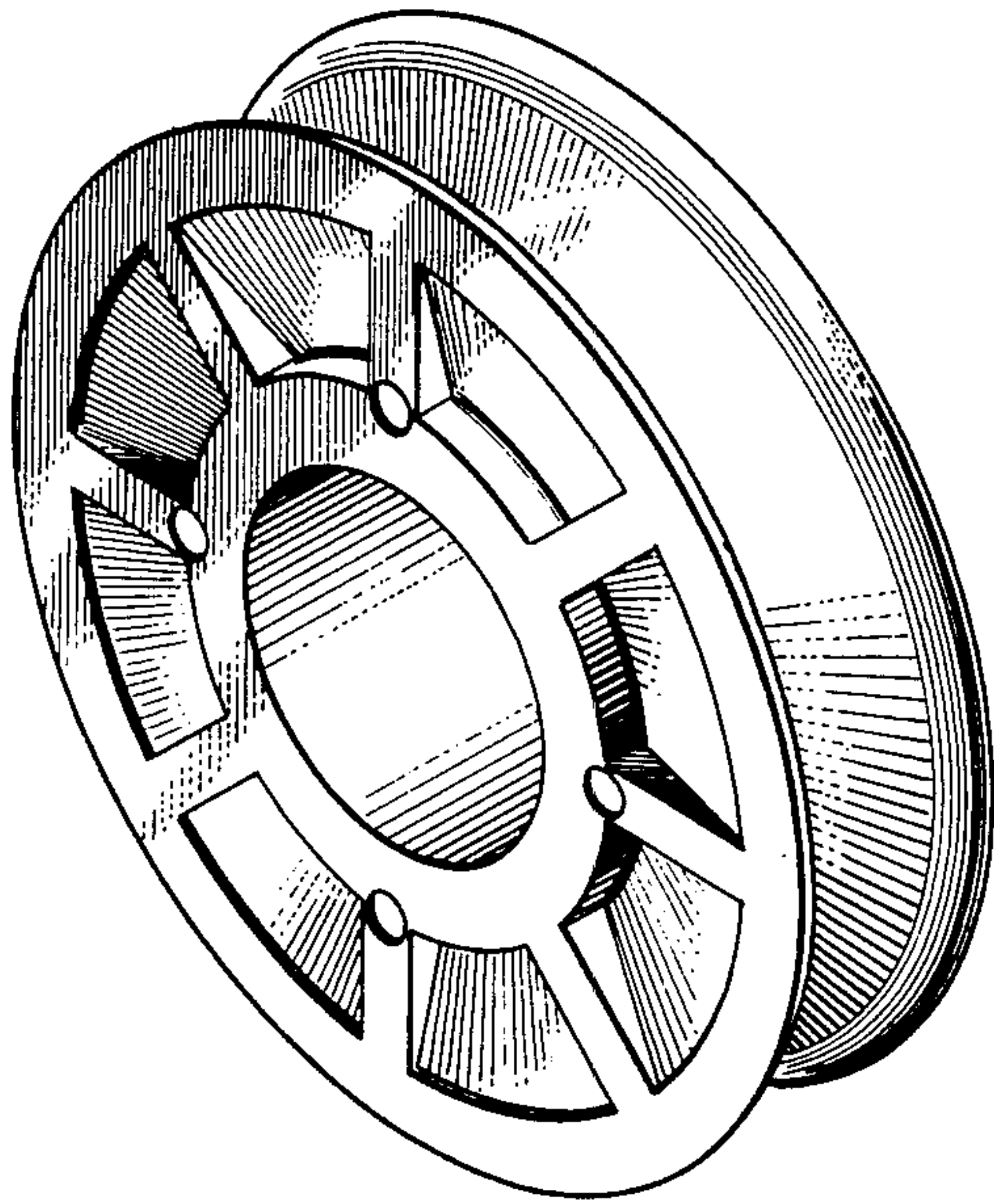


Fig. 1

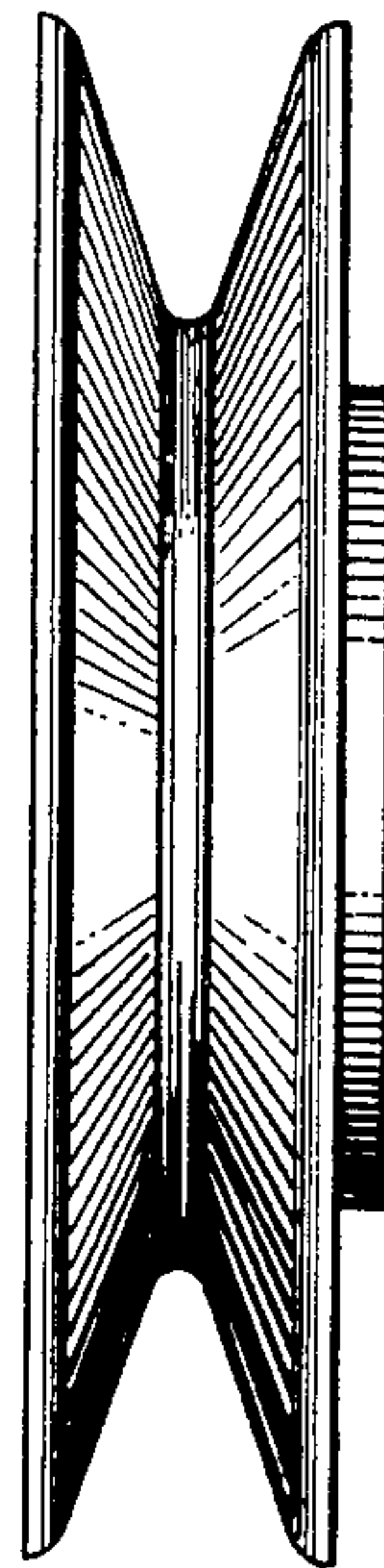


Fig. 2

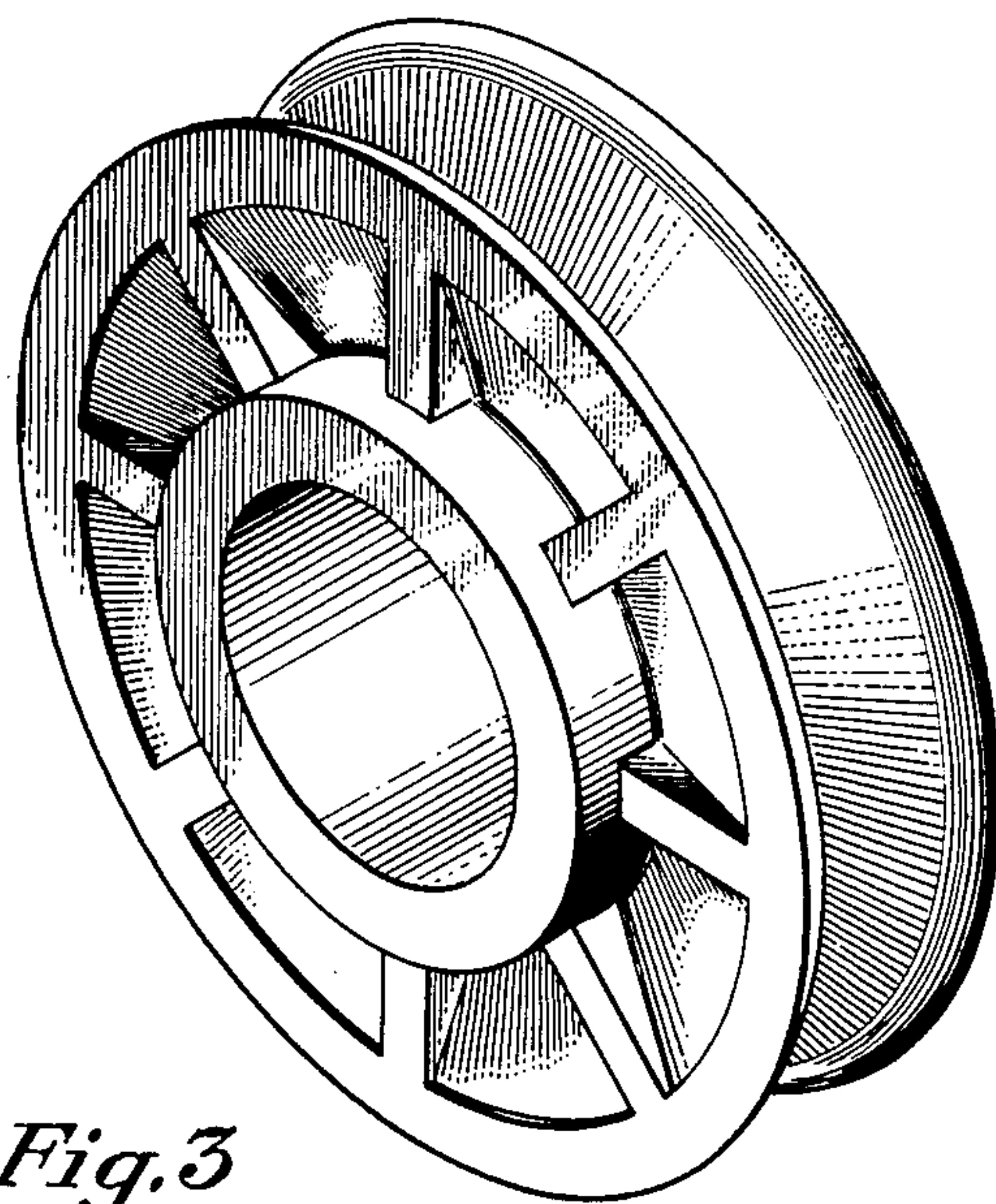


Fig. 3