

United States Patent [19]

Klingensmith

[11] Des. 245,6

[45] ** Sept. 6, 19

[54] CARPET TOOL

[76] Inventor: William J. Klingensmith, 3148
Mogadore Road, Akron, Ohio 44312

[**] Term: 14 Years

[21] Appl. No.: 695,859

[22] Filed: June 14, 1976

[51] Int. Cl. D8-05

[52] U.S. Cl. D8/15

[58] Field of Search D8/15; 254/62, 57;
294/816

[56] **References Cited**

U.S. PATENT DOCUMENTS

301,166	7/1884	Sawyer et al.	254
549,341	11/1895	Veigel	294,
3,464,731	9/1969	Eramo	294,

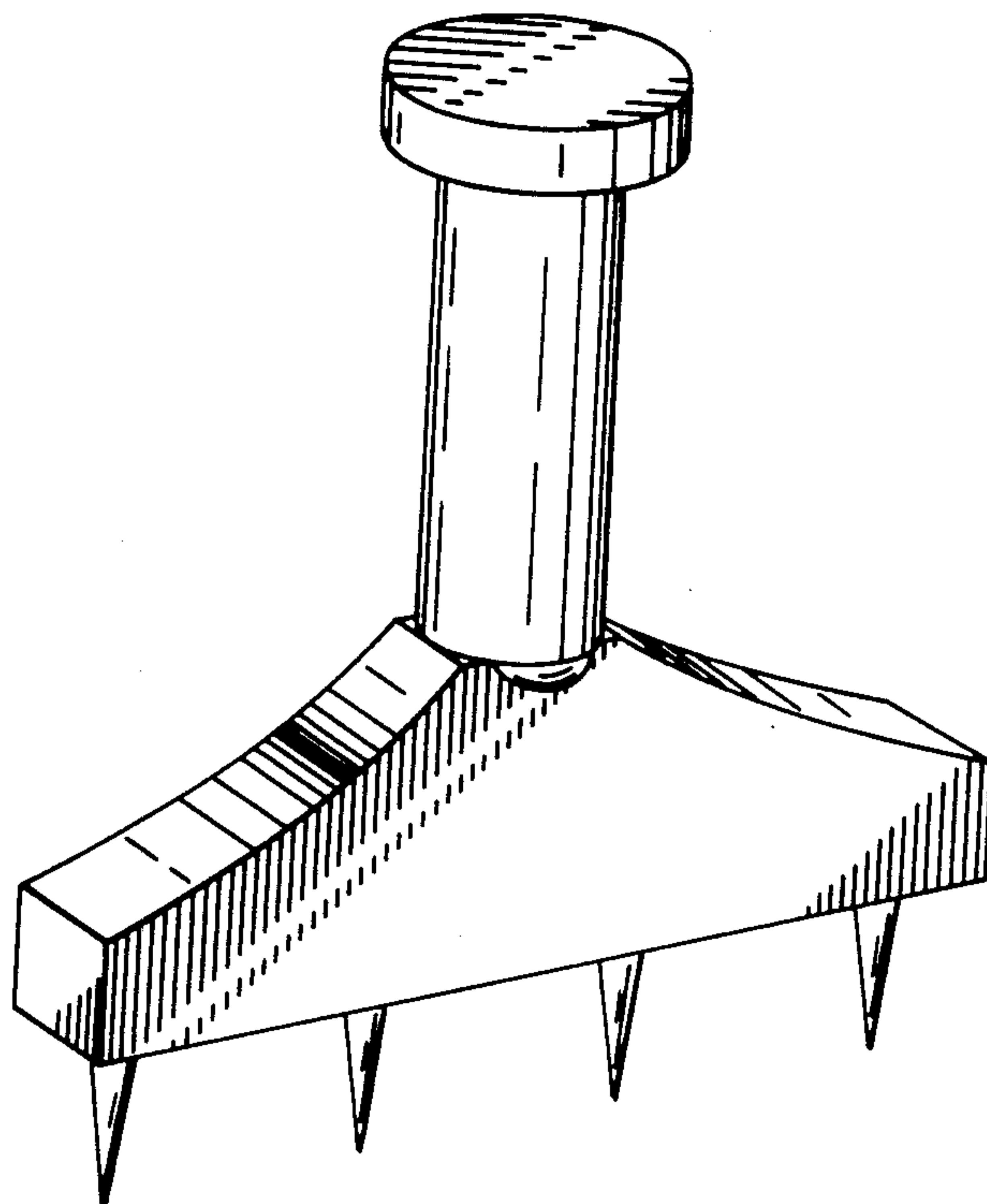
Primary Examiner—Alan P. Douglas
Attorney, Agent, or Firm—Mack D. Cook, II

[57] **CLAIM**

The ornamental design for a carpet tool, substantially shown.

DESCRIPTION

FIG. 1 is a perspective view of a carpet tool showing my new design;
FIG. 2 is a front or rear view;
FIG. 3 is a side or end view; and
FIG. 4 is a bottom view.



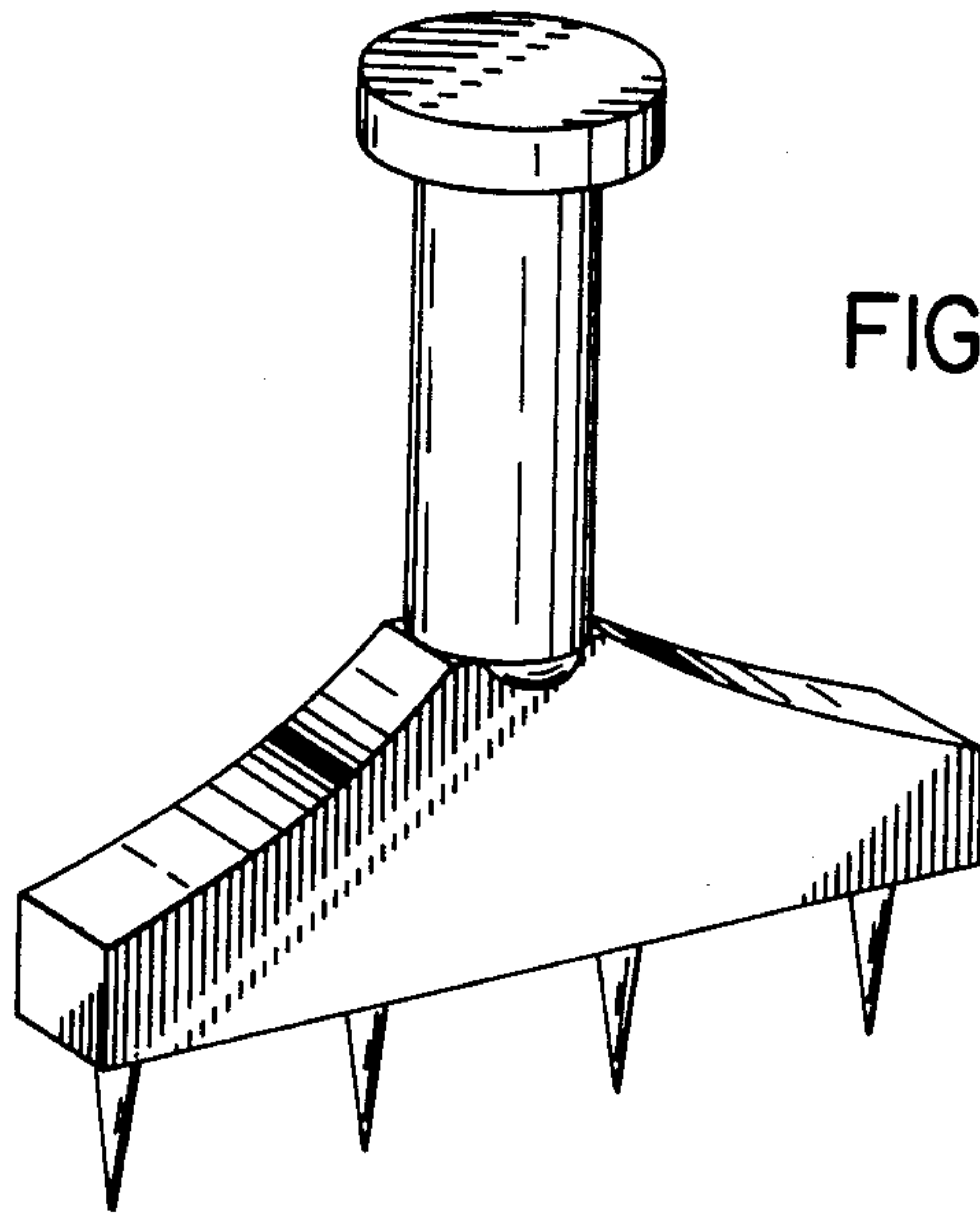


FIG. 1

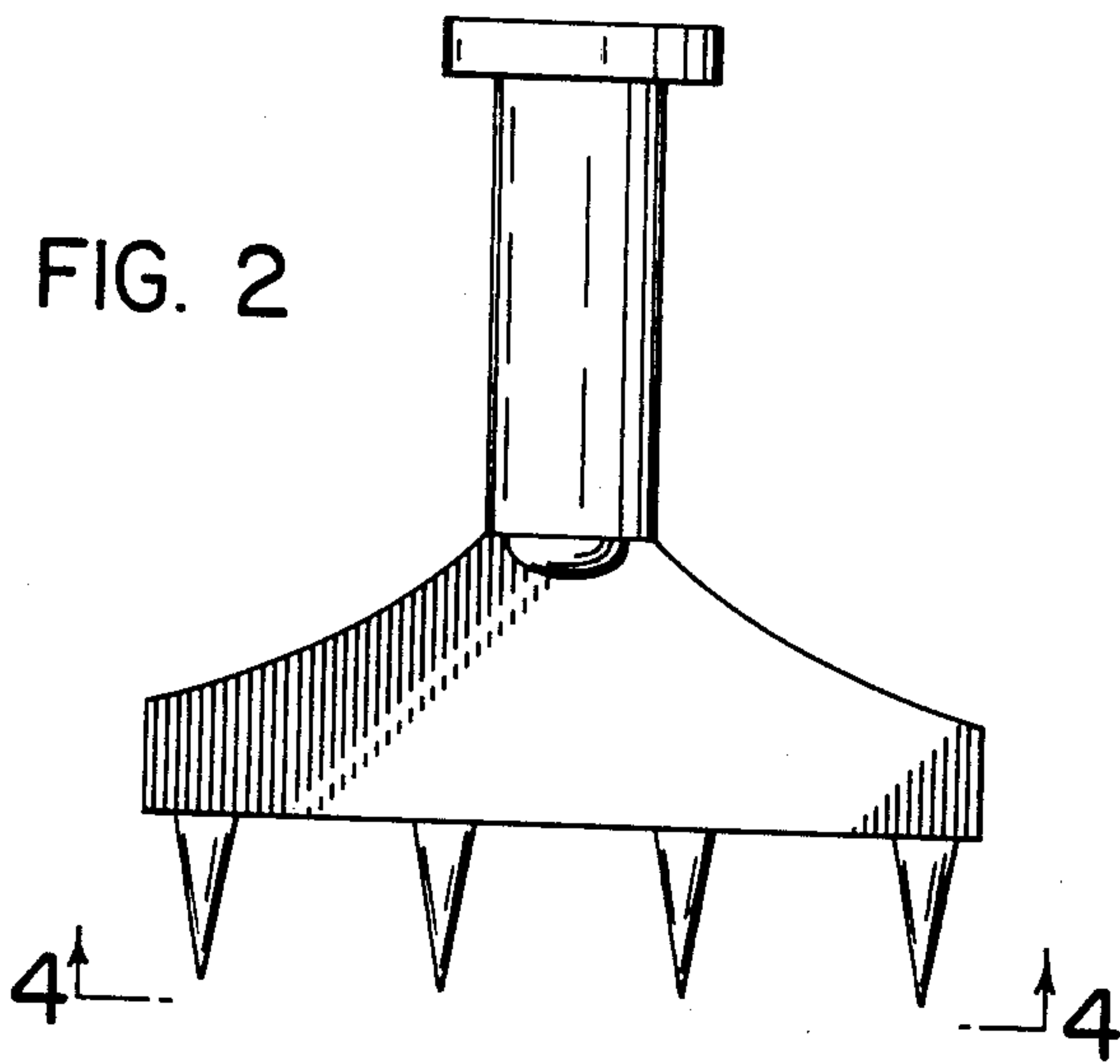


FIG. 2

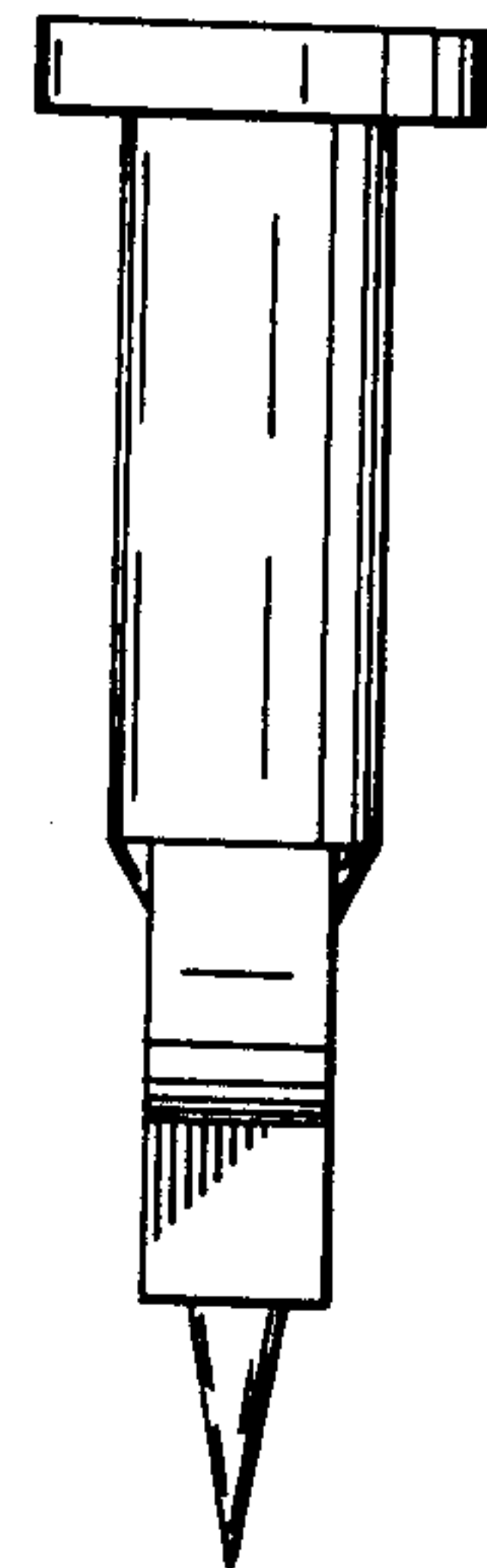


FIG. 3

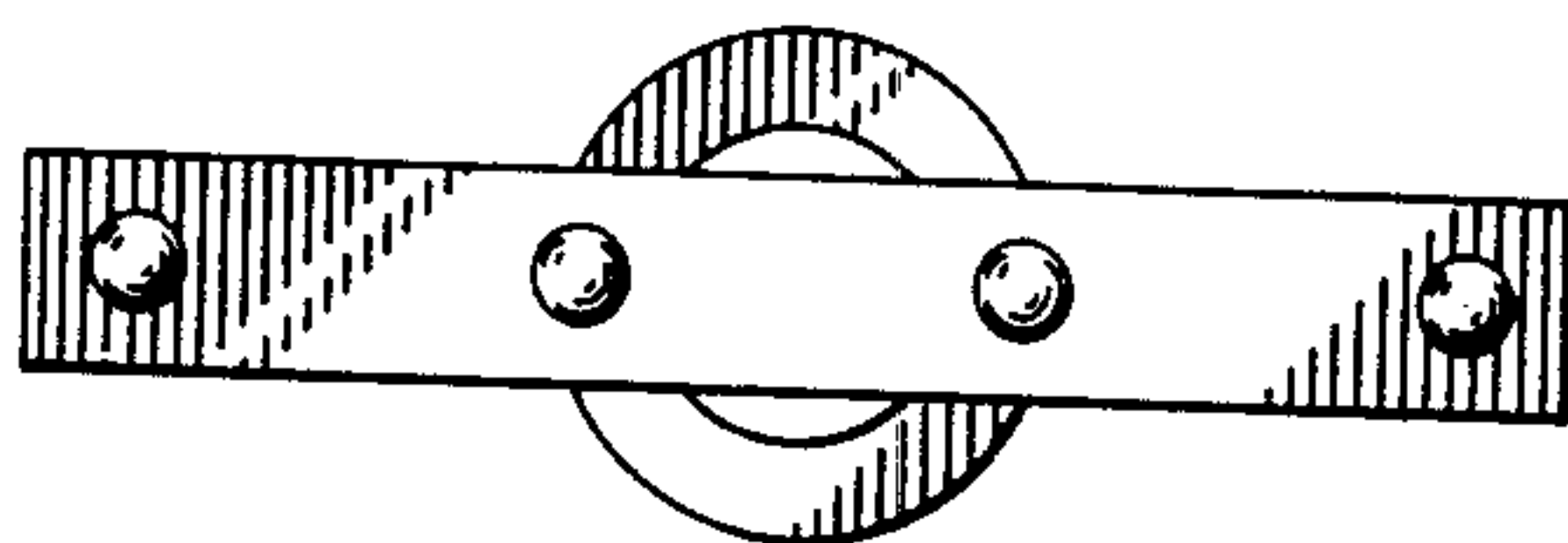


FIG. 4