

[54] DIGGING TOOL

2,802,264 8/1957 Smith D8/11 X

[76] Inventor: Brooks H. Holcombe, 10319 State, Rte. 5 NE., Kinsman, Ohio 44428

[**] Term: 14 Years

[21] Appl. No.: 594,769

[22] Filed: July 10, 1975

[51] Int. Cl. D8-01

[52] U.S. Cl. D8/10

[58] Field of Search D8/10, 5, 11; 172/381, 172/375, 371; 294/61, 59, 51; 7/1 L, 1 N, 14.55, 17

OTHER PUBLICATIONS

J. C. Whitney & Co. Cat. No. 328, 1974, p. no. 111, top center of page, handle bar grips and p. no. 112 center of page, foot pegs for motorcycles.

Primary Examiner—Wallace R. Burke
Assistant Examiner—James M. Gandy
Attorney, Agent, or Firm—Michael Williams

[57] CLAIM

The ornamental design for a digging tool, substantially as shown.

DESCRIPTION

FIG. 1 is a front elevational view of a digging tool, showing my new design,
FIG. 2 is a side elevational view thereof.
FIG. 3 is an enlarged fragmentary perspective view of the lower front portion thereof, and
FIG. 4 is an enlarged fragmentary rear elevational view thereof.

[56] References Cited

U.S. PATENT DOCUMENTS

926,145	6/1909	Skinner	294/59 X
2,228,275	1/1941	Lawrence	D8/10 X
2,513,663	7/1950	McDaniel	7/14.55 X
2,704,036	3/1955	Briggs	294/49 X
2,716,538	8/1955	Arrowood	294/49 X

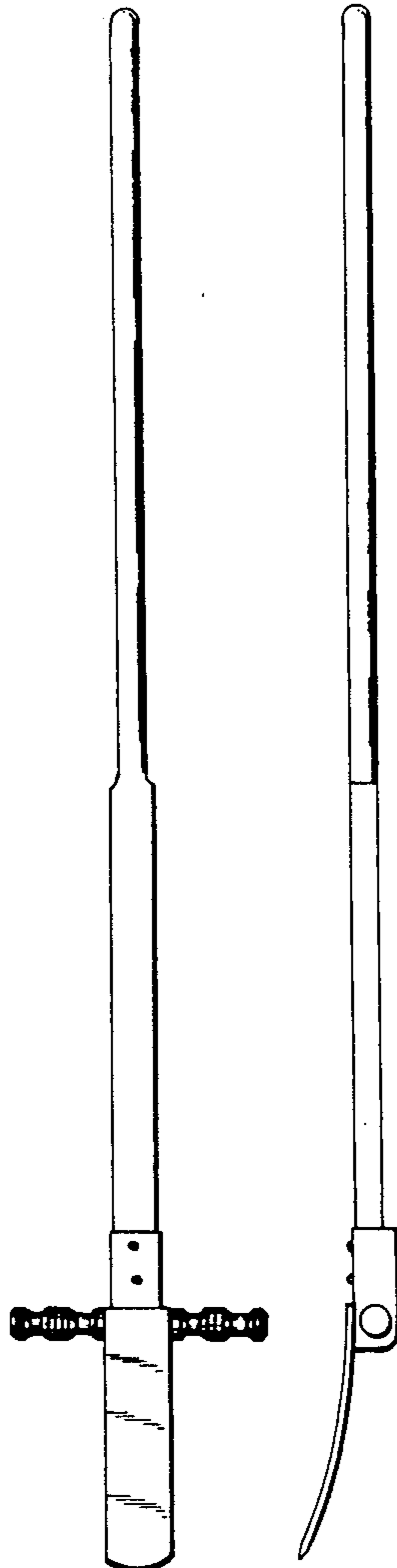


FIG. 1.

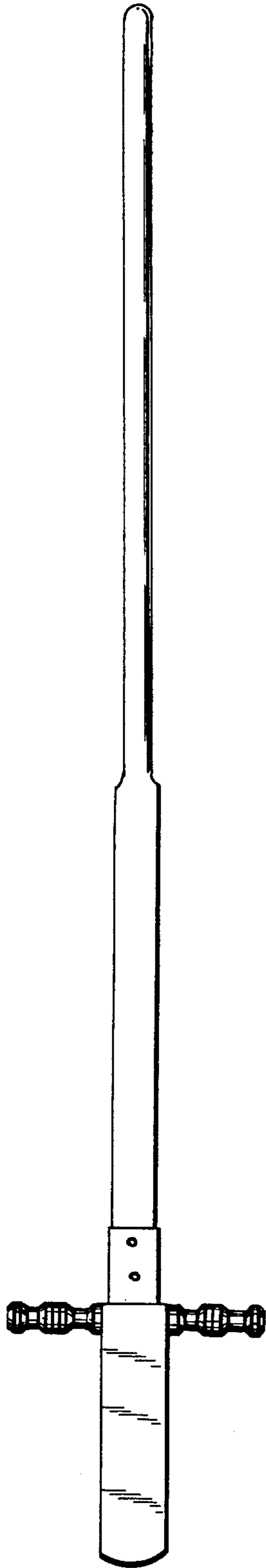


FIG. 2.

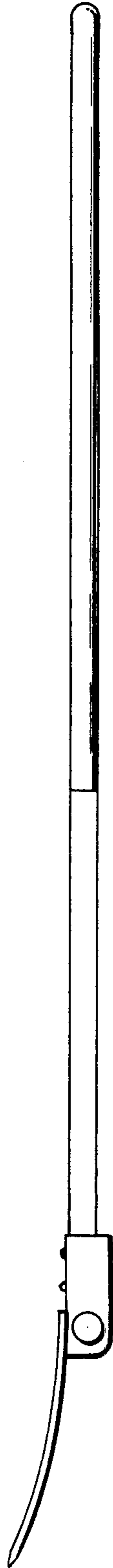


FIG. 3.

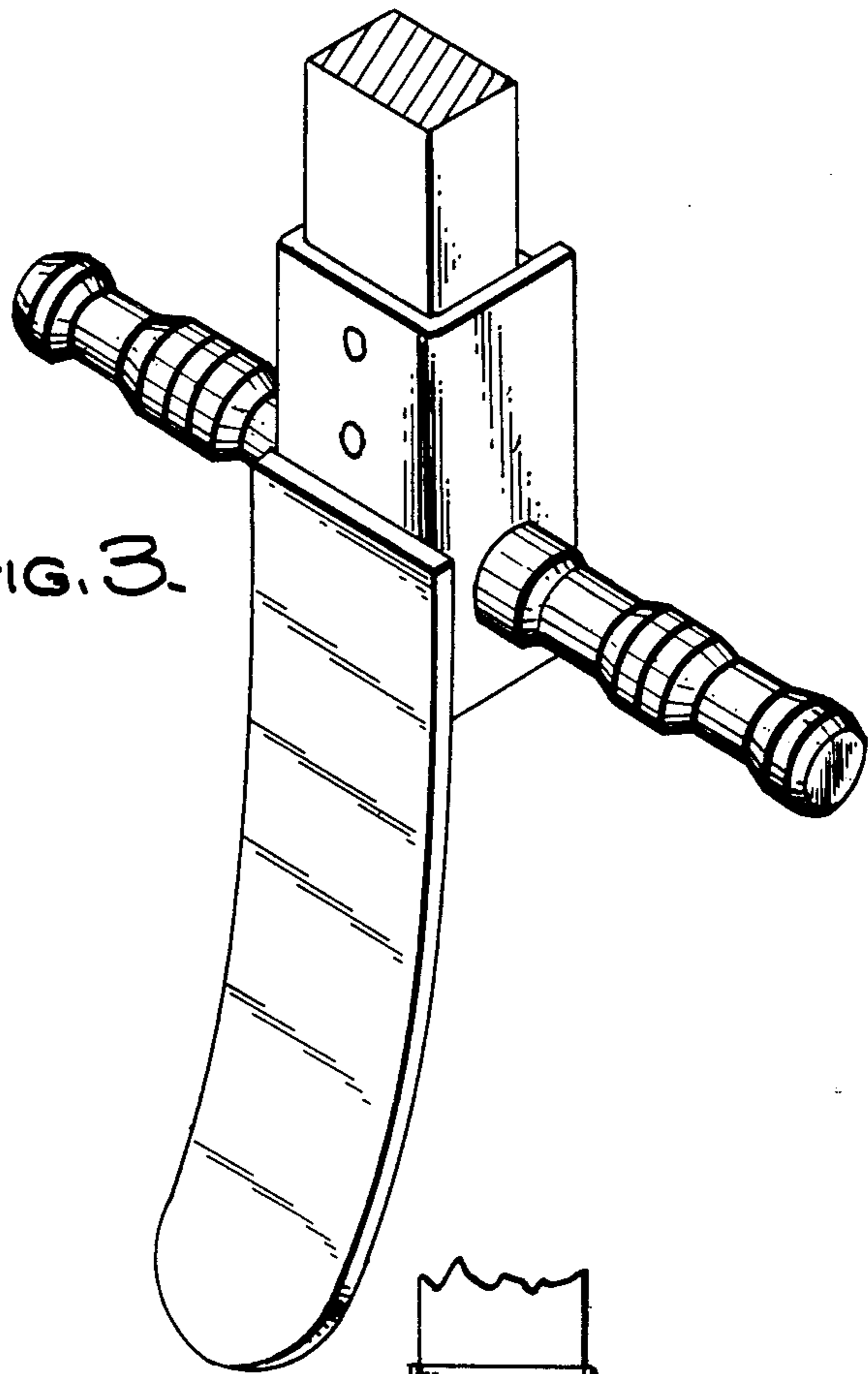


FIG. 4.

