

[54] PICTURE FRAME OR THE LIKE

[75] Inventor: Gerald M. Grusin, Chicago, Ill.

[73] Assignee: Dart Industries Inc., Los Angeles, Calif.

[*] Notice: The portion of the term of this patent subsequent to Sept. 6, 1991, has been disclaimed.

[**] Term: 14 Years

[21] Appl. No.: 631,292

[22] Filed: Nov. 12, 1975

[51] Int. Cl. D6-07

[52] U.S. Cl. D6/234

[58] Field of Search D6/232-246; D25/74, 76, 79; D56/4 B; 40/152-152.1, 154-155, 157, 158 A, 10, 156

[56] References Cited

U.S. PATENT DOCUMENTS

2,738,707	3/1956	Sackett et al.	40/152.2
3,274,718	9/1966	Panochyk	40/10 R
D. 82,601	11/1930	Brownell	D6/234
D. 195,025	4/1963	Jefferson	D25/79
D. 212,342	10/1968	Rote	D56/4 B

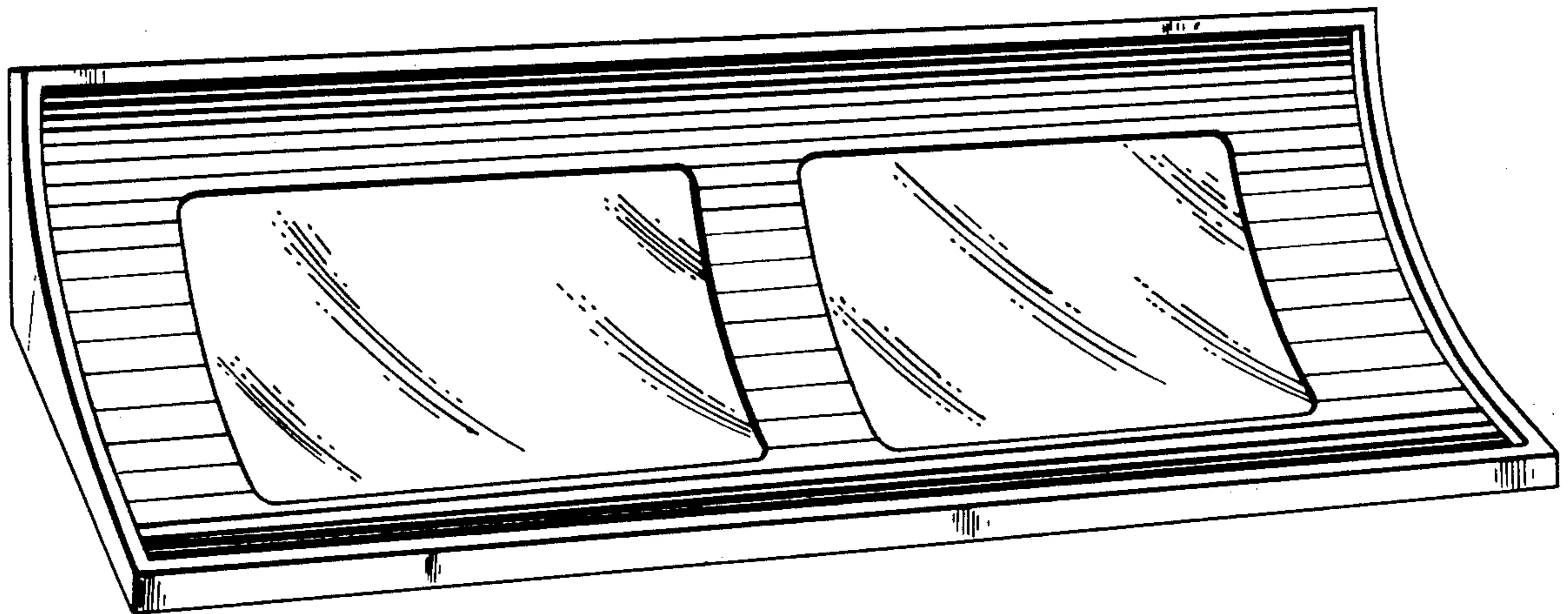
Primary Examiner—Nelson C. Holtje
Assistant Examiner—C. A. Rademaker
Attorney, Agent, or Firm—Leigh B. Taylor

[57] CLAIM

The ornamental design for a picture frame or the like, substantially as shown.

DESCRIPTION

FIG. 1 is a front perspective view of the picture frame or the like showing my new design;
FIG. 2 is a top plan view thereof;
FIG. 3 is another front perspective view thereof showing the design in an alternate standing position;
FIG. 4 is a bottom plan view of FIG. 1;
FIG. 5 is a rear elevational view of FIG. 1;
FIG. 6 is a right side elevational view of FIG. 3; and
FIG. 7 is a right side elevational view of FIG. 1.



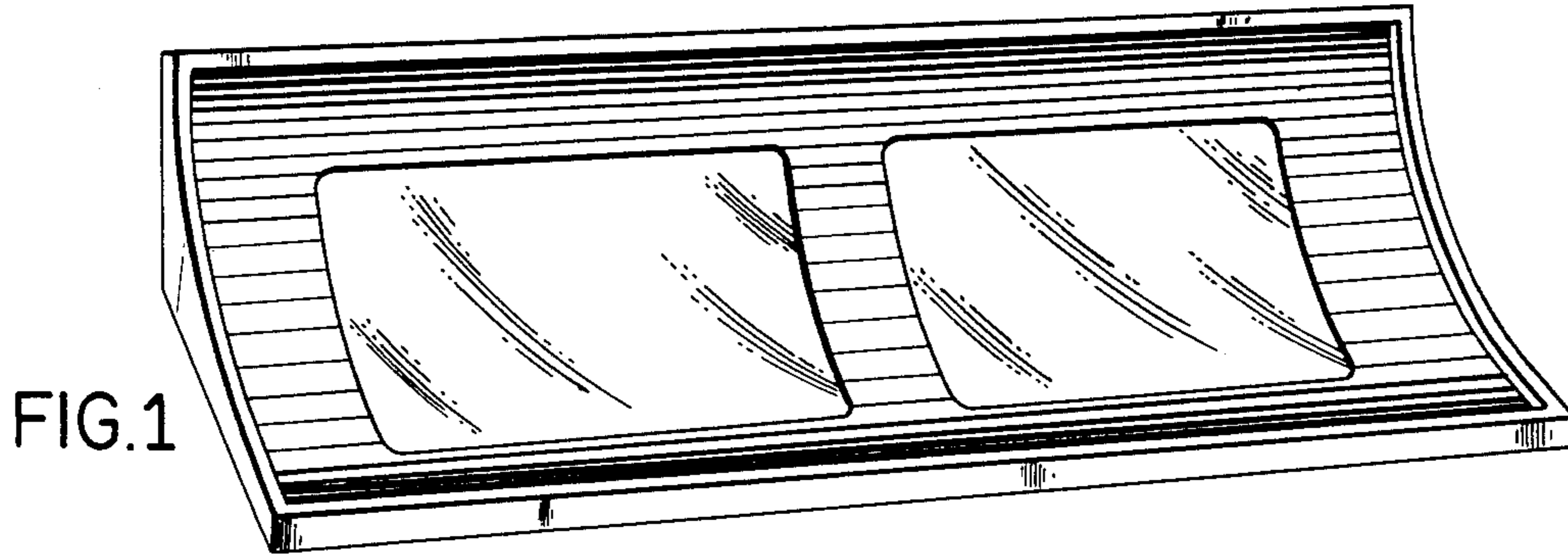


FIG. 1

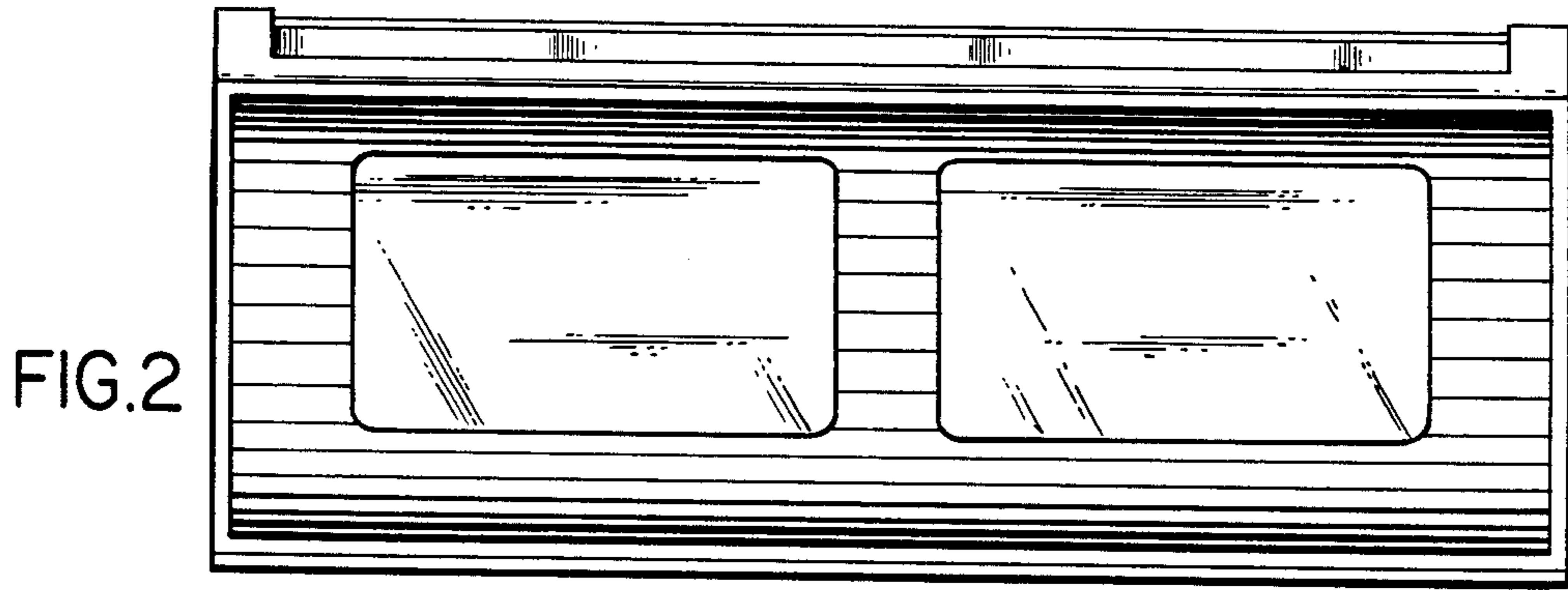


FIG. 2

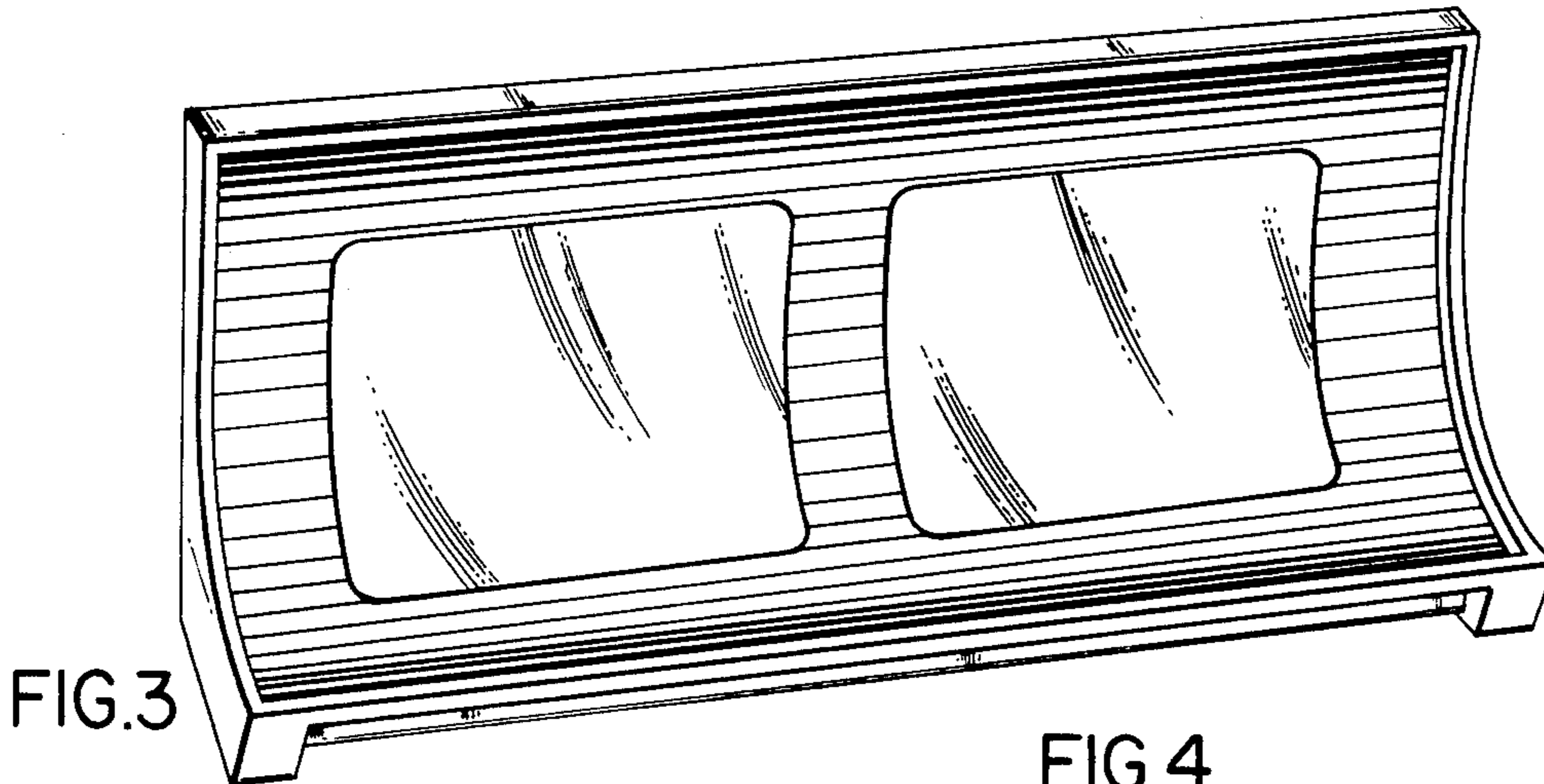


FIG. 3

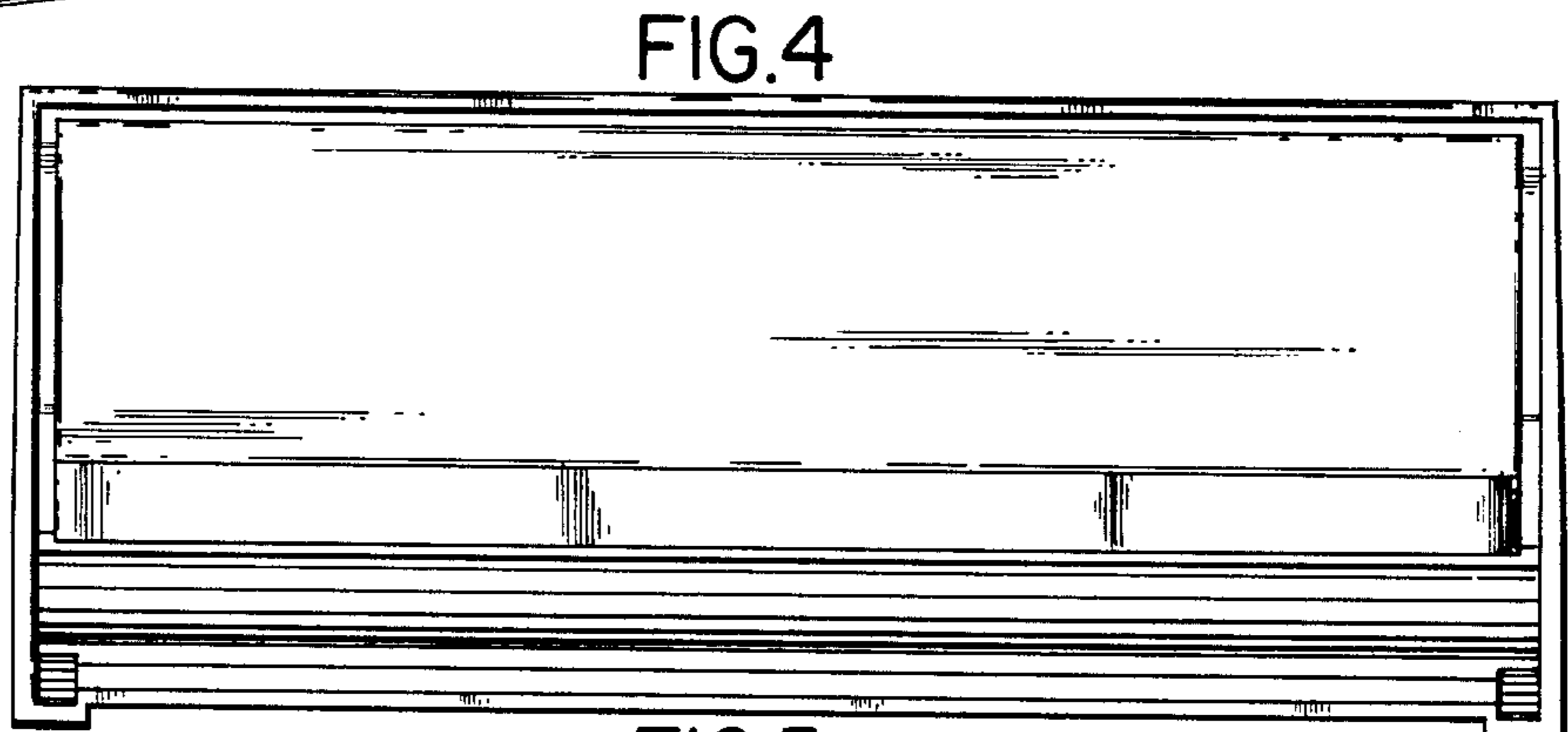


FIG. 4

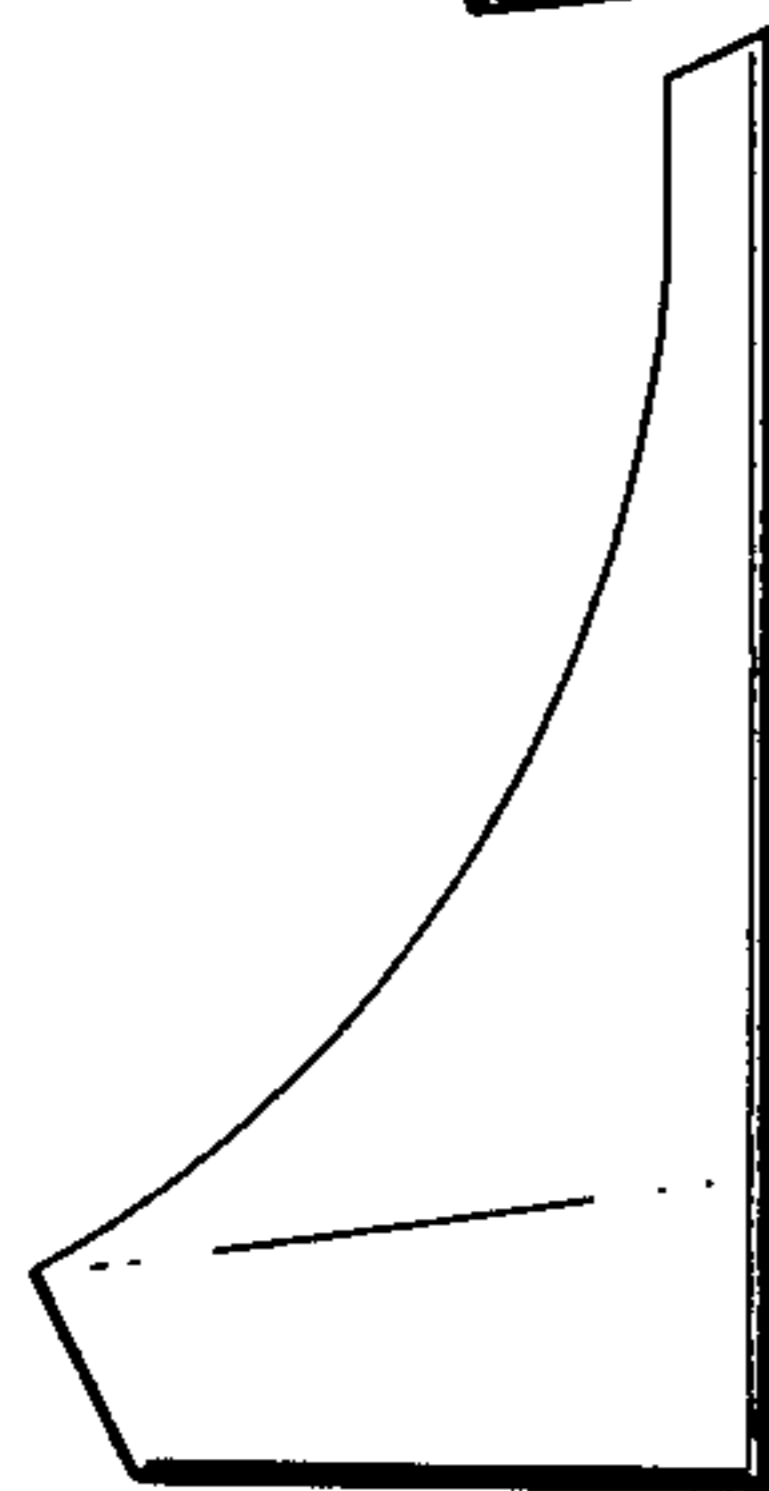


FIG. 6

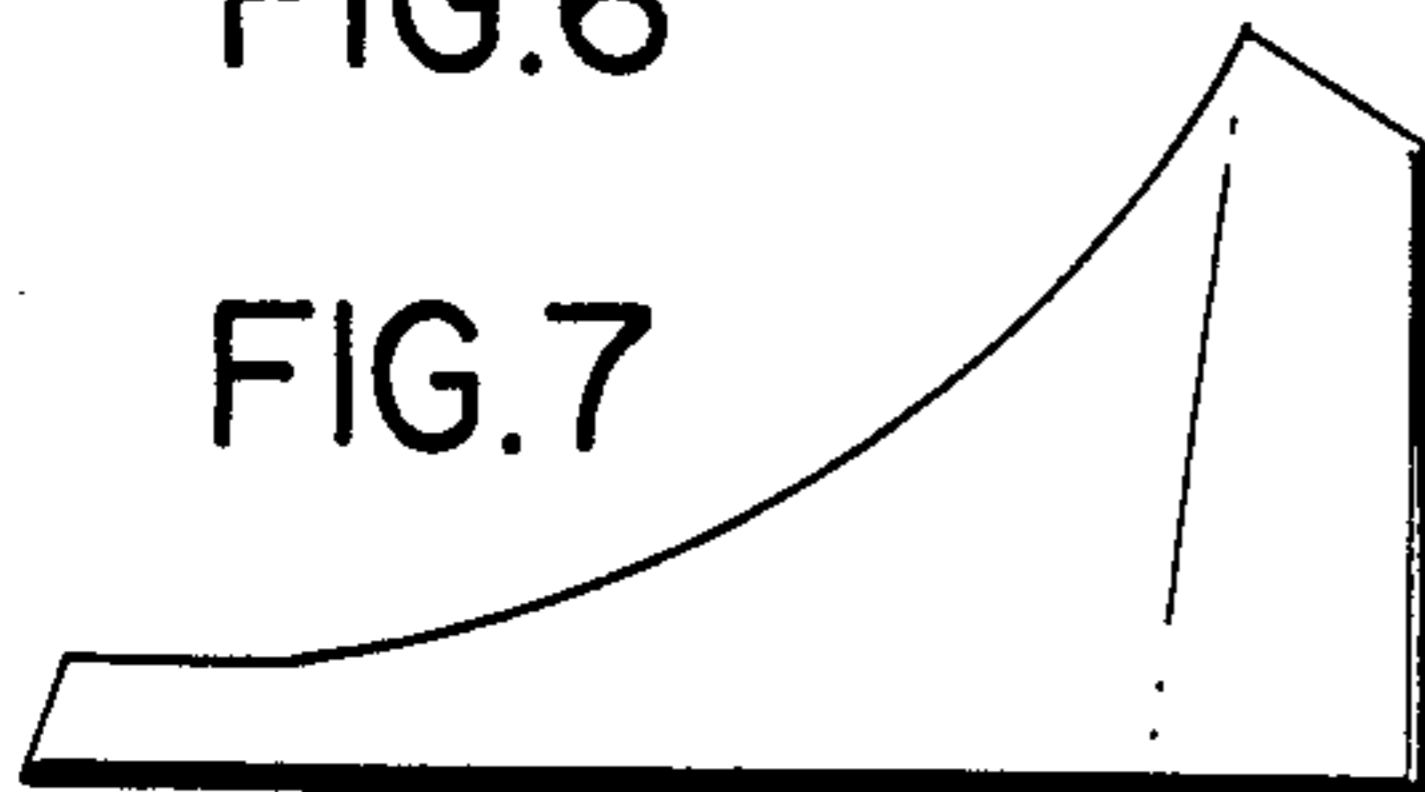


FIG. 7

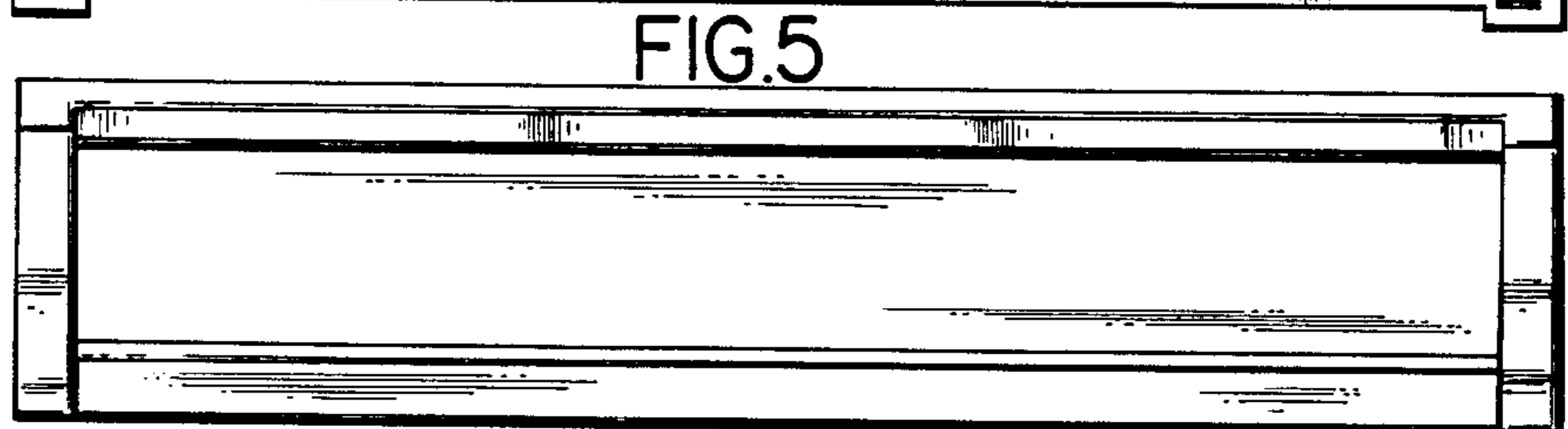


FIG. 5