

- [54] **BASE FOR A CHAIR**
- [75] **Inventor:** Gregory S. Gabourie, Ajax, Canada
- [73] **Assignee:** Global Upholstery Company Limited
- [**] **Term:** 14 Years
- [21] **Appl. No.:** 669,502
- [22] **Filed:** Mar. 23, 1976
- [30] **Foreign Application Priority Data**
Sept. 30, 1975 Canada 3009751
- [51] **Int. Cl.** D6—06
- [52] **U.S. Cl.** D6/196
- [58] **Field of Search** D6/20, 29, 30, 31, 146,
D6/175, 177, 178, 179, 191, 196; 297/445, 313,
314

[56] **References Cited**

U.S. PATENT DOCUMENTS

| | | | |
|------------|---------|----------------|--------|
| D. 231,286 | 4/1974 | Dittert | D6/31 |
| D. 236,061 | 7/1975 | Tacke | D6/196 |
| D. 240,375 | 7/1976 | Buhk | D6/30 |
| D. 241,288 | 9/1976 | Tacke | D6/31 |
| D. 242,592 | 12/1976 | Gabourie | D6/196 |

Primary Examiner—Bruce W. Dunkins
Attorney, Agent, or Firm—W. E. H. Dale

[57] **CLAIM**
The ornamental design for a base for a chair, as shown.

DESCRIPTION
FIG. 1 is a perspective view of a base for a chair, from above and one side thereof showing my new design; and FIG. 2 is a further perspective view of the base, from beneath and one side.

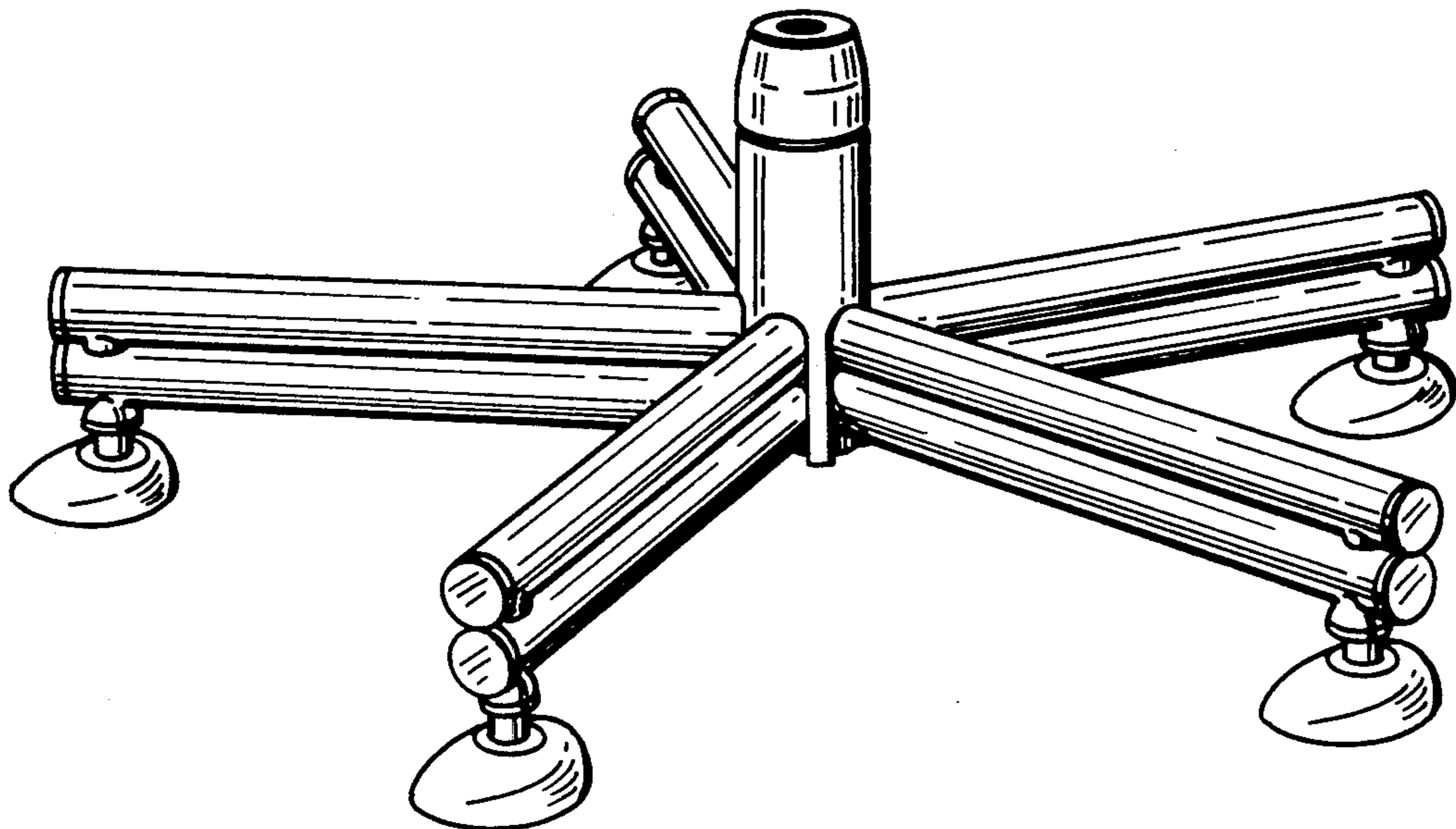


FIG. 1

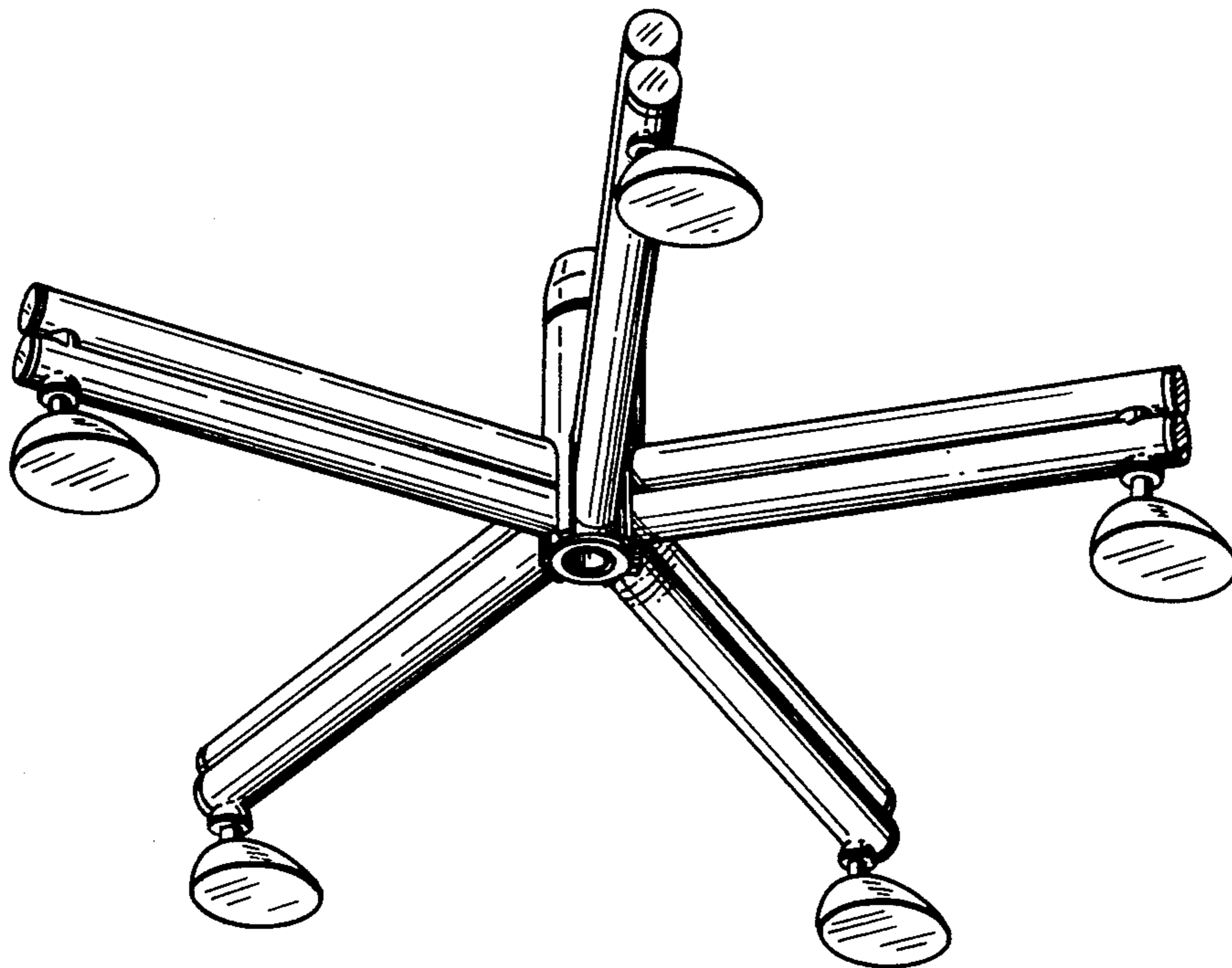
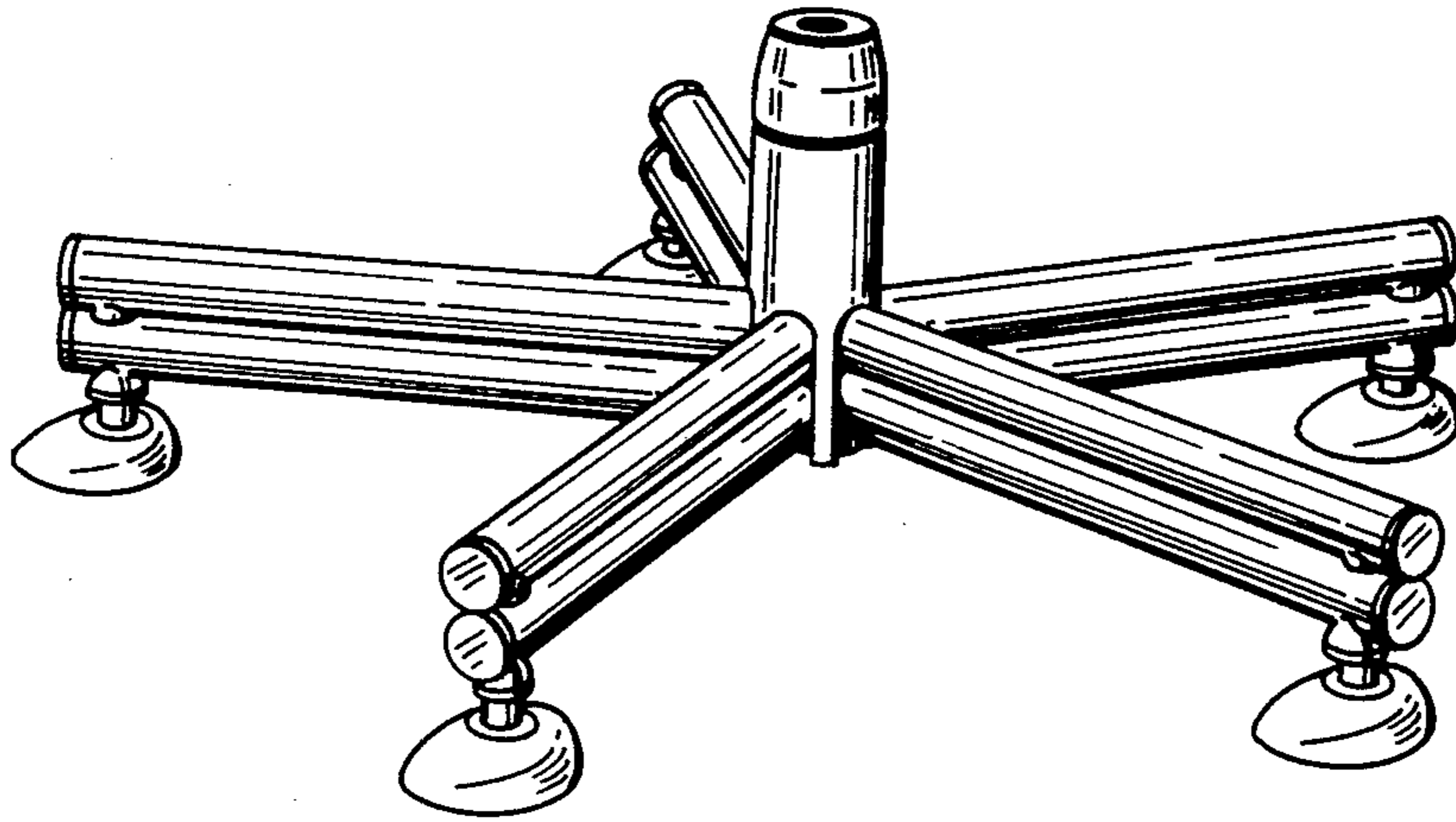


FIG. 2