

[54] DISPLAY BRACKET TO BE USED WITH PERFORATED SUPPORTS OR THE LIKE

[76] Inventor: Donald T. Crysdale, 2800 E. Edgewood Ave., Shorewood, Wis. 53211

[**] Term: 14 Years

[21] Appl. No.: 636,081

[22] Filed: Nov. 28, 1975

[51] Int. Cl. D20—02; D8—08

[52] U.S. Cl. D6/114

[58] Field of Search D6/85, 114, 115, 125, D6/130, 132, 134, 135, 136, 139; D8/255; 248/223, DIG. 3

[56] References Cited

U.S. PATENT DOCUMENTS

2,614,701	10/1952	Mapson	D6/114
3,070,339	12/1962	Schayer	D8/255
D. 225,509	12/1972	Charlton	D6/125

Primary Examiner—Wallace R. Burke

Assistant Examiner—B. J. Bullock

Attorney, Agent, or Firm—Daniel D. Fetterley

[57] CLAIM

The ornamental design for a display bracket to be used with perforated supports or the like, as shown and described.

DESCRIPTION

FIG. 1 is a perspective view generally from the front of my new design for a display bracket to be used with perforated supports, or the like showing my new design;

FIG. 2 is a side elevational view of the display bracket with the suspended portion of the bracket in an alternative position and broken away in part for ease of illustration;

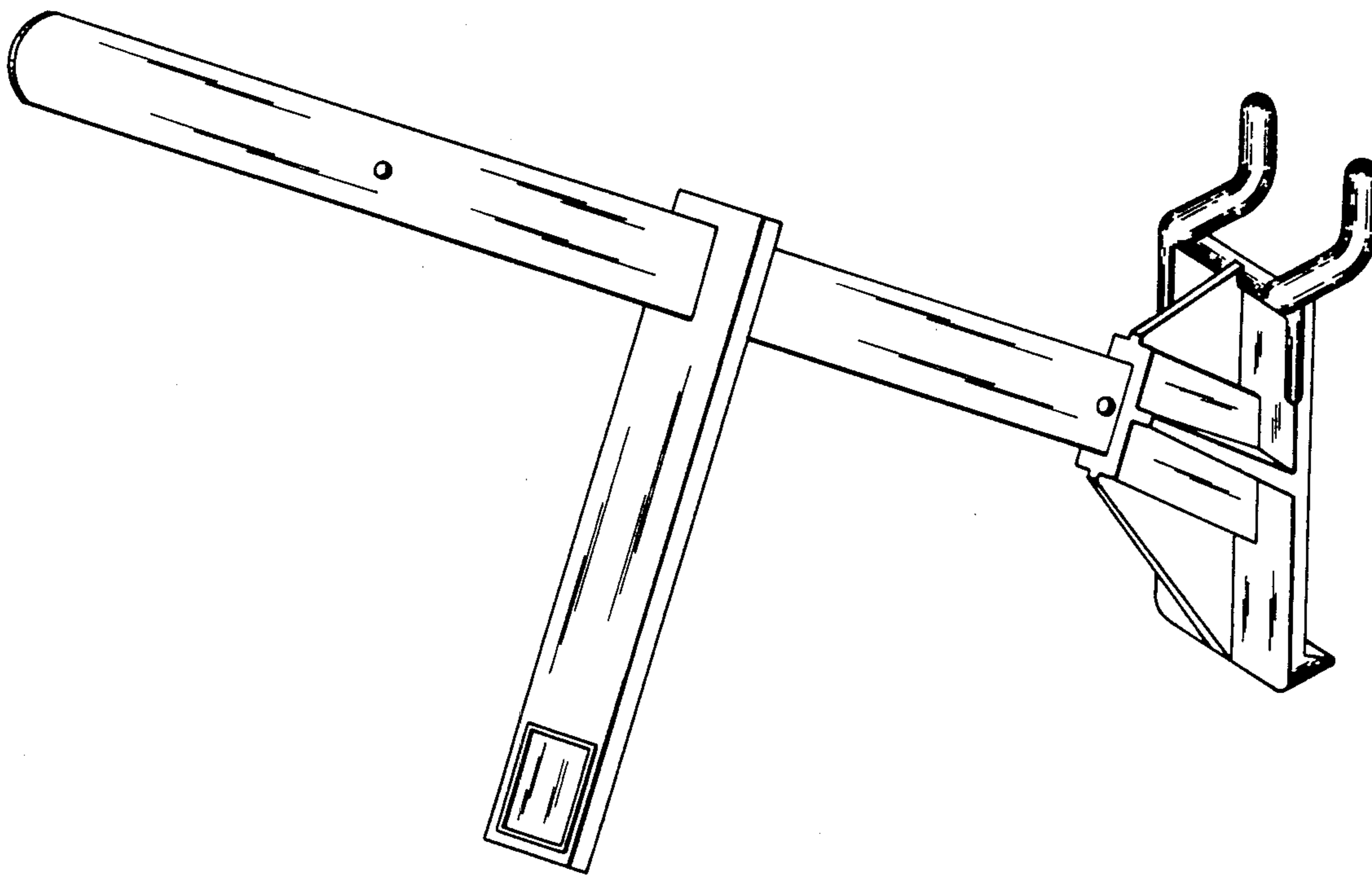
FIG. 3 is a front sectional view taken on line 3—3 of FIG. 2;

FIG. 4 is a fragmentary rear elevational view taken in the direction of line 4—4 of FIG. 2;

FIG. 5 is a top fragmentary view taken in the direction of line 5—5 of FIG. 2; and

FIG. 6 is a fragmentary bottom view taken in the direction of line 6—6 of FIG. 2.

The suspended element can be moved to alternative positions in alignment with the holes.



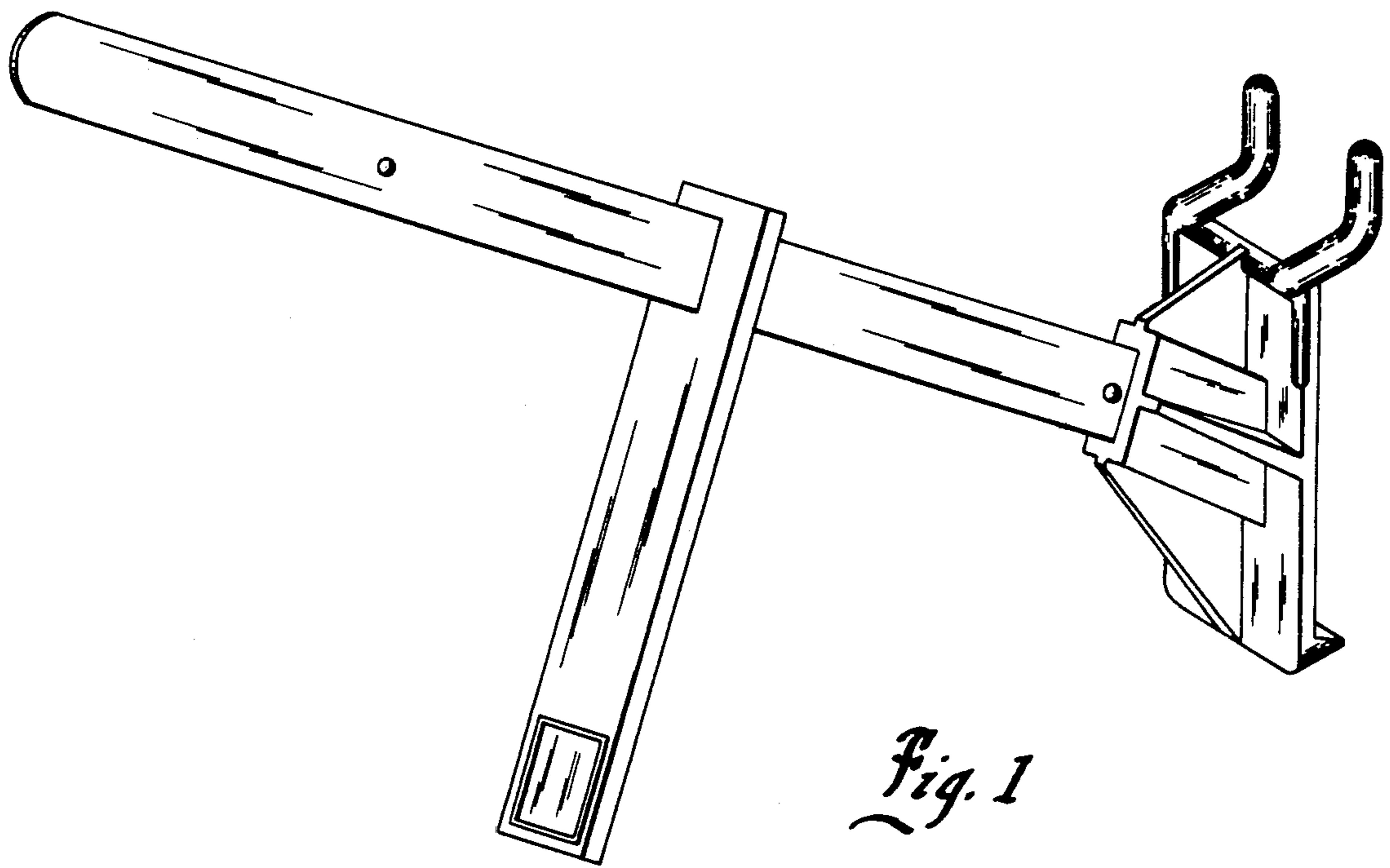


Fig. 1

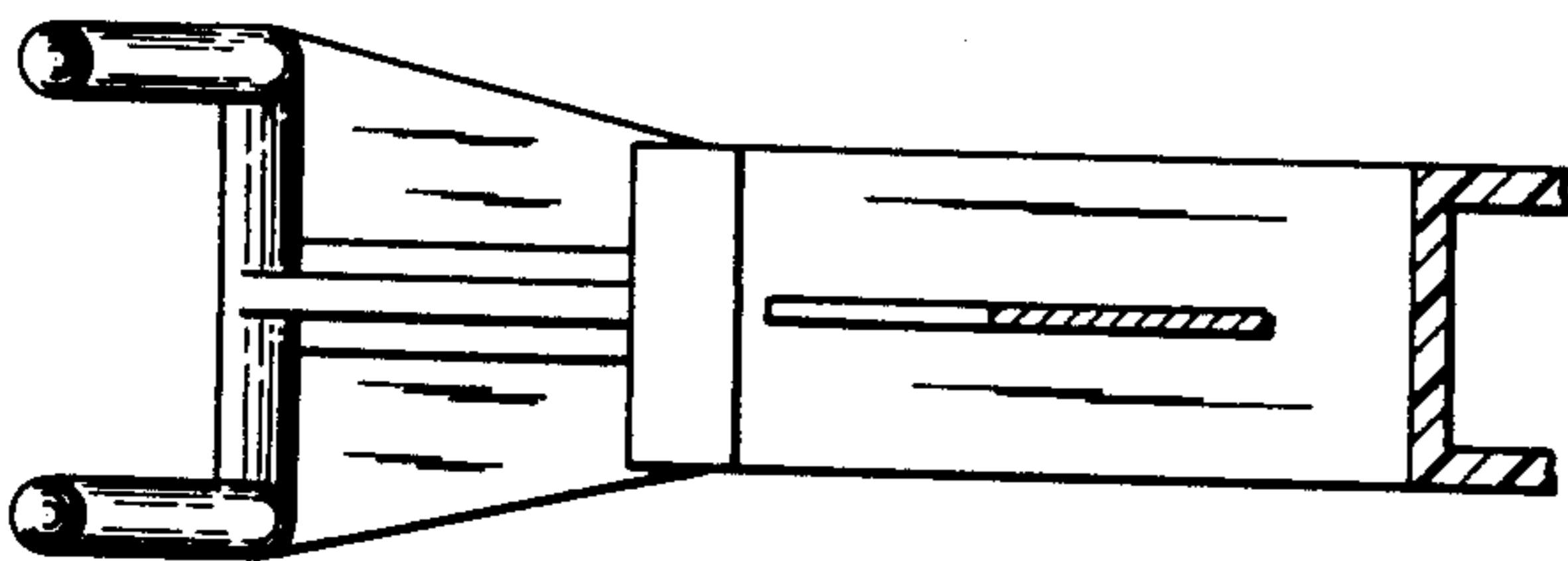


Fig. 5

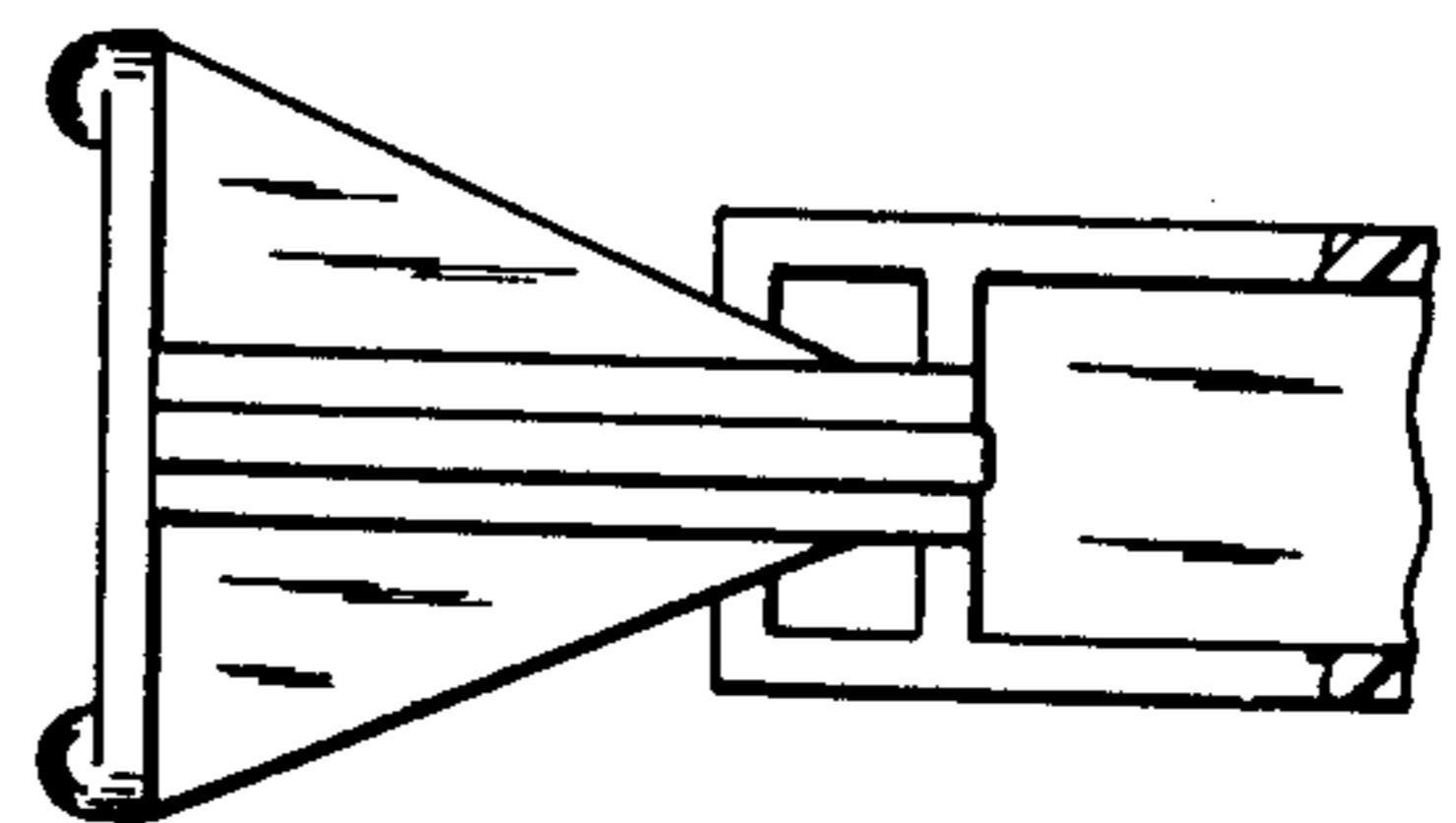


Fig. 6

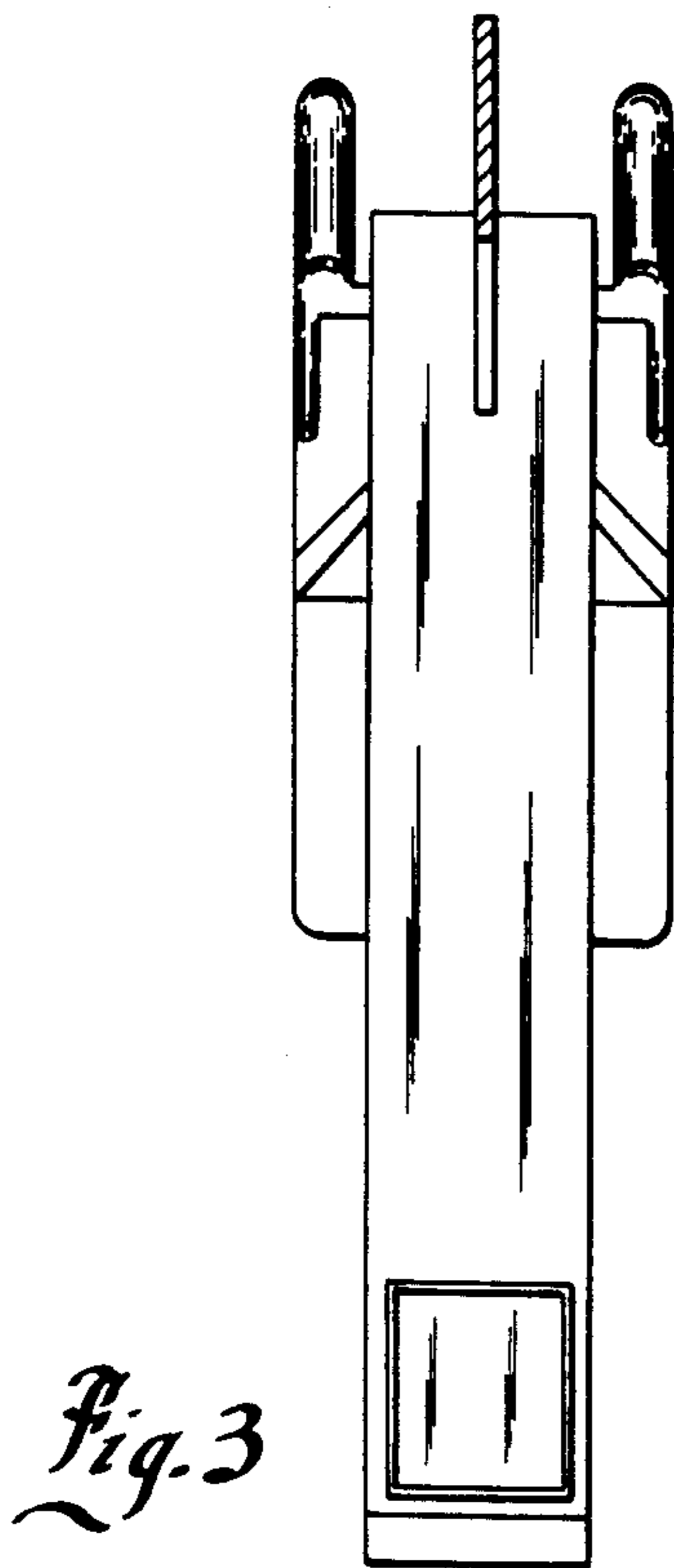


Fig. 3

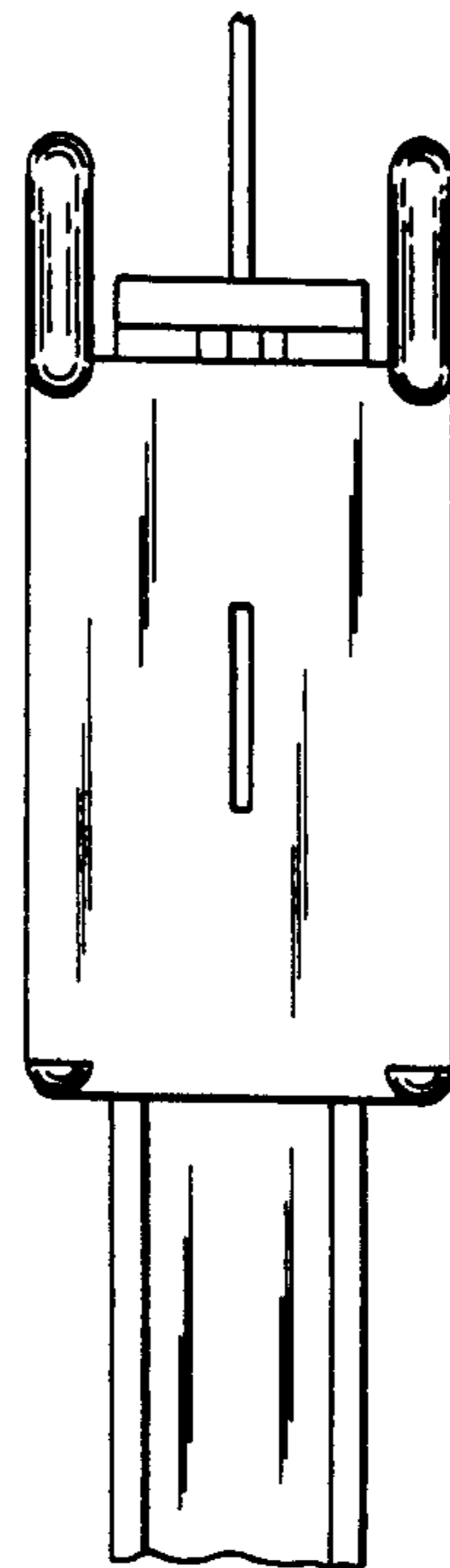


Fig. 4

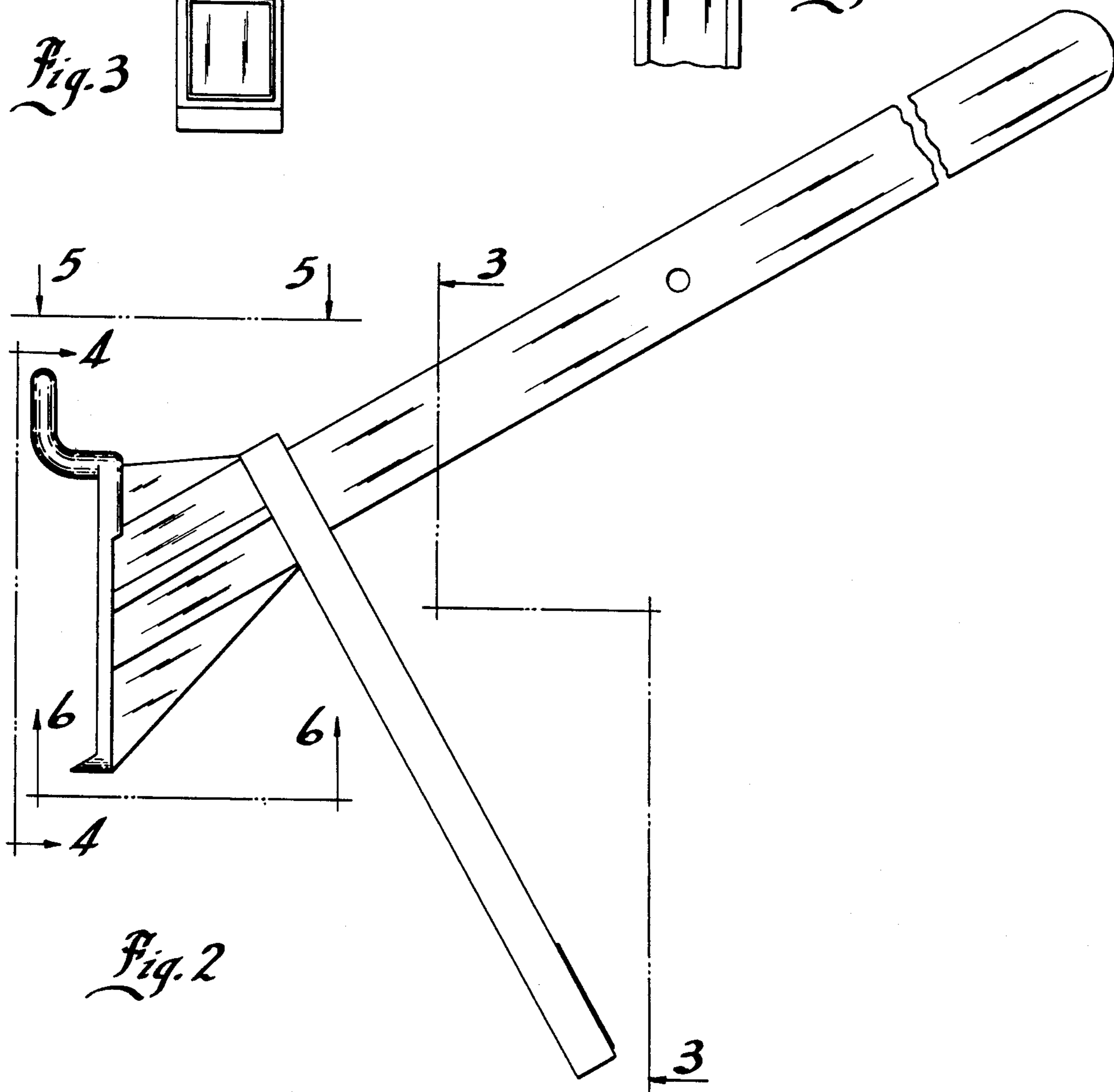


Fig. 2